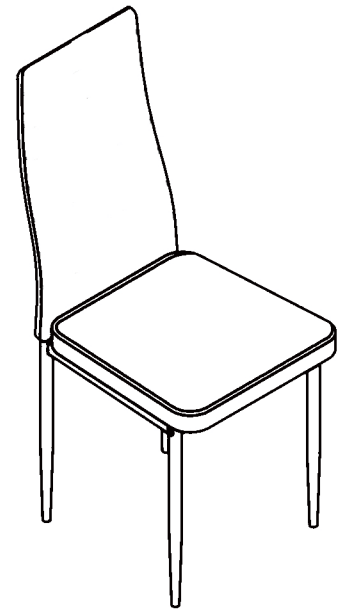
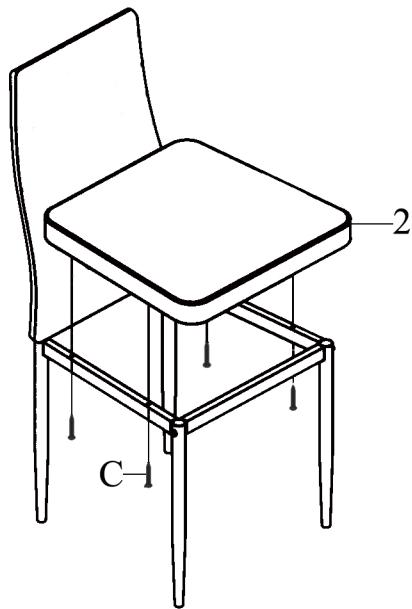
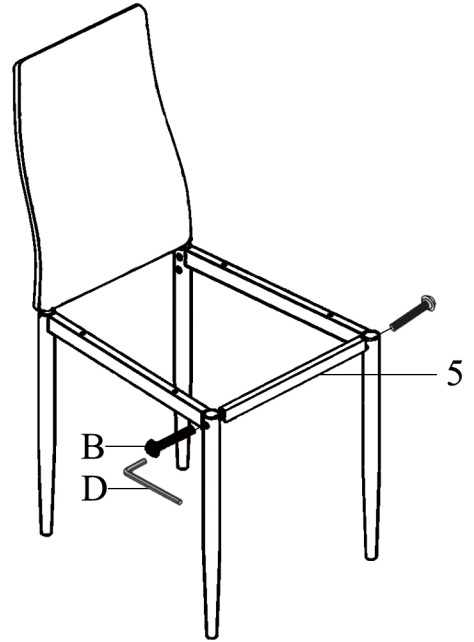
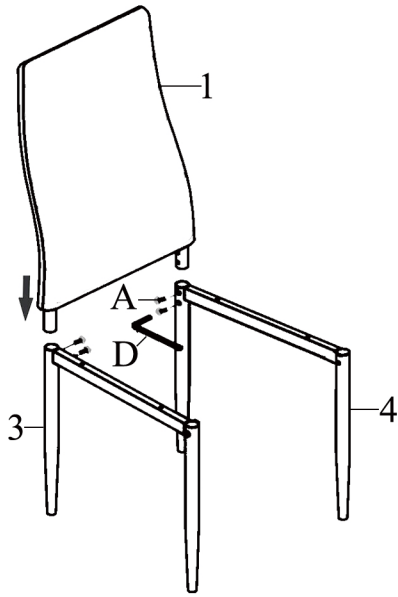


Do not fully tighten the bolts at this stage



1		4	
	x1		x1
2		5	
	x1		x1
3			
	x1		

	M6X13MM		M6X40MM
A		B	
	x4		x2
	M4X45MM		
C		D	
	x4		x1