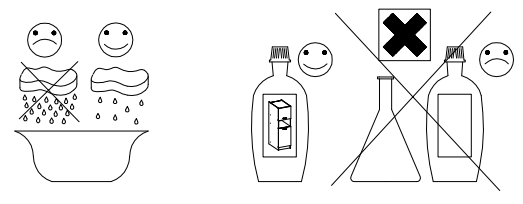
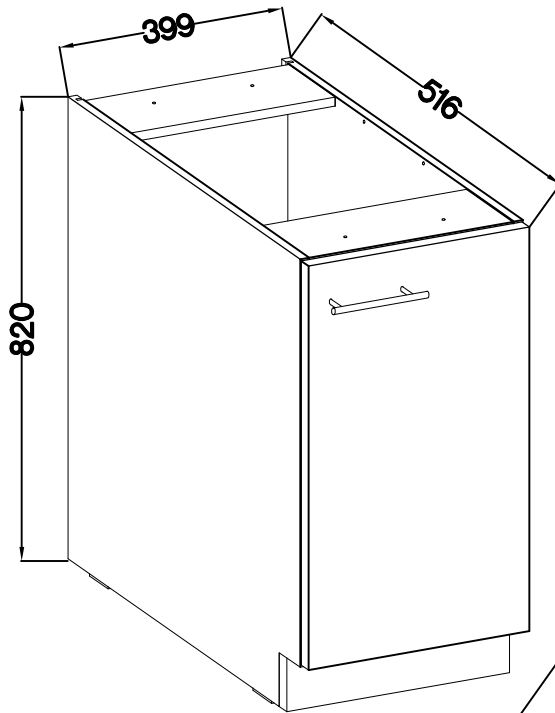


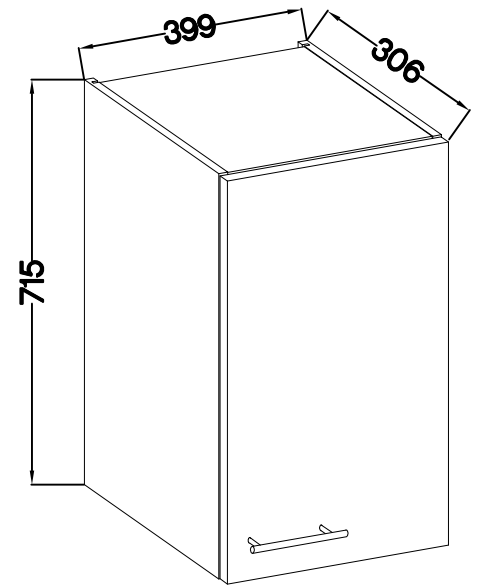
40 D 1F BB  
 40 G-72 1F  
 58x58 GN-72 1F  
 FRONT



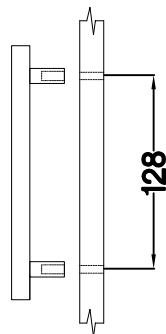
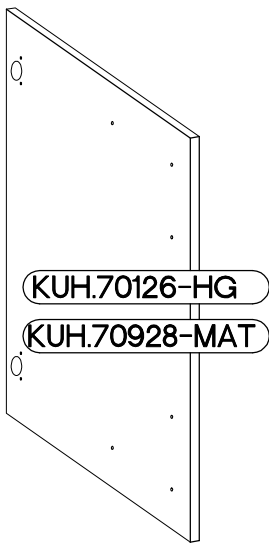
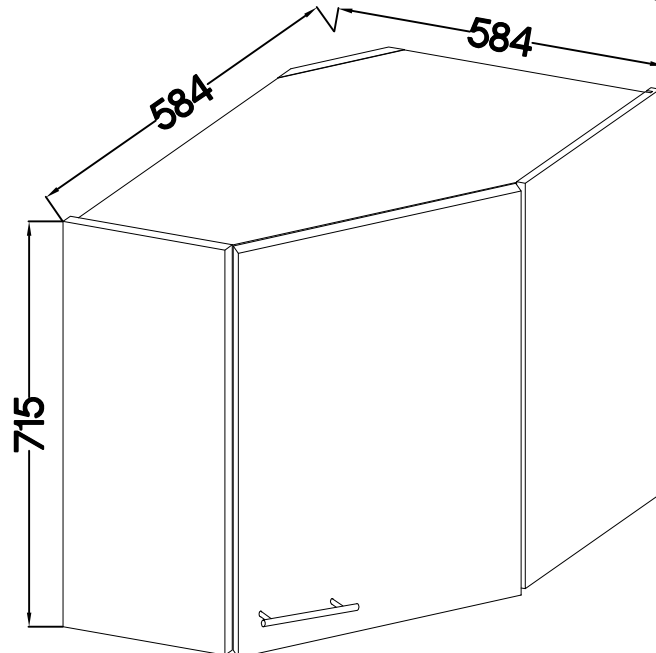
40 D 1F BB





40 G-72 1F



58x58 GN-72 1F



M4x22mm	L=128mm
	
U	S
2	1

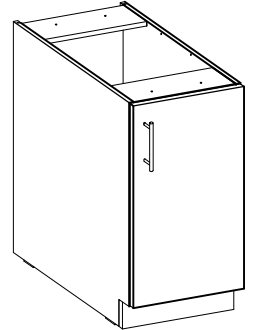
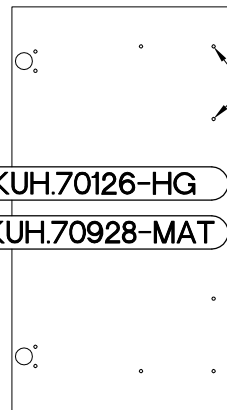
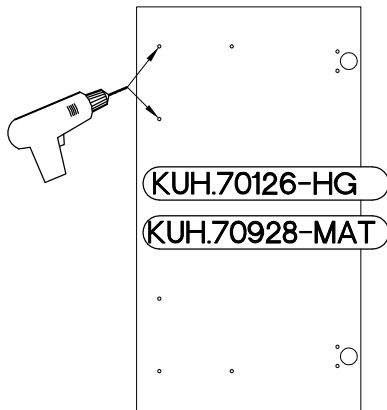
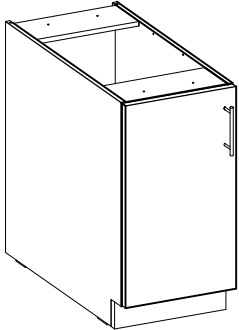
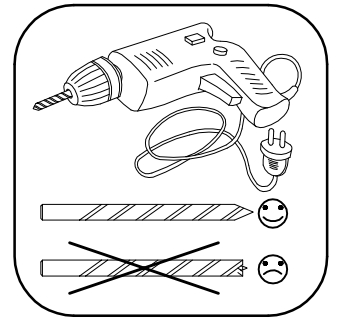
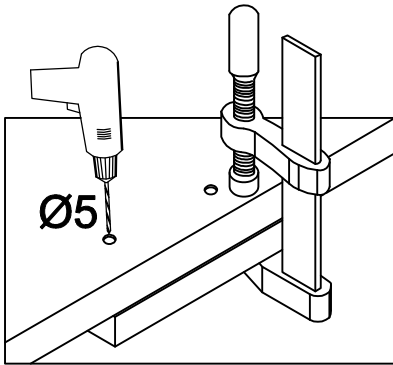
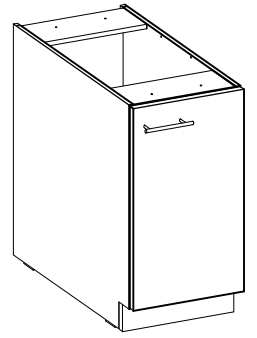
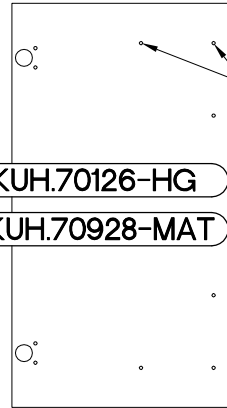
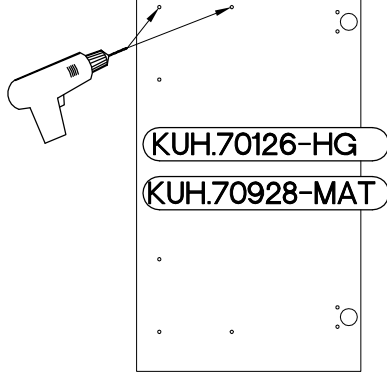
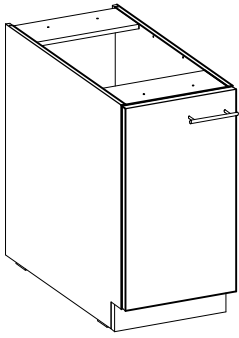
# 1 40 D 1F BB





LEFT

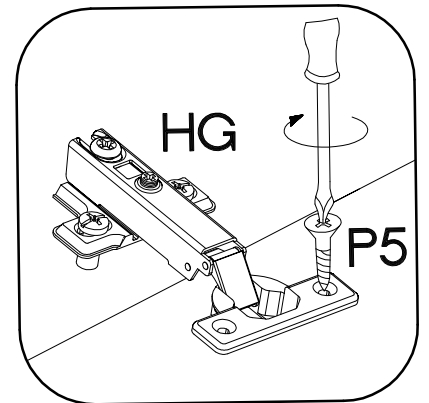
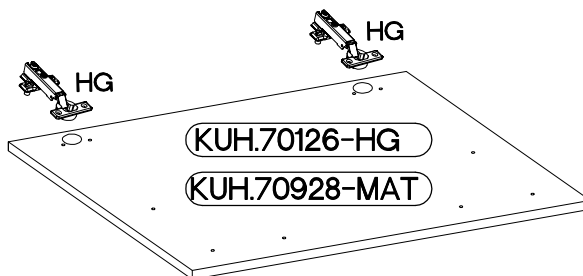


RIGHT


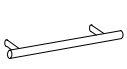


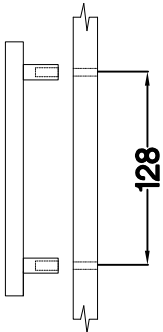
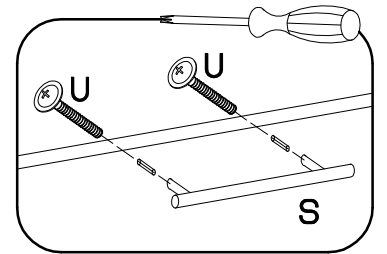
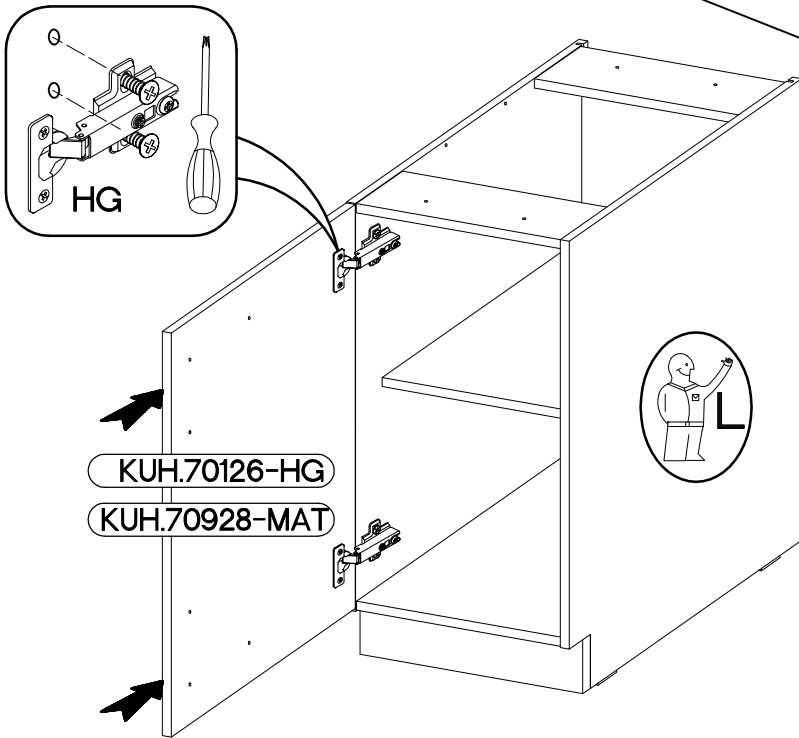
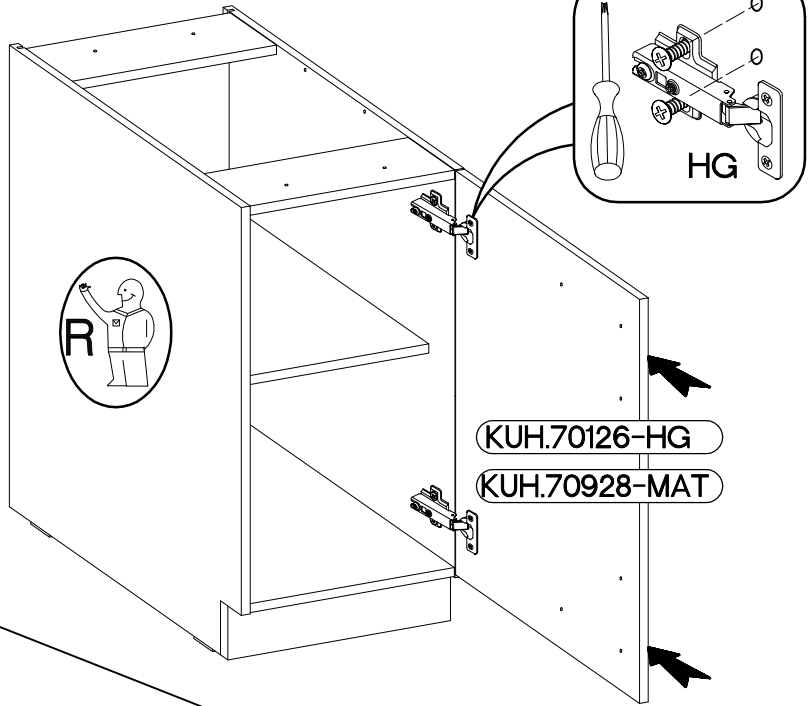
# 2

 †35/0mm [CD] HG 2	 †3.5x13mm P5 4
--	---

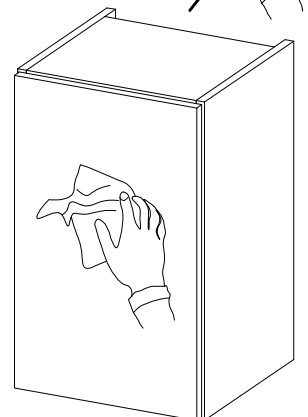
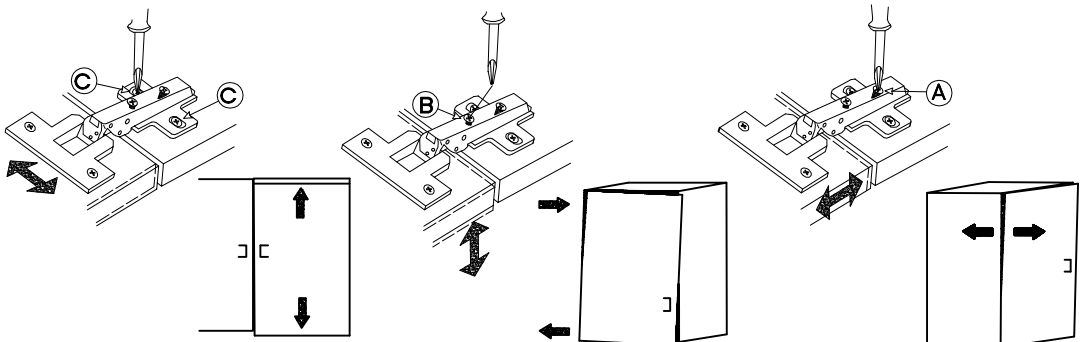
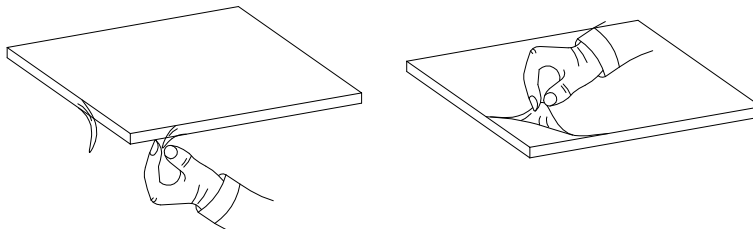


3

M4x22mm	L=128mm
	
U	S
2	1



### VARIANT HIGH GLOSS



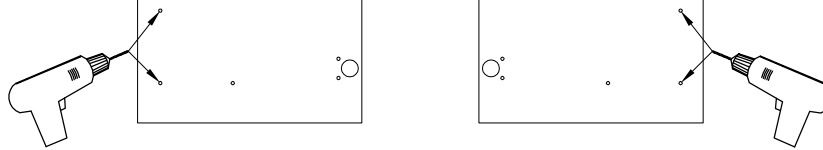
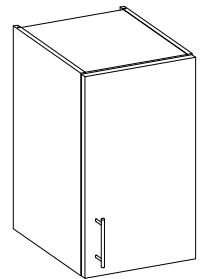
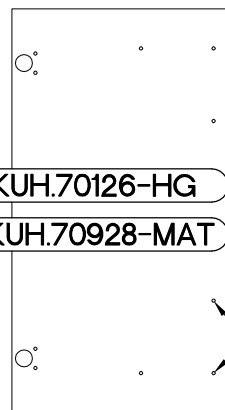
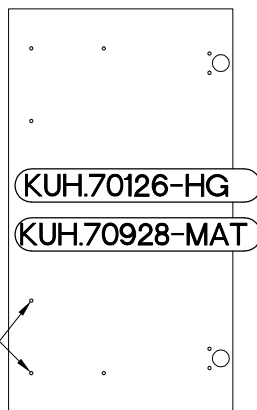
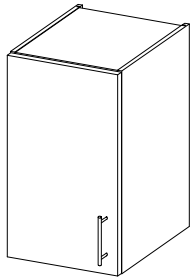
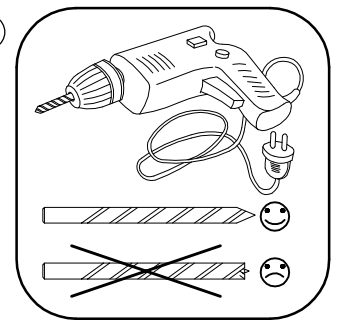
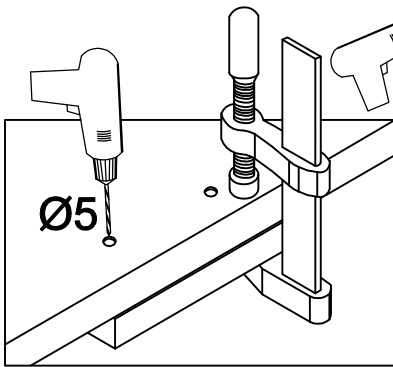
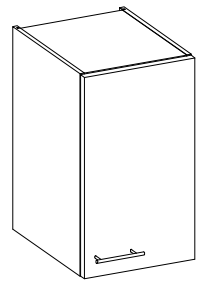
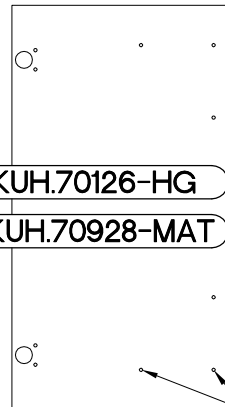
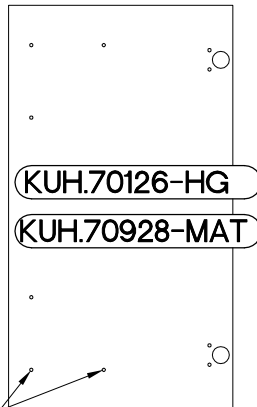
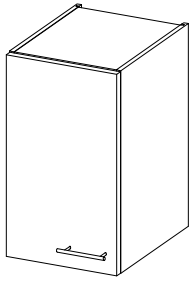
# 4 40 G-72 1F





LEFT

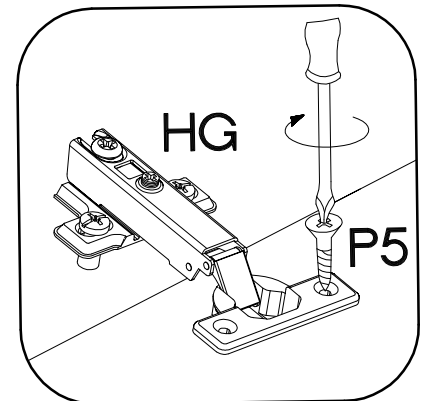
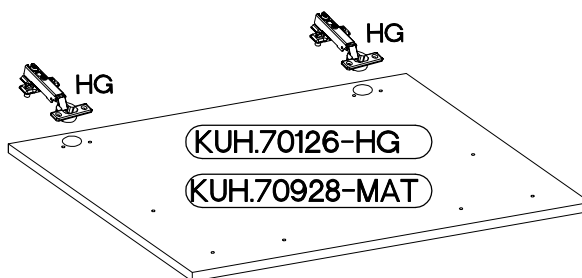


RIGHT





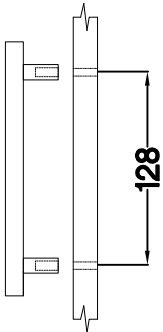
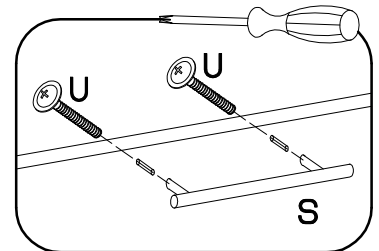
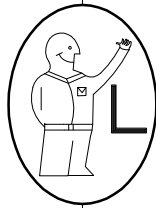
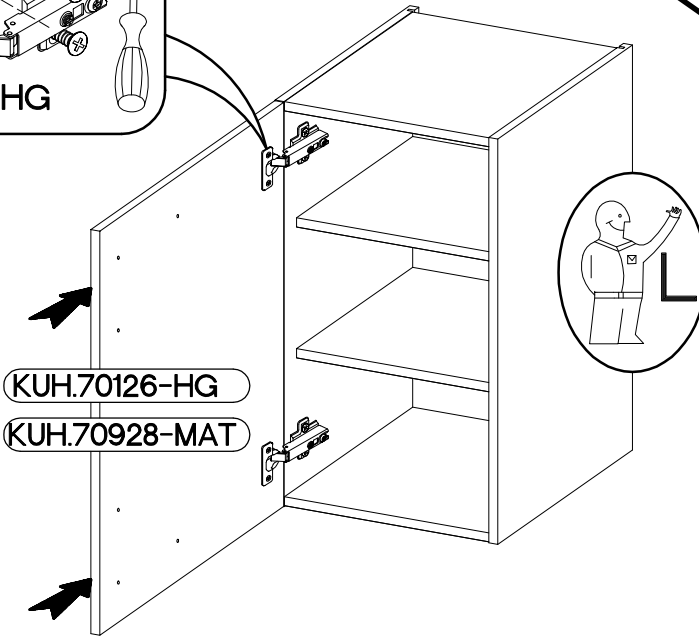
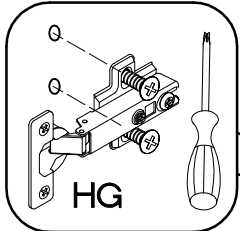
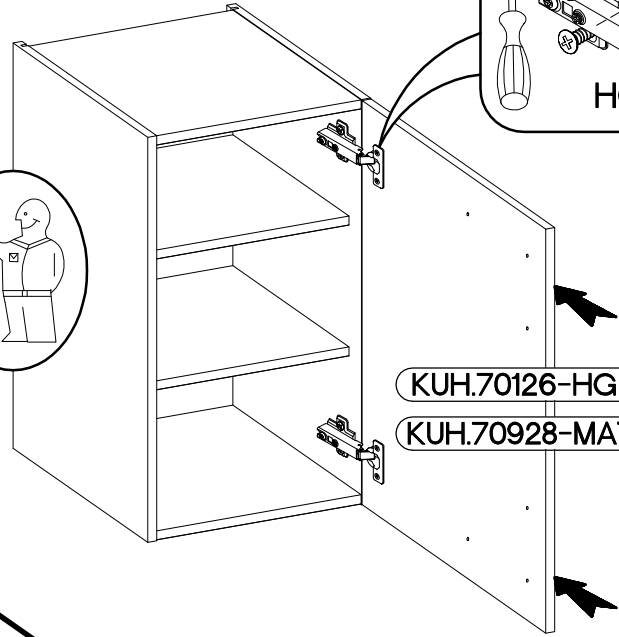
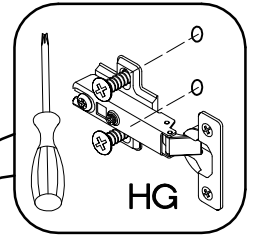
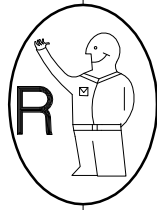
# 5

 †35/0mm [CD] HG 2	 †3.5x13mm P5 4
--	---

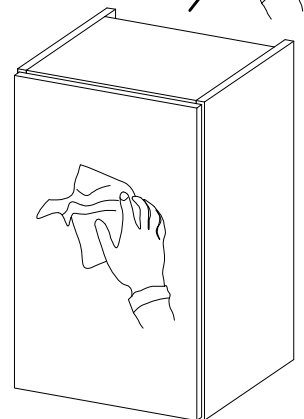
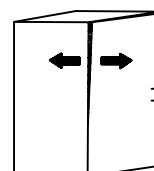
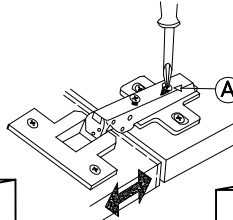
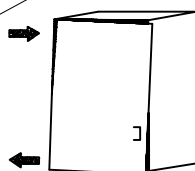
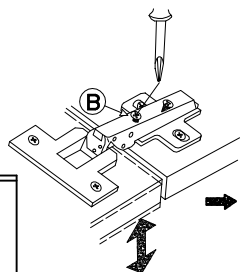
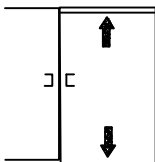
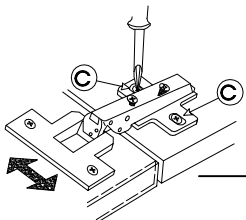
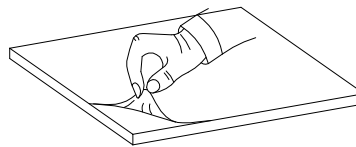
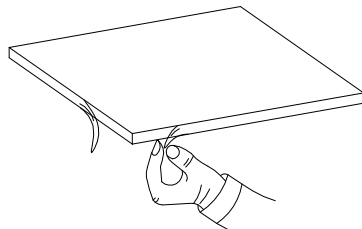


6

M4x22mm	L=128mm
 U	 S
2	1



VARIANT HIGH GLOSS

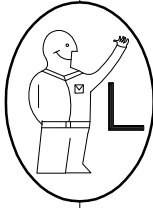
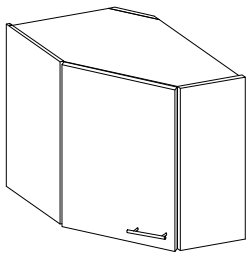


# 7

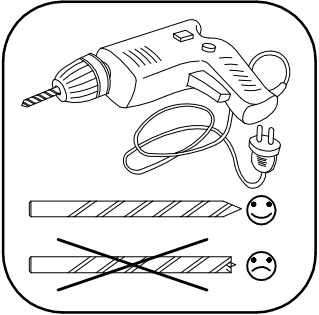
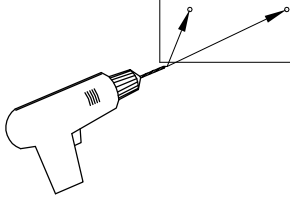
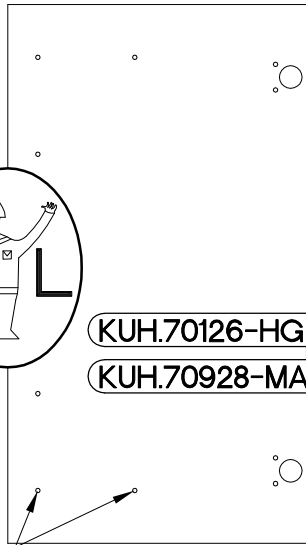
58x58 GN-72 1F

LEFT

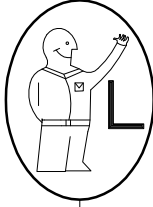
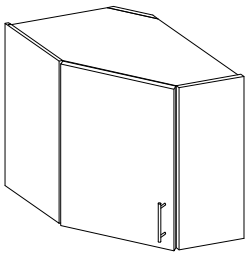
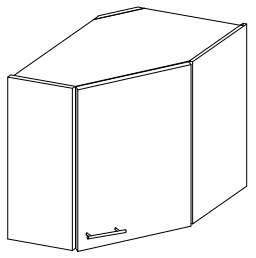
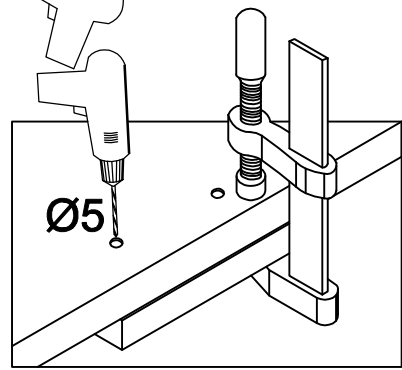
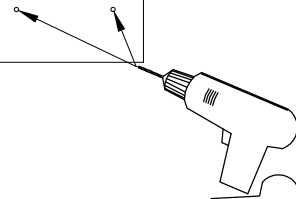
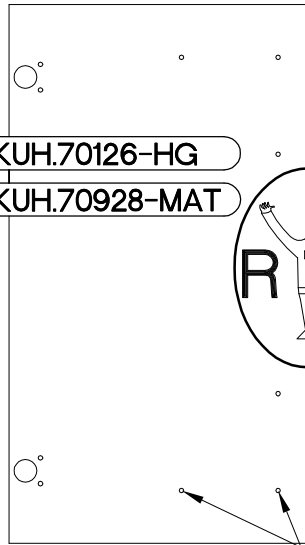
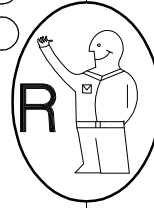
RIGHT



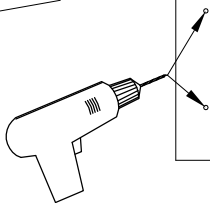
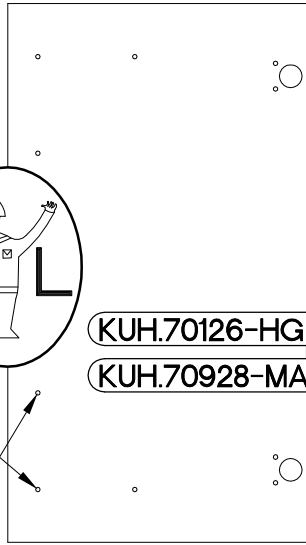
KUH.70126-HG  
KUH.70928-MAT



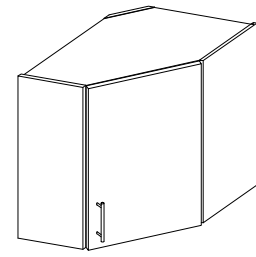
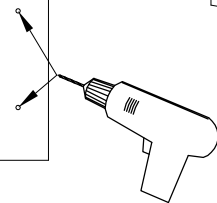
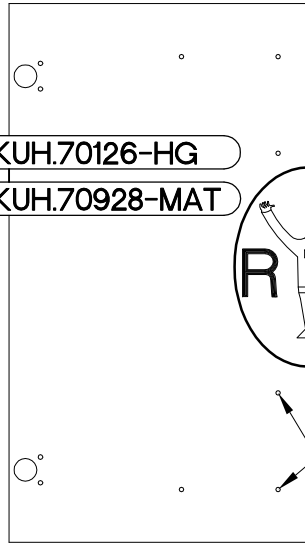
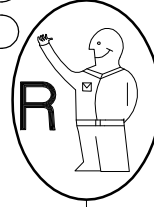
KUH.70126-HG  
KUH.70928-MAT



KUH.70126-HG  
KUH.70928-MAT

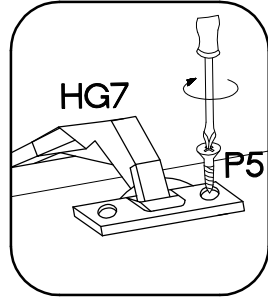
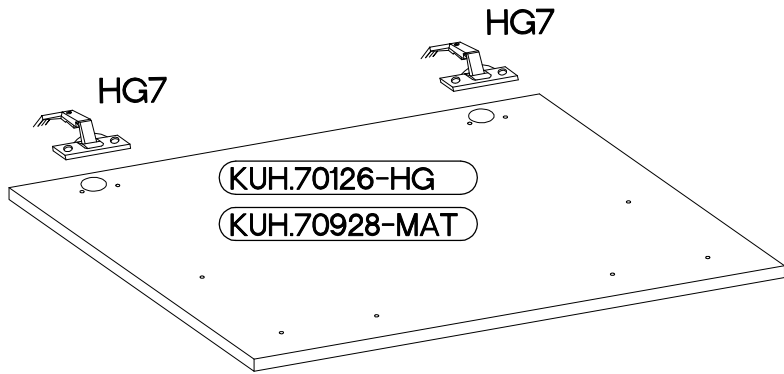


KUH.70126-HG  
KUH.70928-MAT


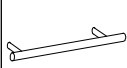


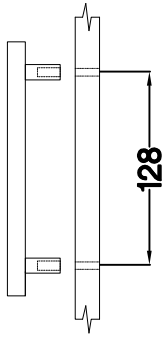
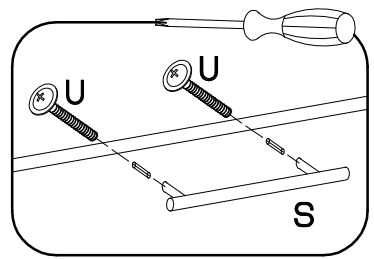
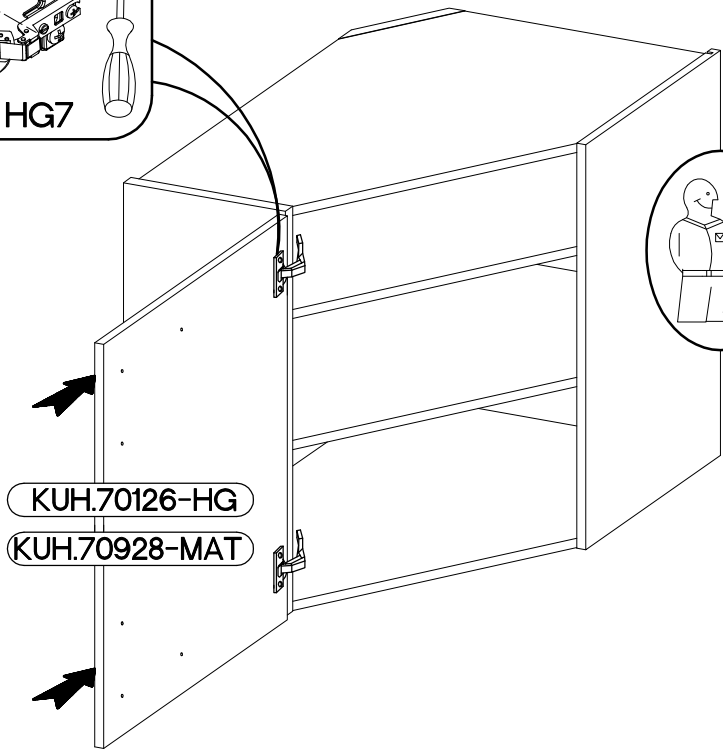
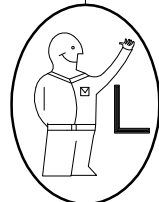
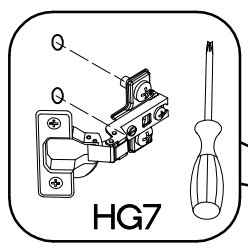
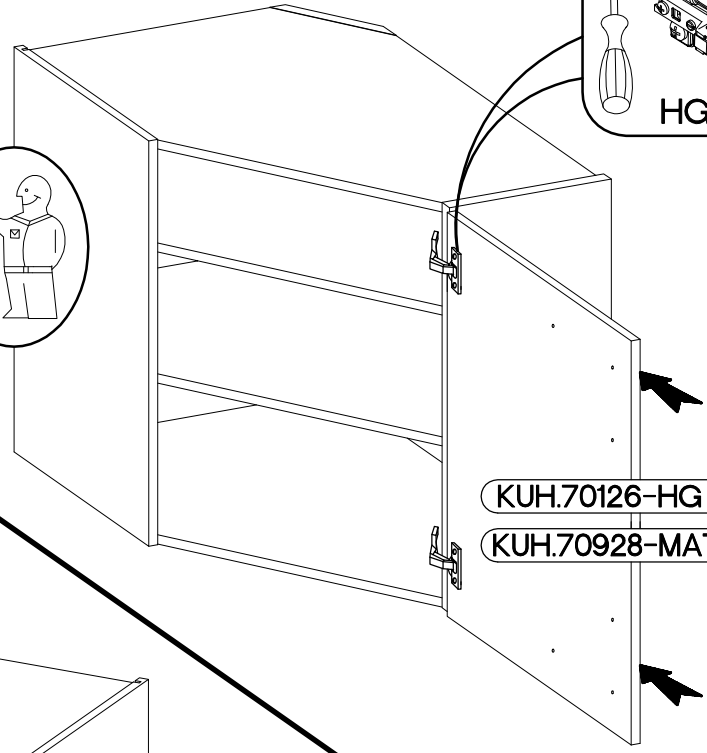
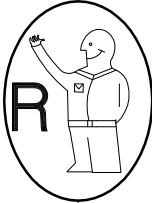
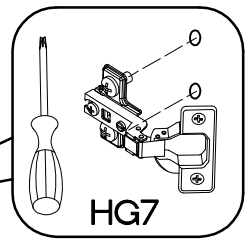
# 8

$\pm 35/45^\circ$ H=0	$\pm 3.5 \times 13 \text{mm}$
(CD) HG7	P5
2	4

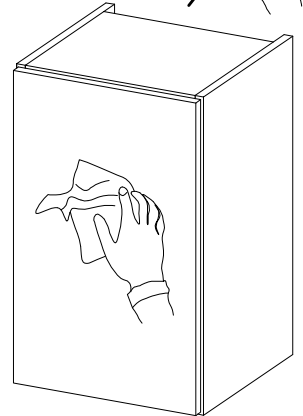
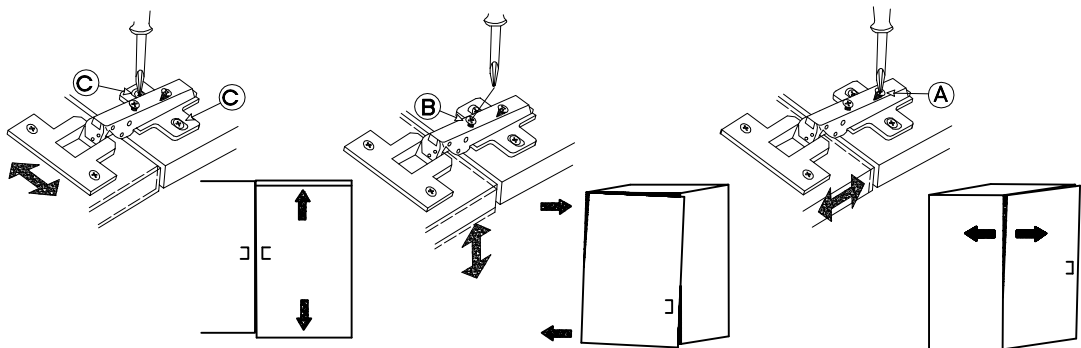
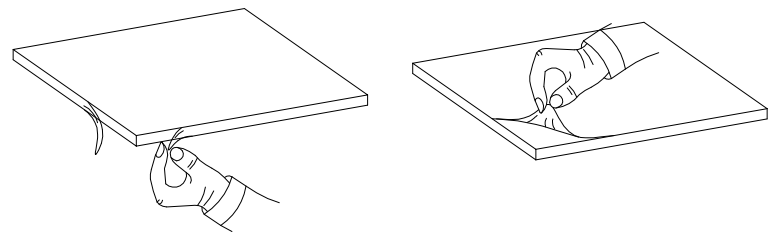


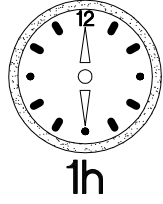
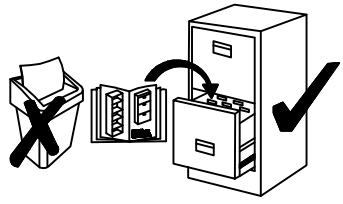
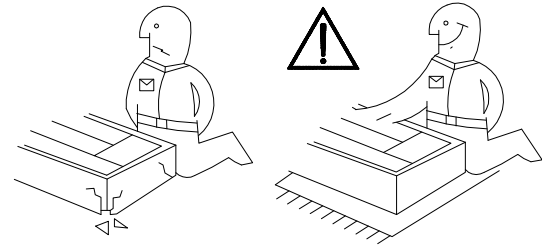
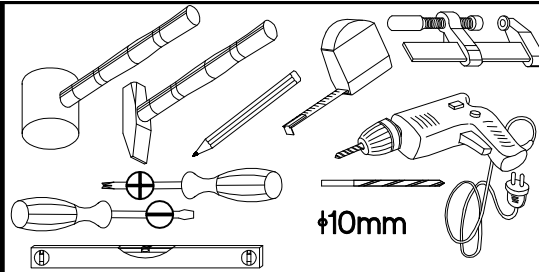
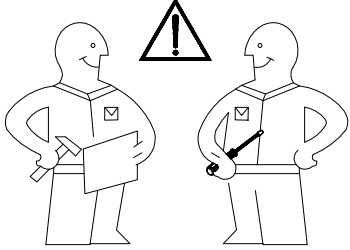
9

M4x22mm	L=128mm
	
U	S
2	1

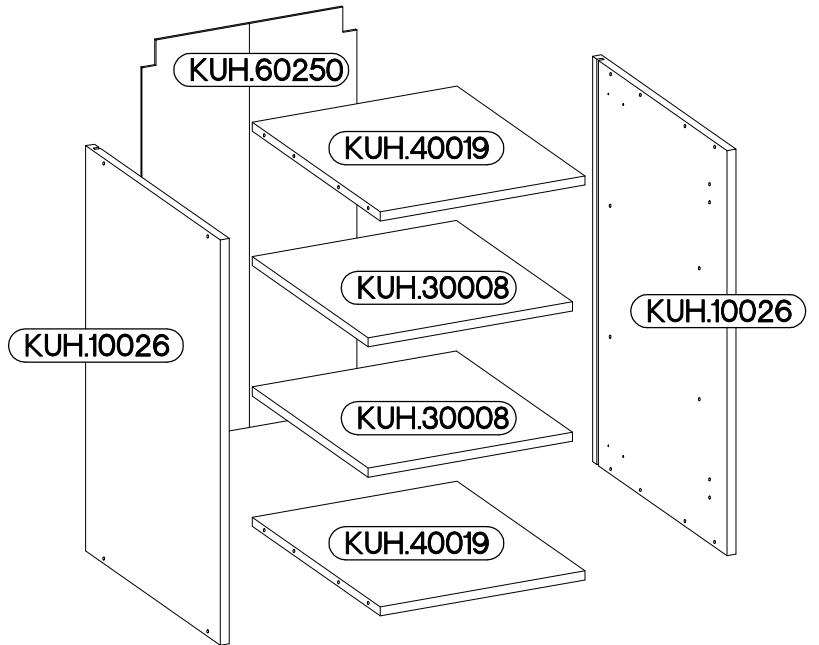
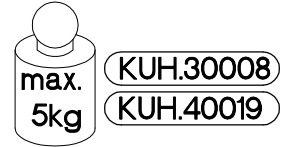
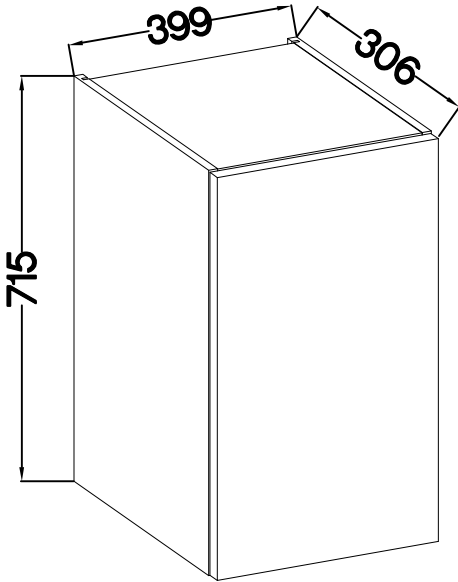
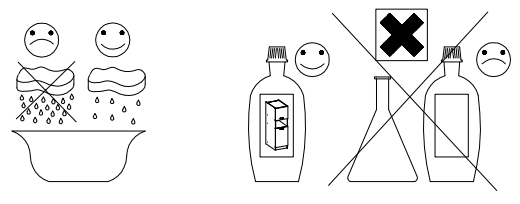


VARIANT HIGH GLOSS

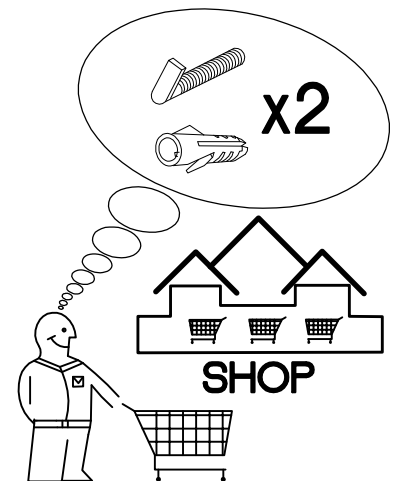




40 G-72 1F



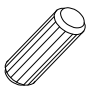
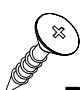
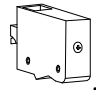
 $\pm 8 \times 30 \text{mm}$ <b>A</b> 8	 $6,4 \times 50 \text{mm}$ <b>B</b> 8	 <b>E1</b> 8	 $\pm 35 / 0 \text{mm}$ <b>[CD] HG</b> 2
 $\pm 5 / 19 \text{mm}$ <b>J</b> 8	 <b>K</b> 2	 <b>O</b> 1	 $\pm 3,5 \times 13 \text{mm}$ <b>P5</b> 4
			 $\pm 3,0 \times 20 \text{mm}$ <b>P7</b> 8-10
			 $\pm 4,0 \times 30 \text{mm}$ <b>P8</b> 4

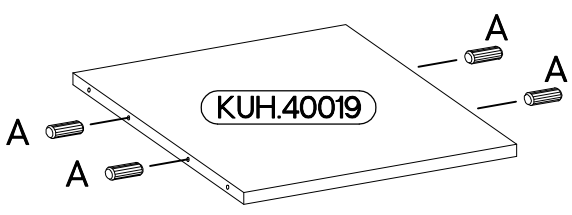
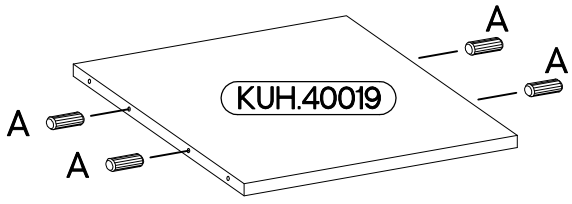
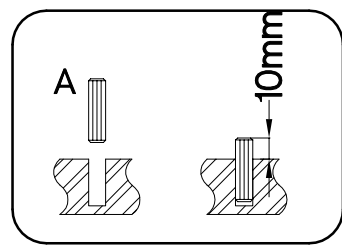
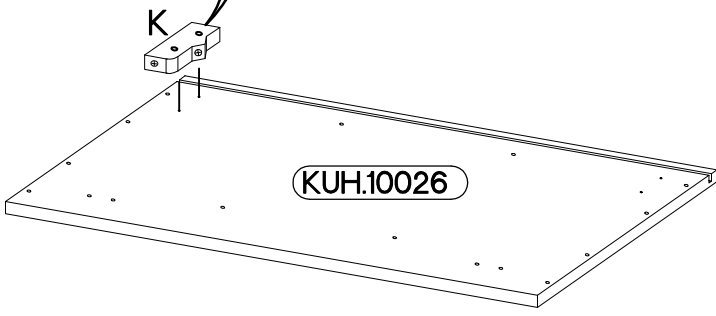
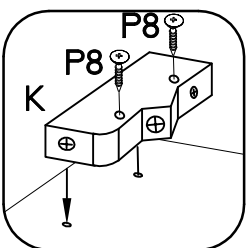
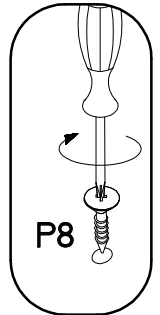
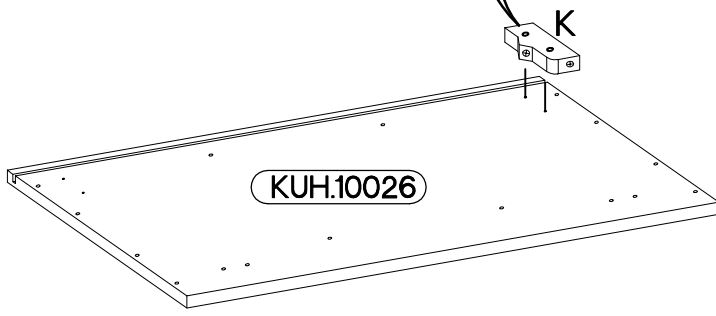
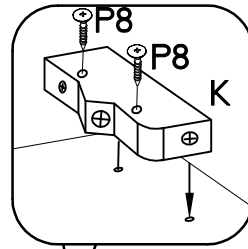
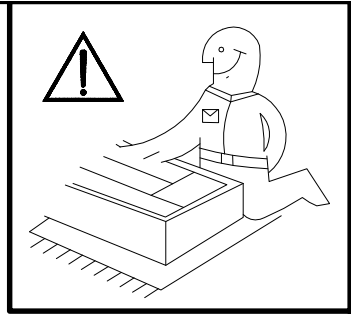


ISM-KUH-01615

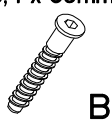
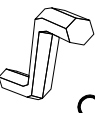
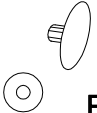


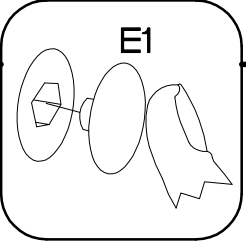
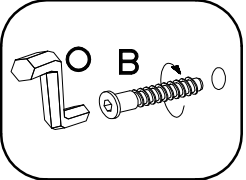
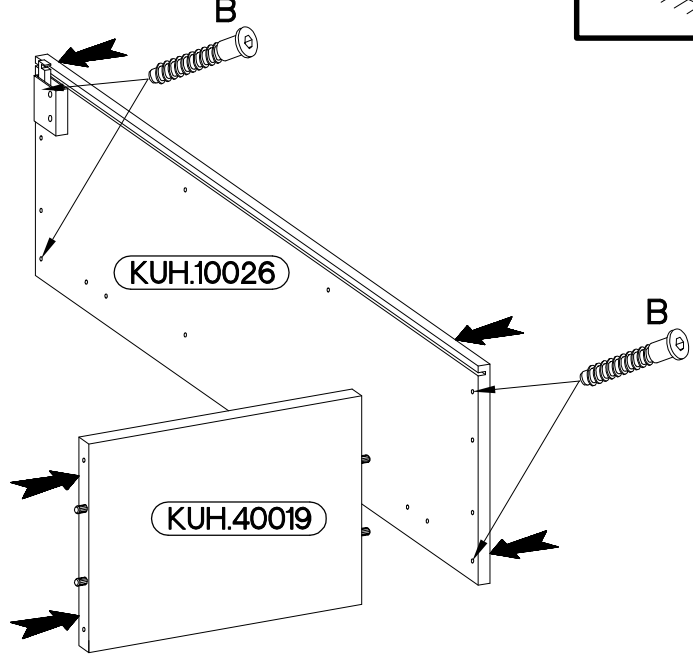
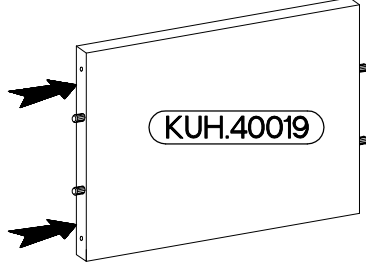
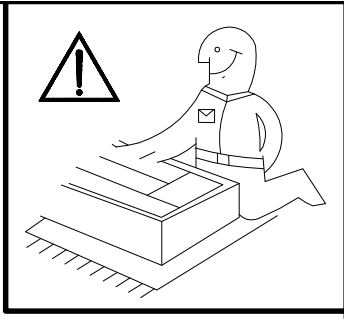
1

$\pm 8 \times 30 \text{mm}$  A 8	$\pm 4.0 \times 30 \text{mm}$  P8 4	 K 2
---	--	--

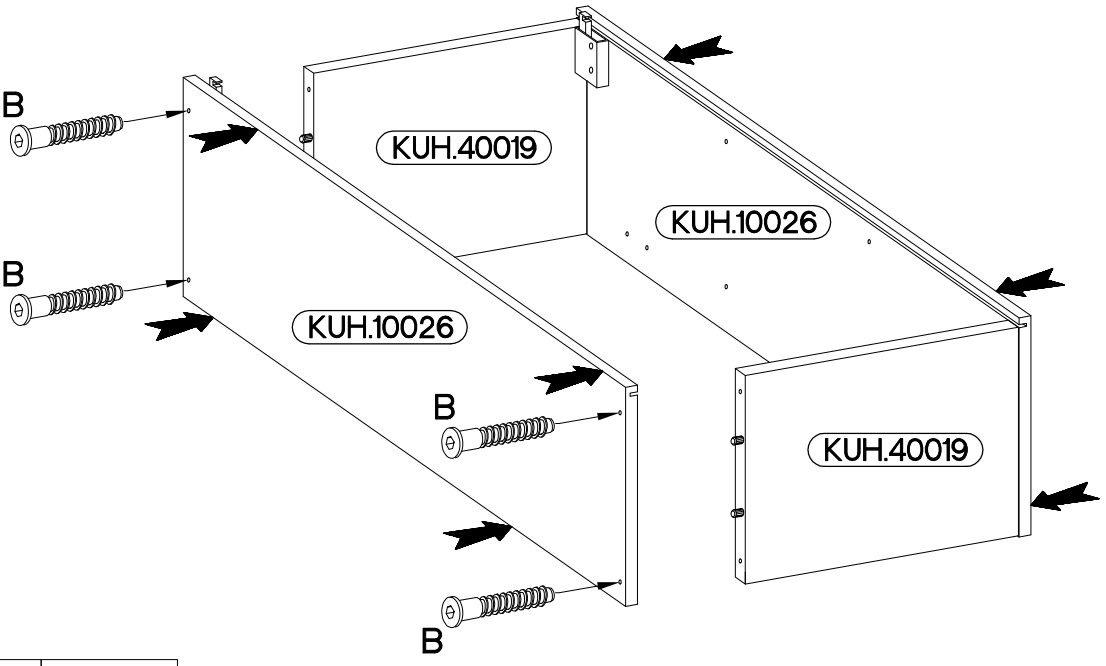


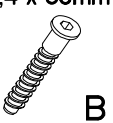

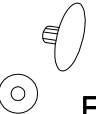
2

6,4 x 50mm		
		
<b>B</b>	<b>O</b>	<b>E1</b>
4	1	4

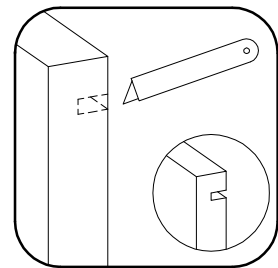
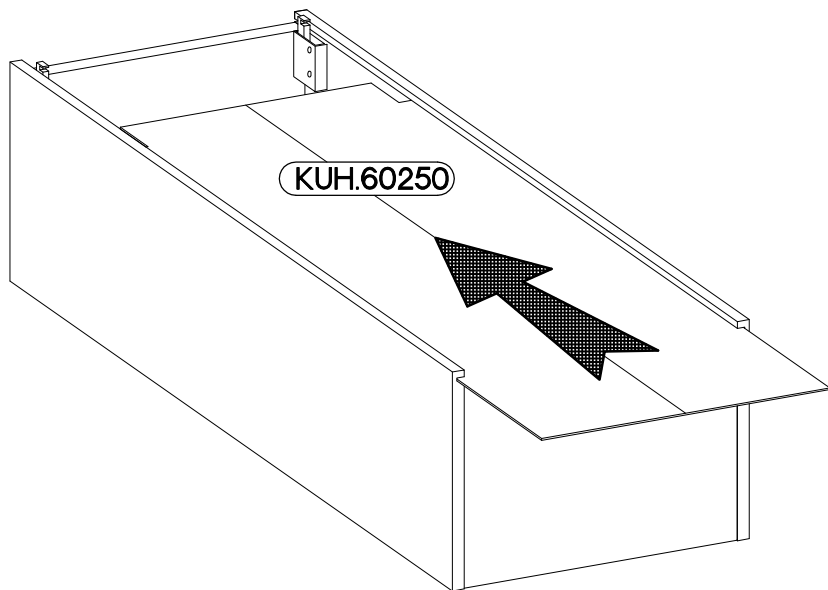
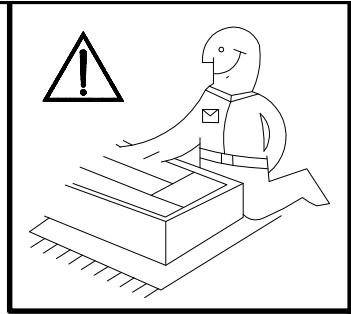


3

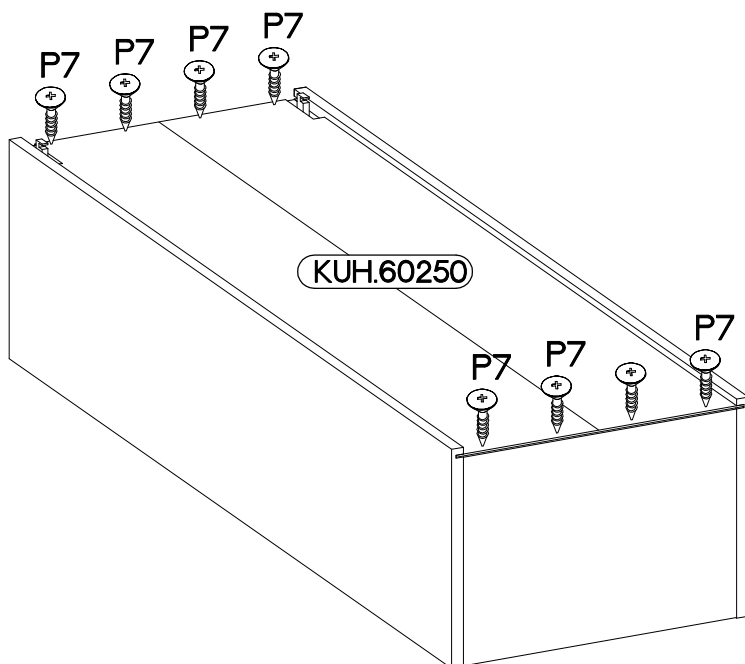
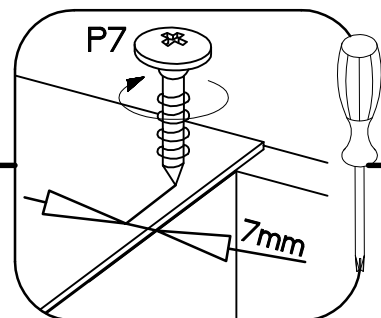
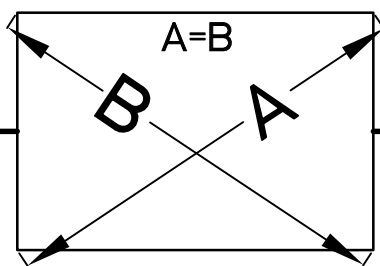
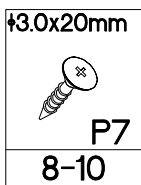


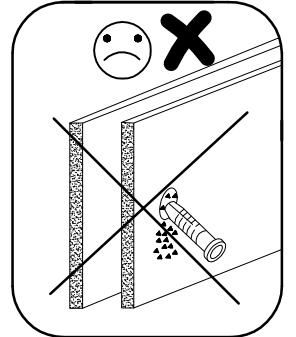
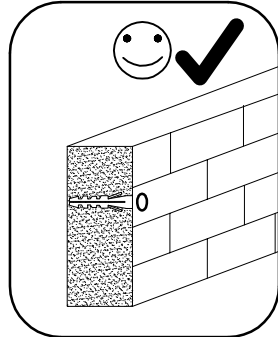
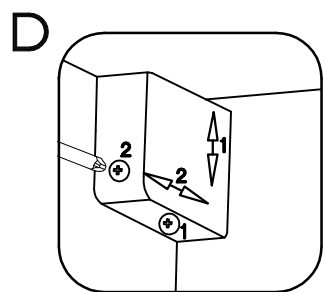
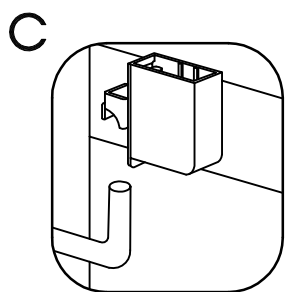
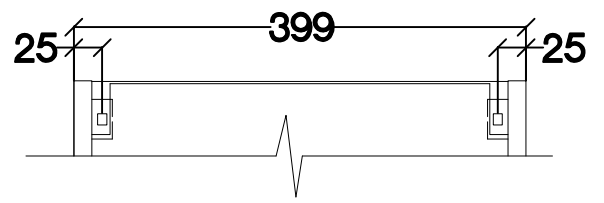
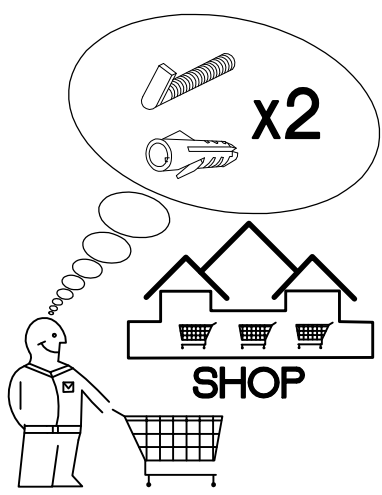
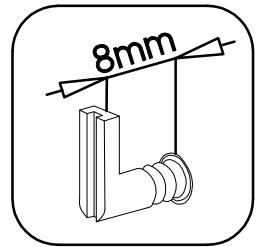
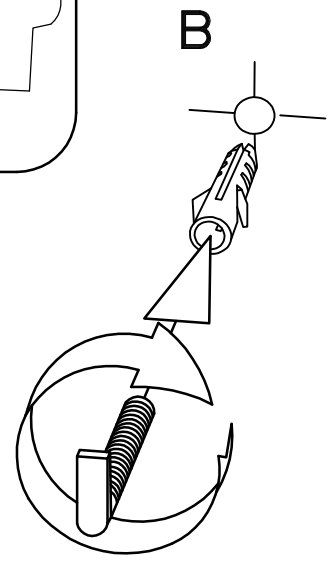
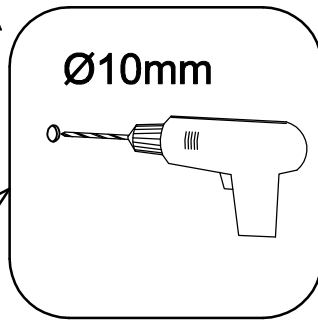
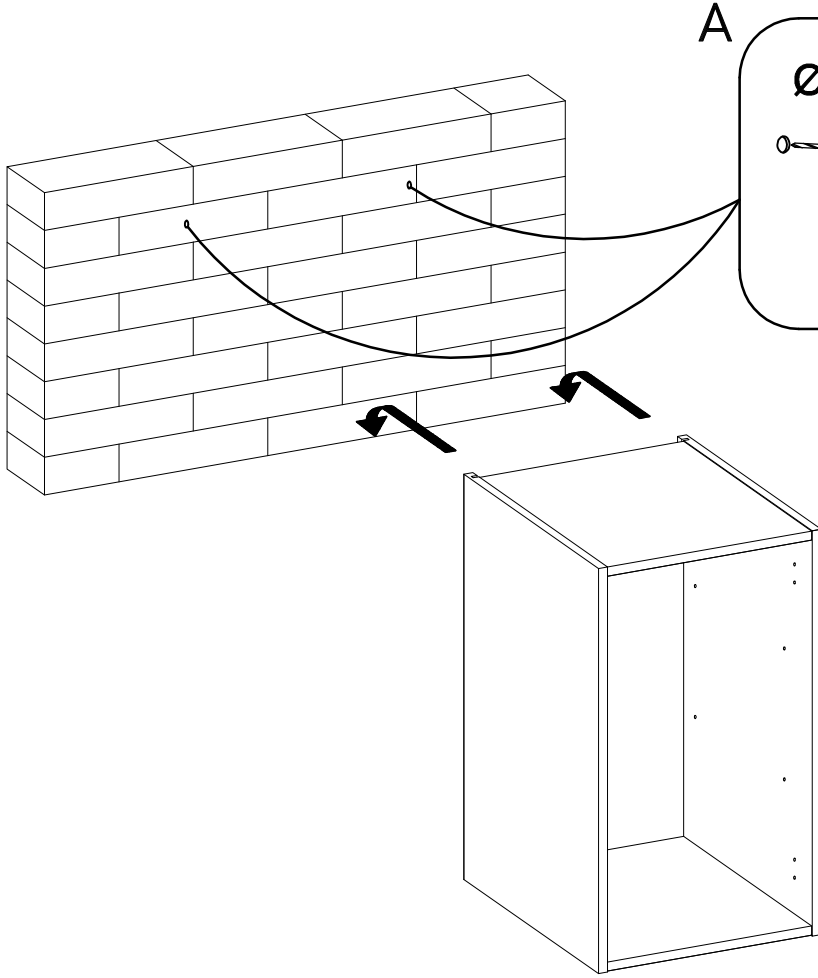
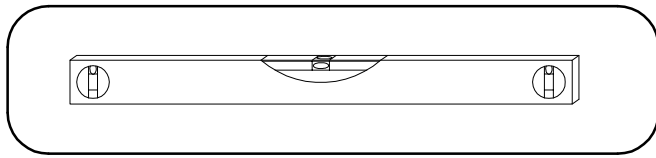
6,4 x 50mm		
		
<b>B</b>	<b>O</b>	<b>E1</b>
4	1	4

4

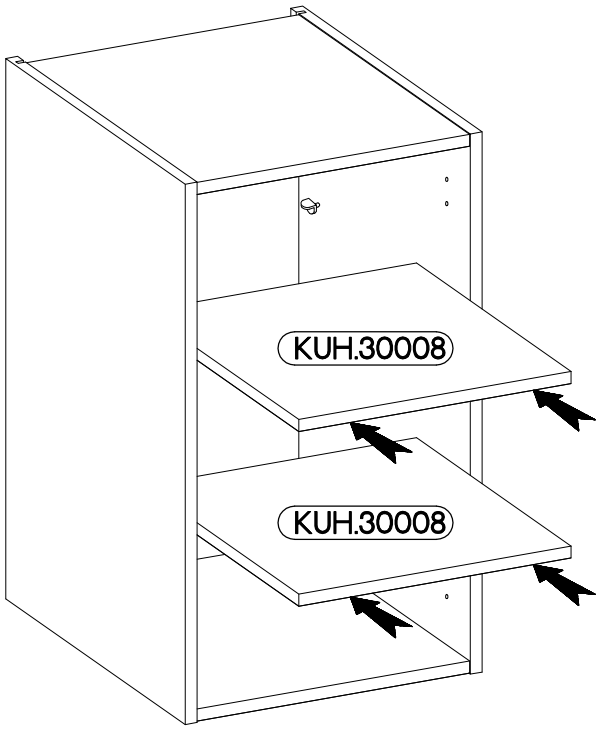
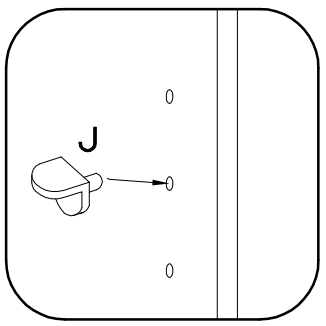
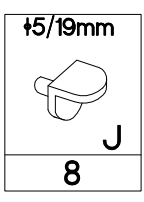


5





7



8

FRONT

