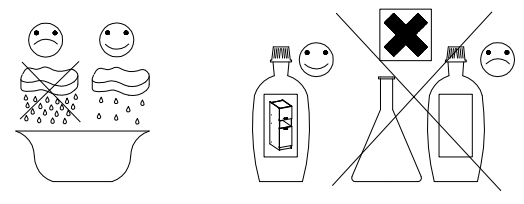
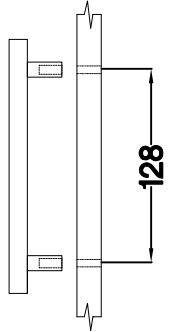
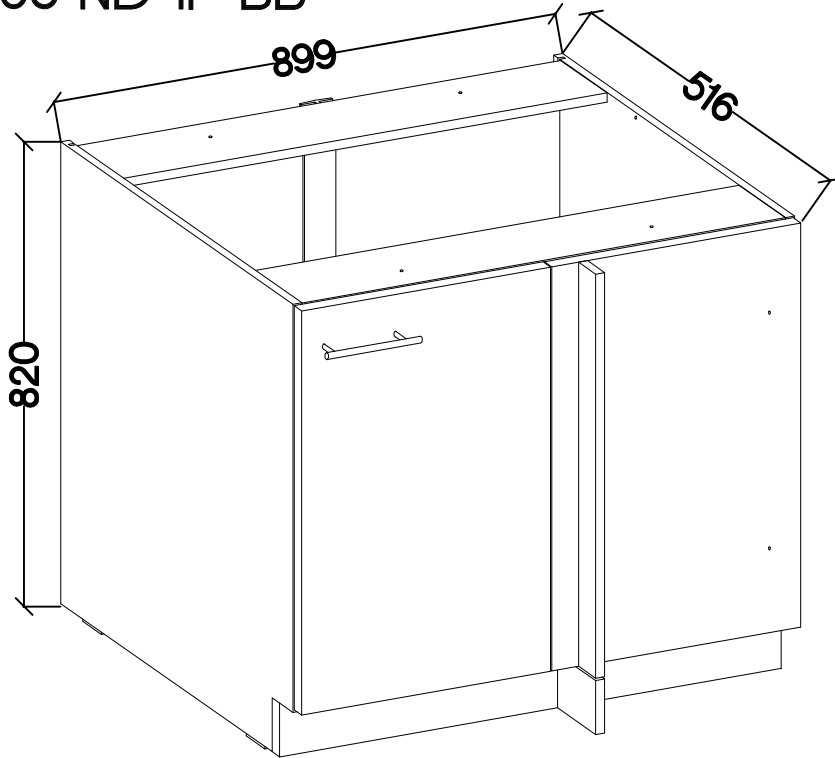


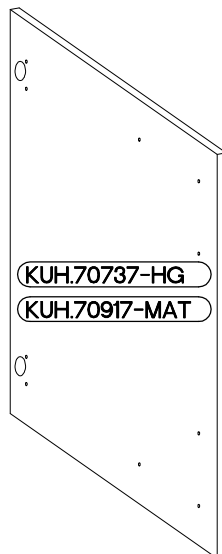
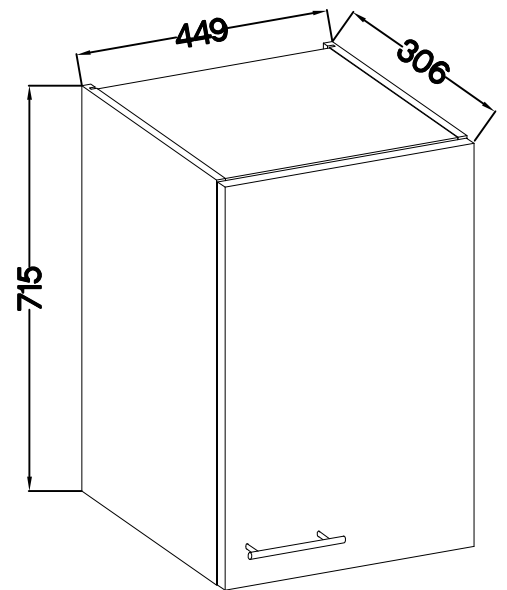
45 G-72 1F  
105 ND 1F BB  
FRONT


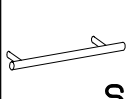


105 ND 1F BB



45 G-72 1F



M4x22mm	L=128mm
	
U	S
2	1

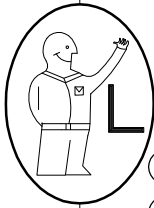
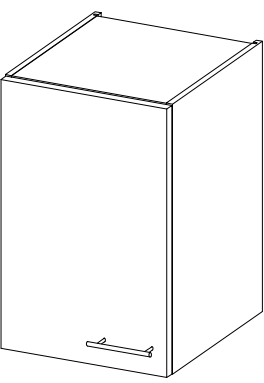
ISM-KUH-01640

# 1

## 45 G-72 1F

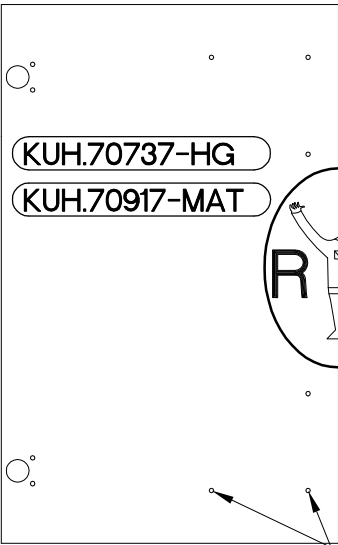
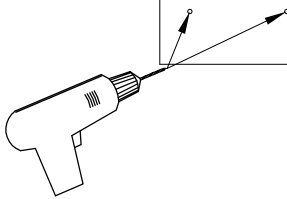
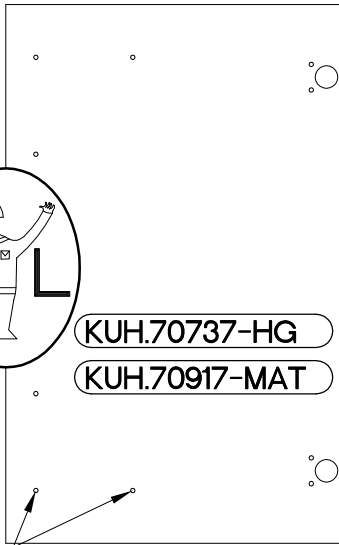
### LEFT

### RIGHT



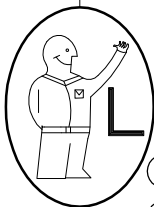
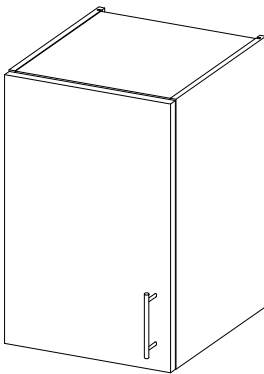
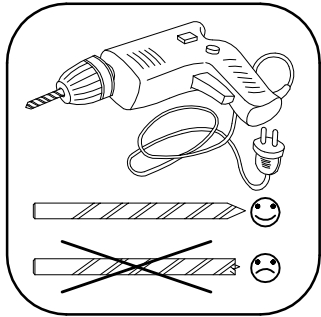
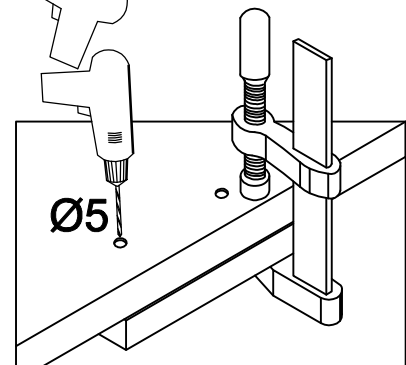
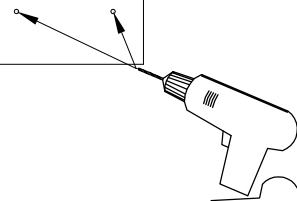
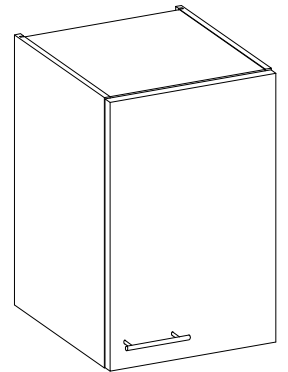
KUH.70737-HG

KUH.70917-MAT



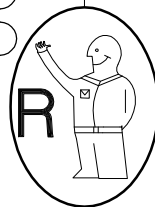
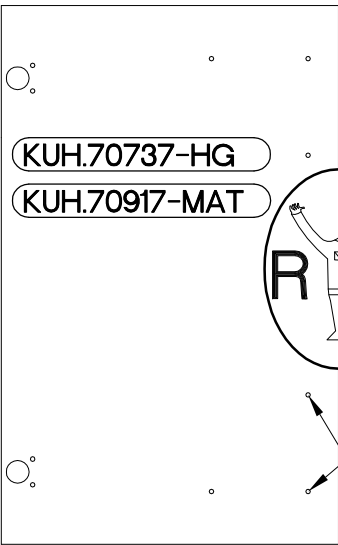
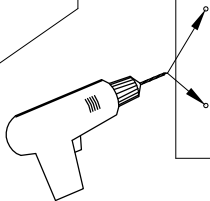
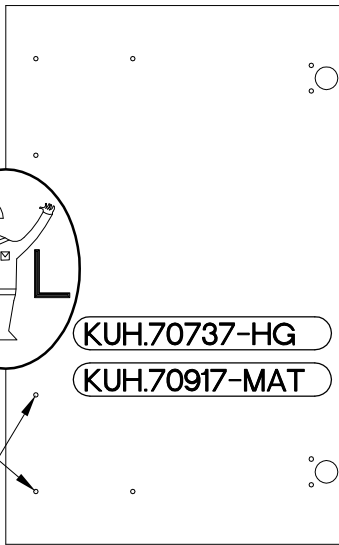
KUH.70737-HG

KUH.70917-MAT



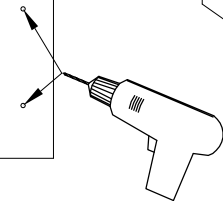
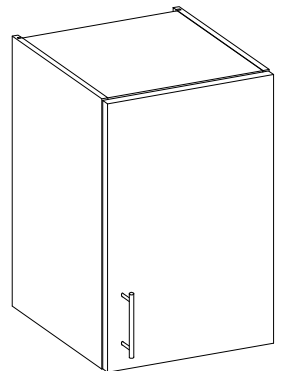
KUH.70737-HG

KUH.70917-MAT



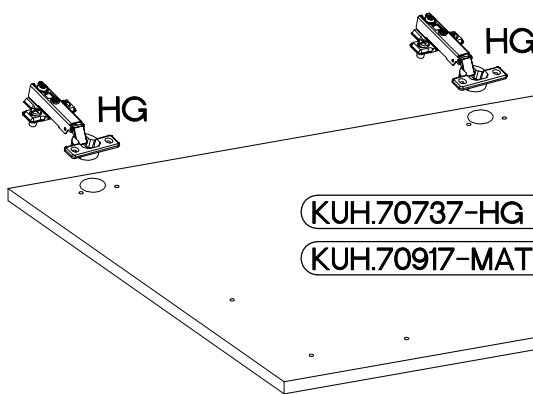
KUH.70737-HG

KUH.70917-MAT



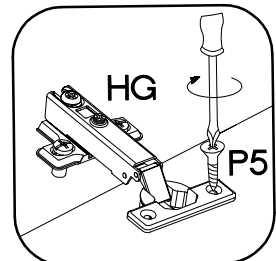
# 2


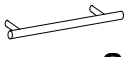
+35/0mm	+3.5x13mm
[CD] HG	P5
2	4

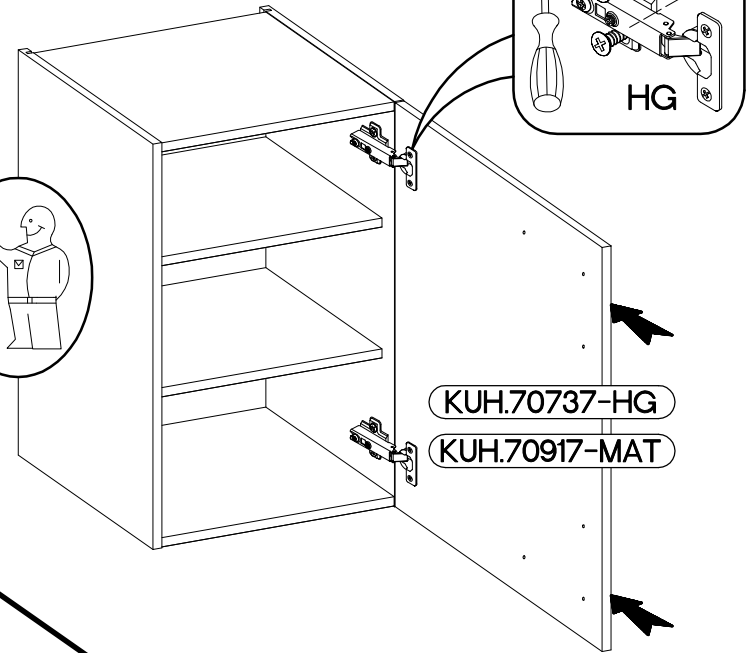
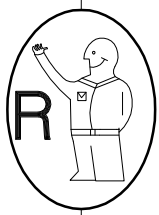


KUH.70737-HG

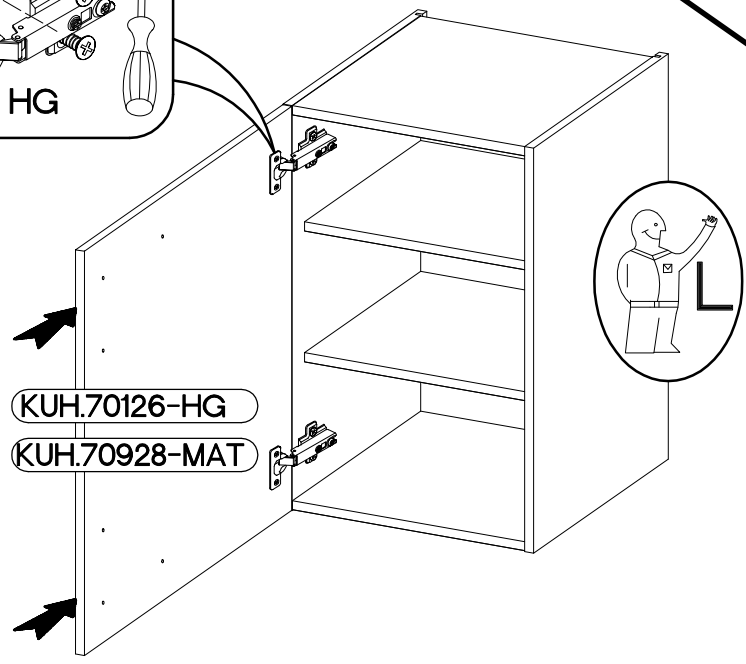
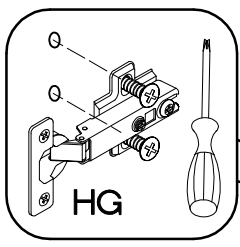
KUH.70917-MAT



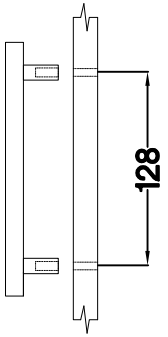
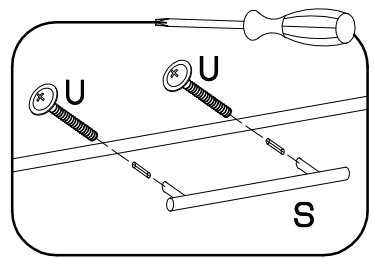
M4x22mm  U 2	L=128mm  S 1
-------------------------------------------------------------------------------------------------------	-------------------------------------------------------------------------------------------------------



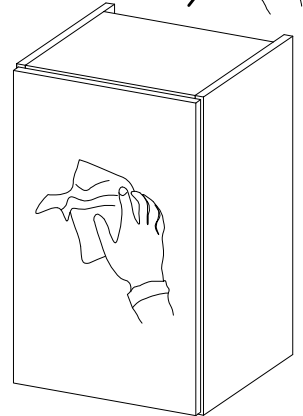
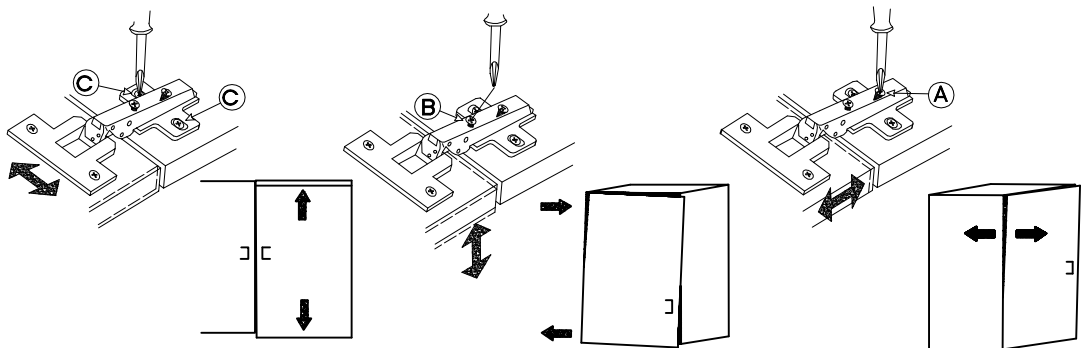
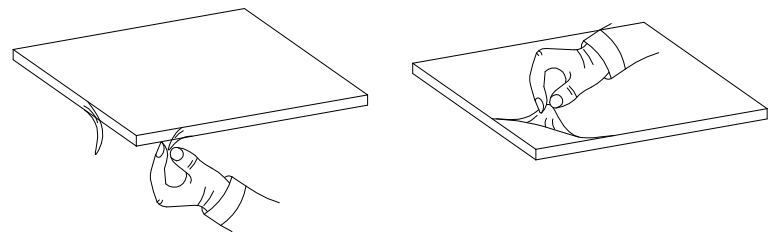
KUH.70737-HG  
KUH.70917-MAT



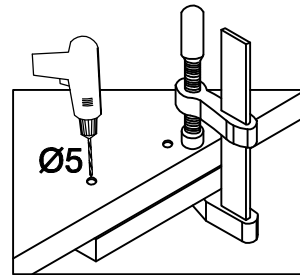
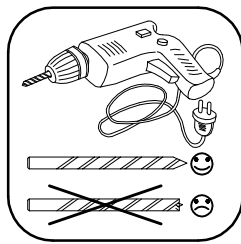
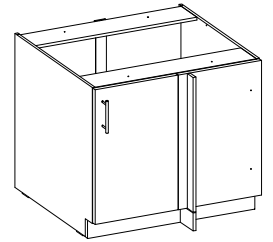
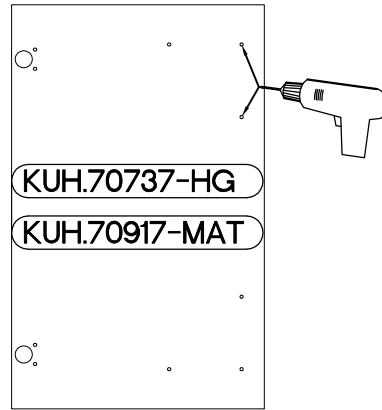
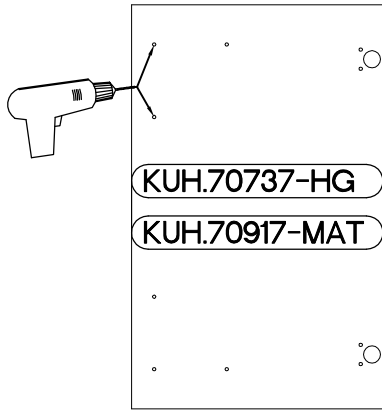
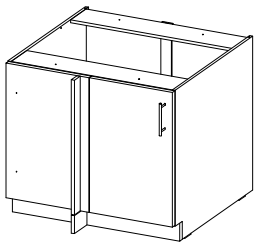
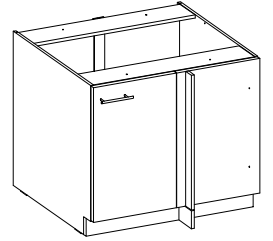
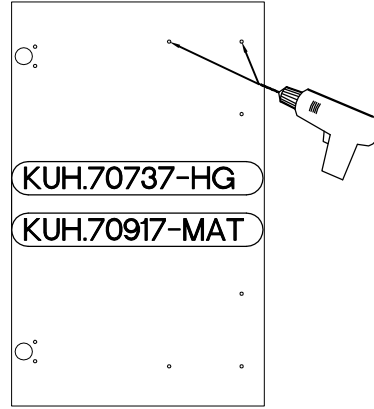
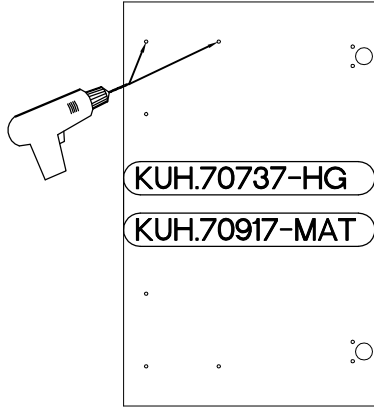
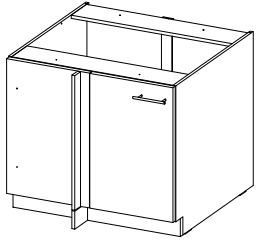
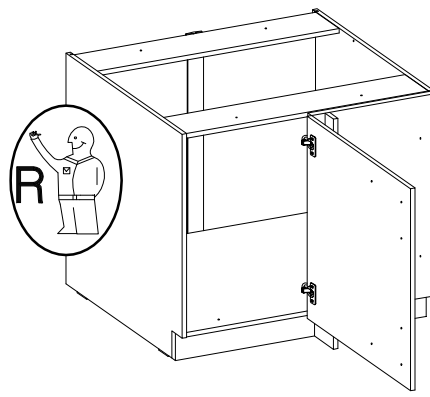
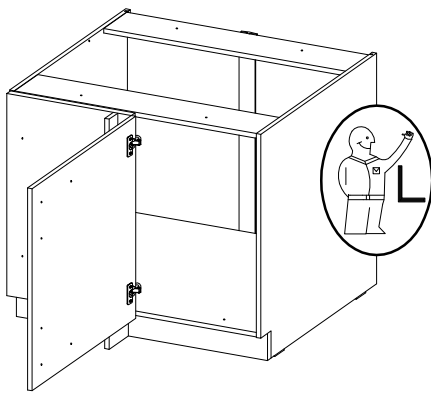
KUH.70126-HG  
KUH.70928-MAT





VARIANT HIGH GLOSS

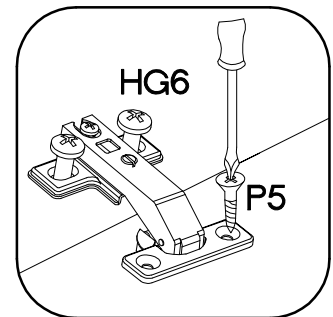
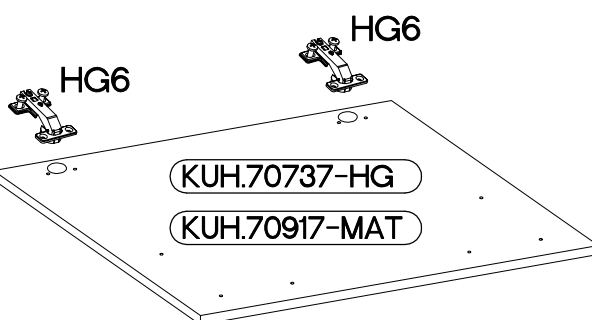


4


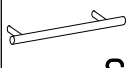


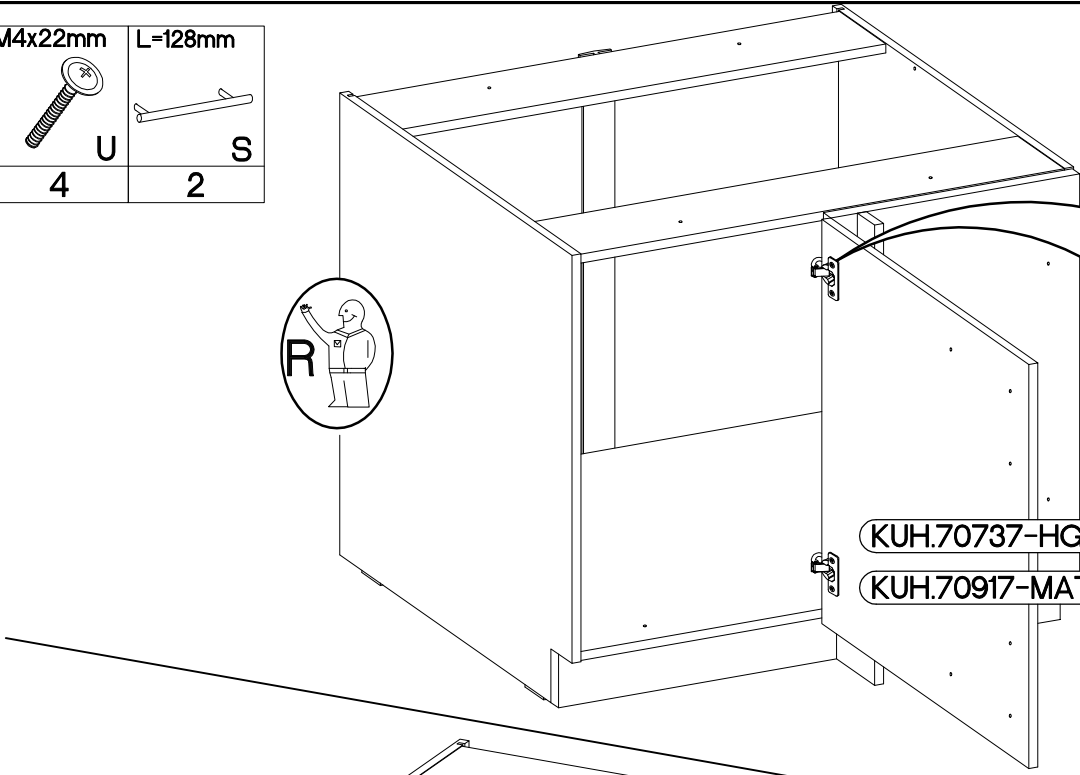
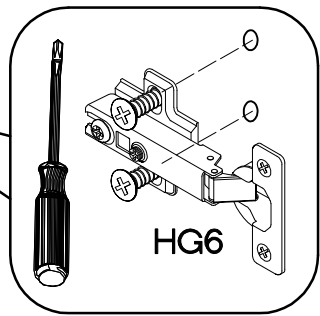
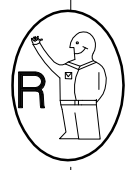
5

	
†35/90° †3.5x13mm	
HG6	P5
2	4

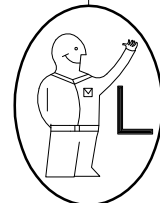
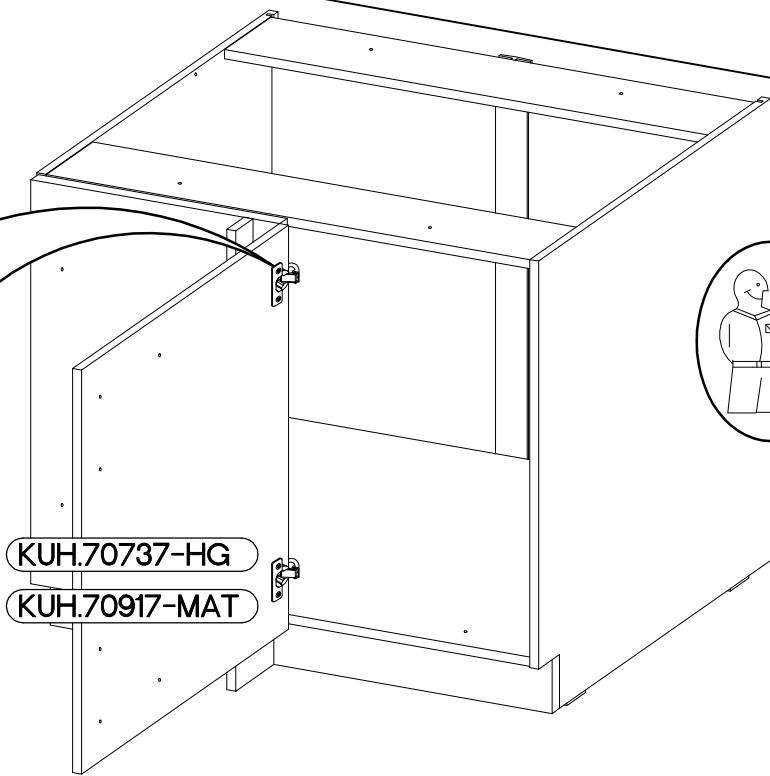
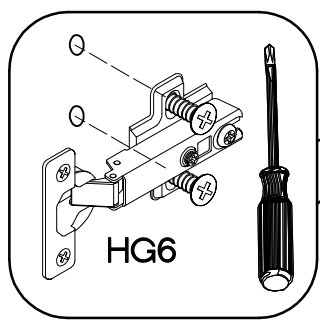


6

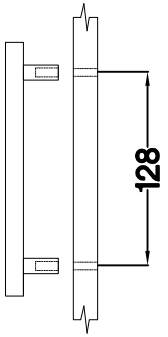
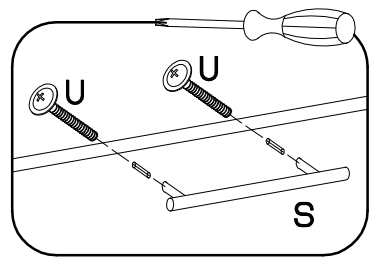
M4x22mm	L=128mm
	
U	S
4	2



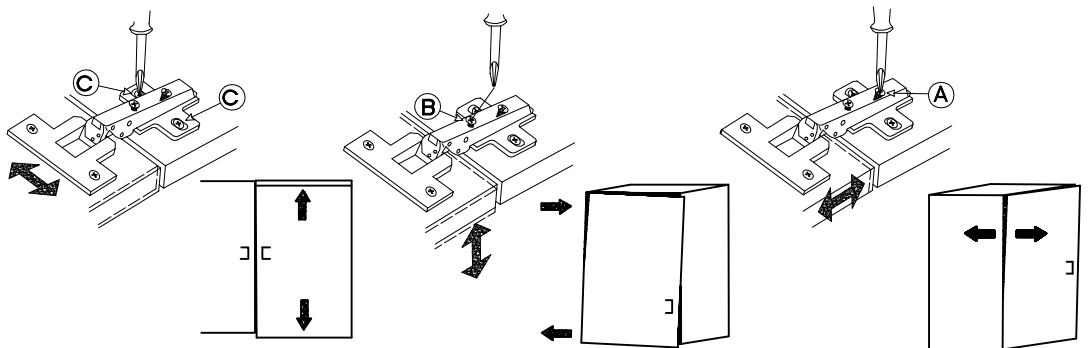
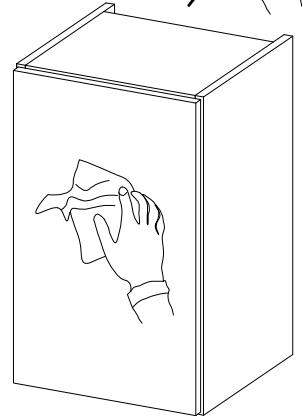
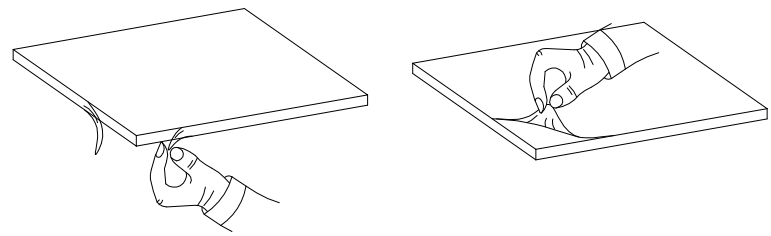
KUH.70737-HG  
KUH.70917-MAT

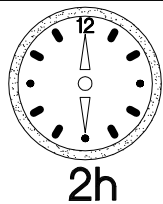
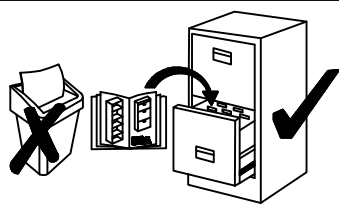
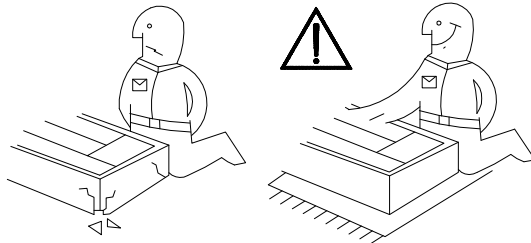
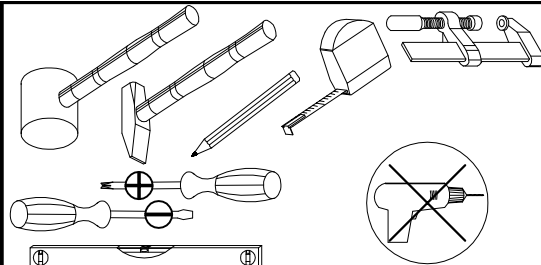
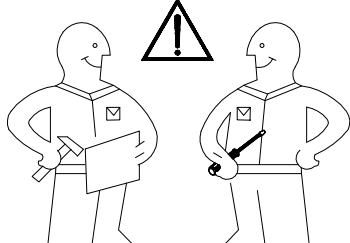


KUH.70737-HG  
KUH.70917-MAT

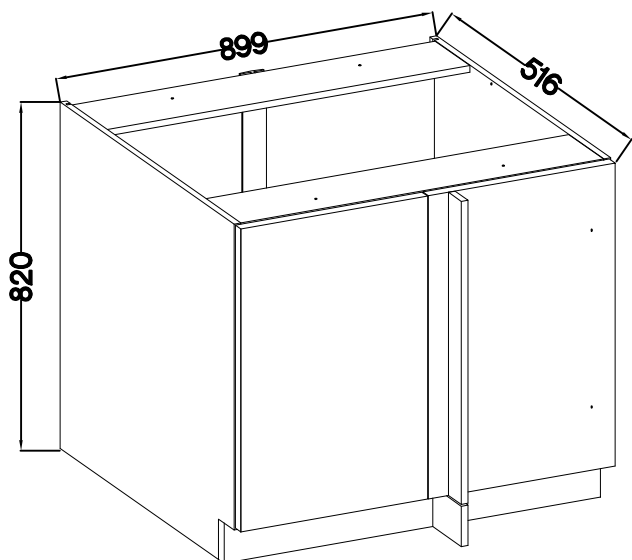
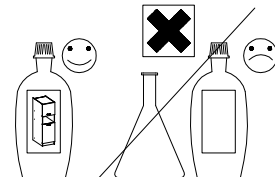


VARIANT HIGH GLOSS



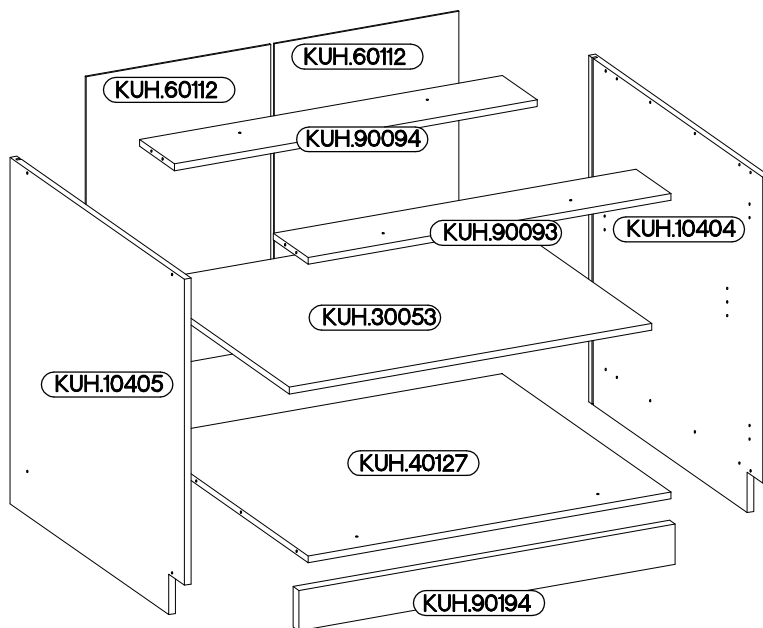
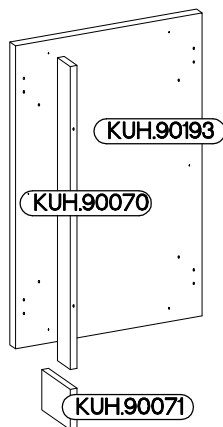


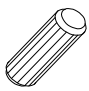

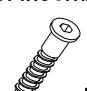
105 ND 1F BB


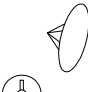










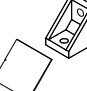



KUH.30053

KUH.40127

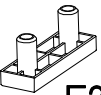
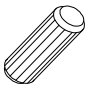


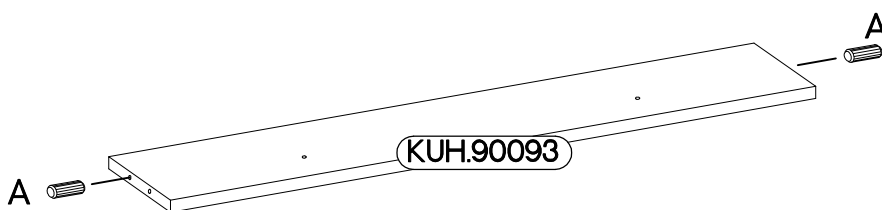
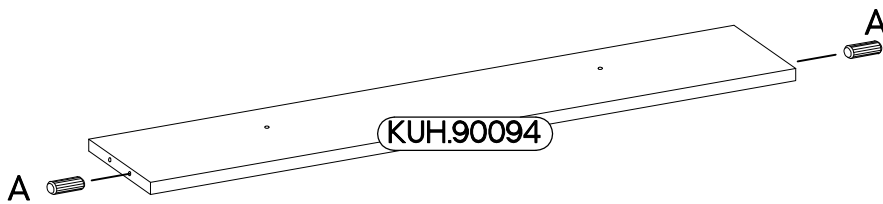
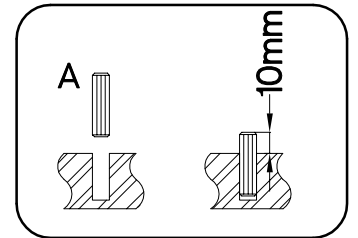
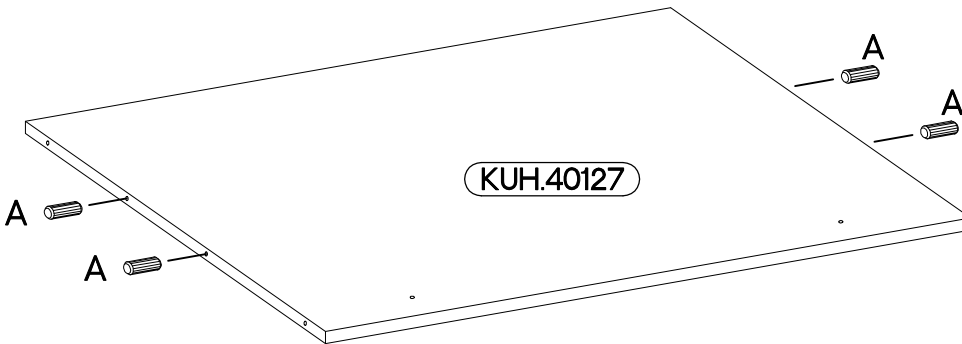
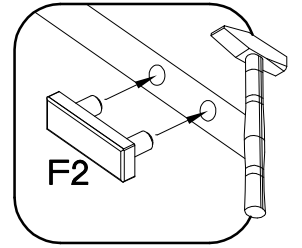
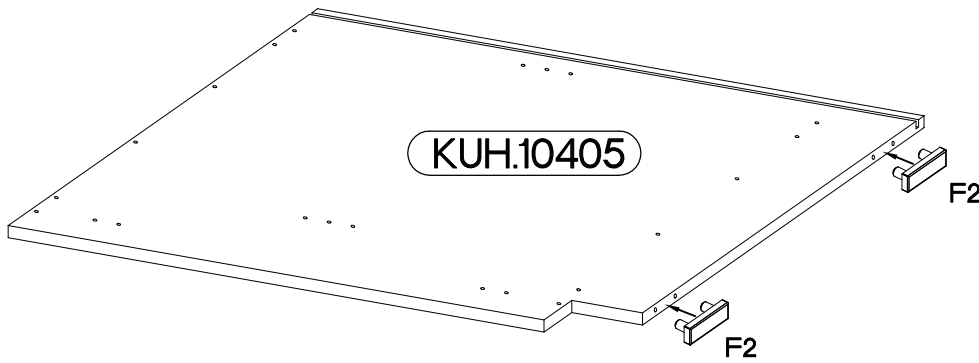
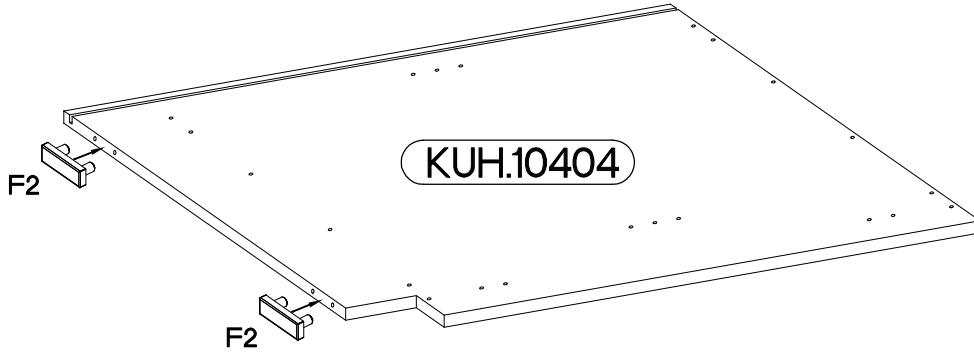
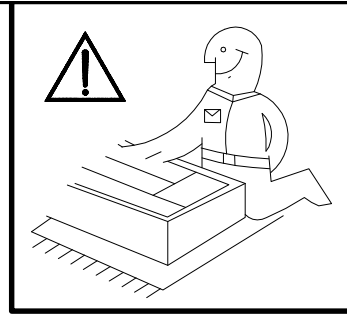
↑8x30mm  A	6,4 x 50mm  B	↑6.4x35mm  B1
8	8	2

 E1	 E9	 F2	 HG6	 J	 L1	 O
8	2	4	2	4	1	1
↑4.0x16mm  P1	↑4.0x45mm  P4	↑3.5x13mm  P5	↑3.0x20mm  P7	↑4.0x35mm  R3	 T3	 T15
10	2	8	15-20	4	5	2

ISM-KUH-01633

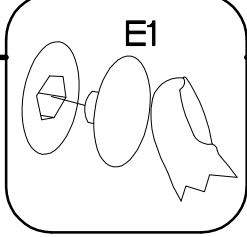
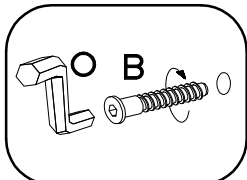
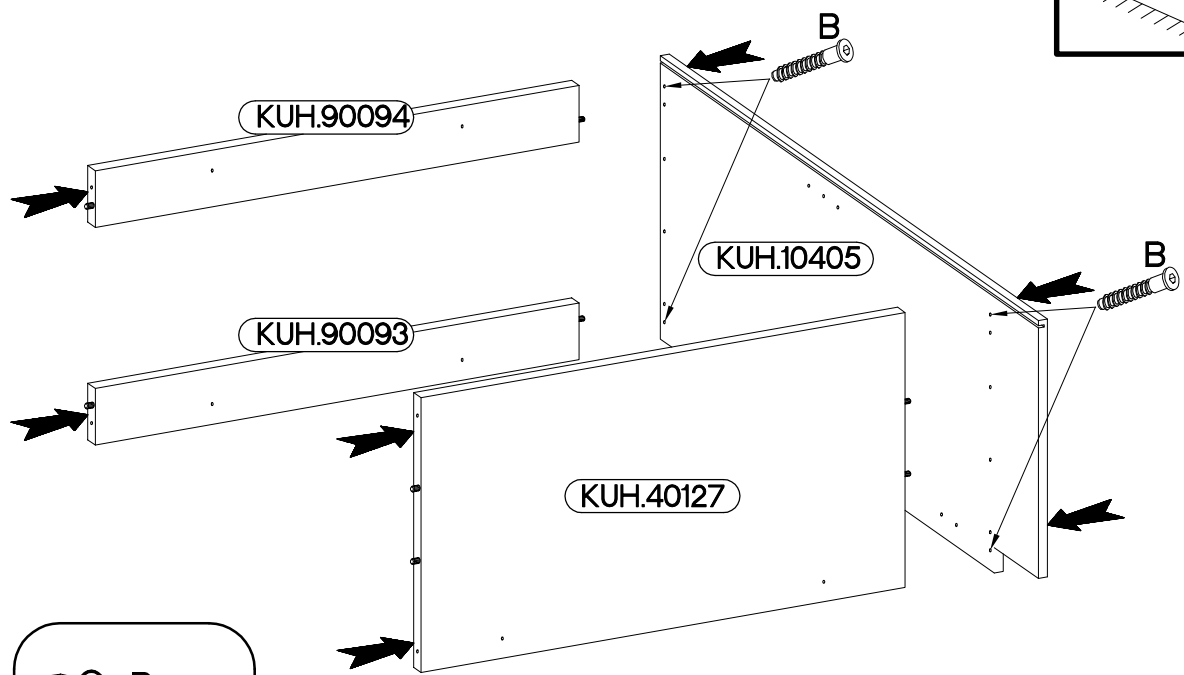
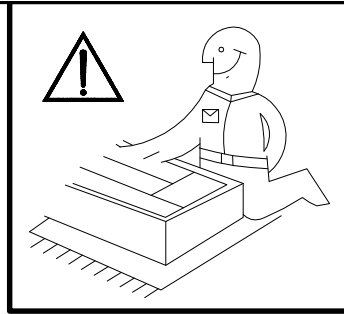
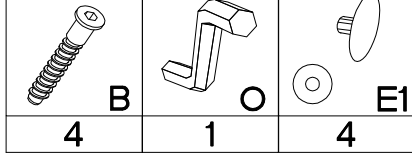
1

6.5x48x16  F2 4	+8x30mm  A 8
----------------------------------------------------------------------------------------------------------	-------------------------------------------------------------------------------------------------------

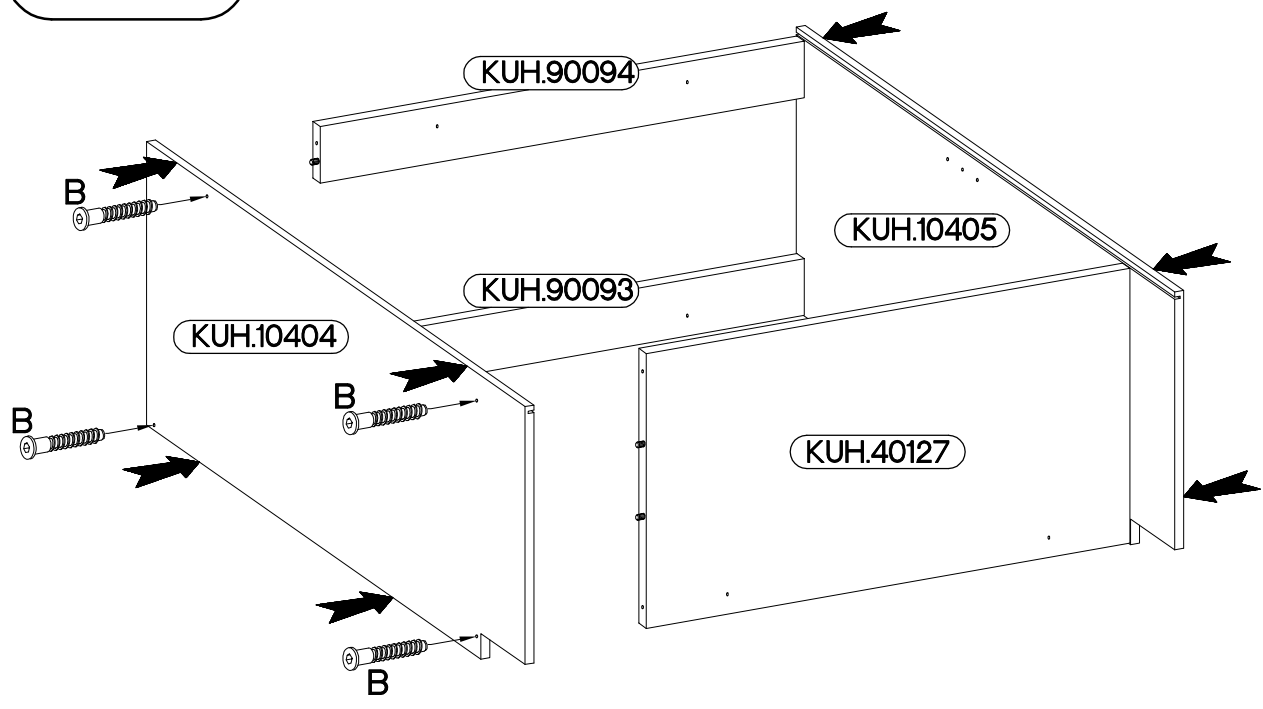


2

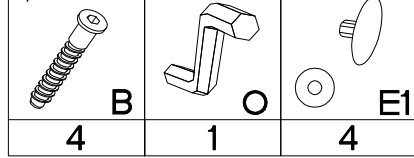
6,4 x 50mm



3



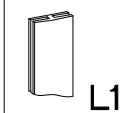
6,4 x 50mm



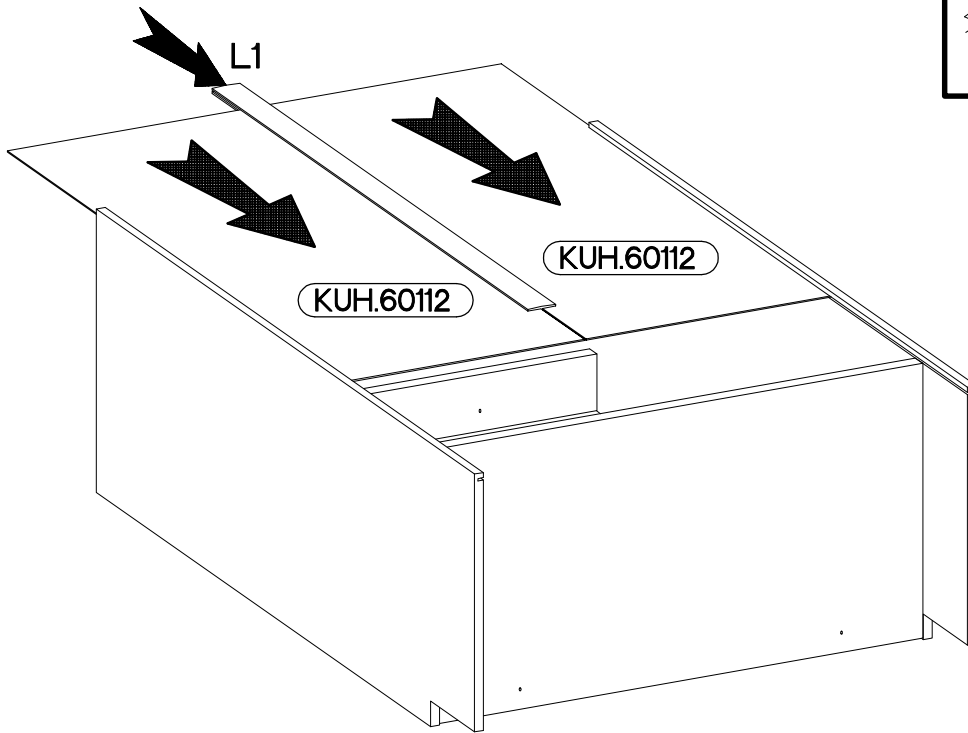
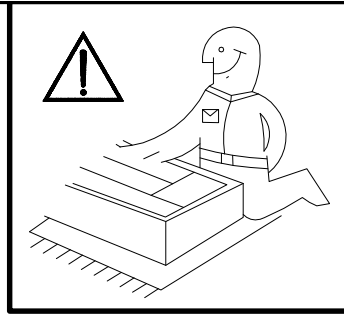


4

L1=680mm



1



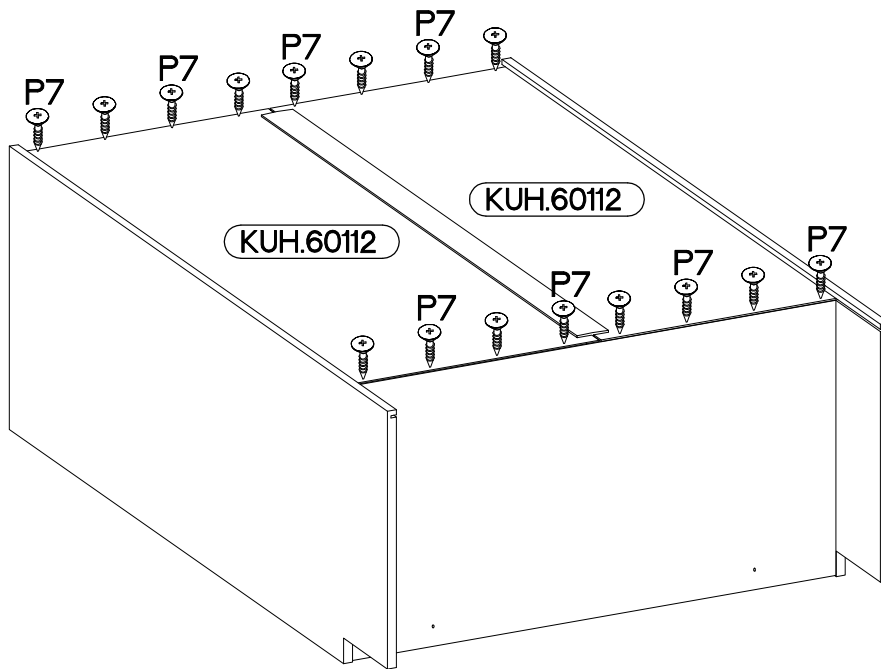
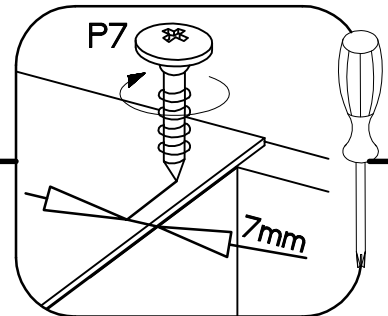
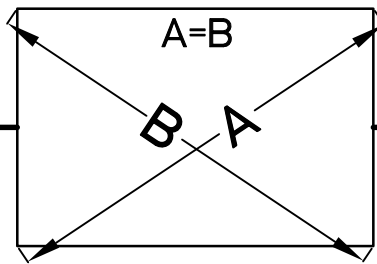
5

3.0x20mm





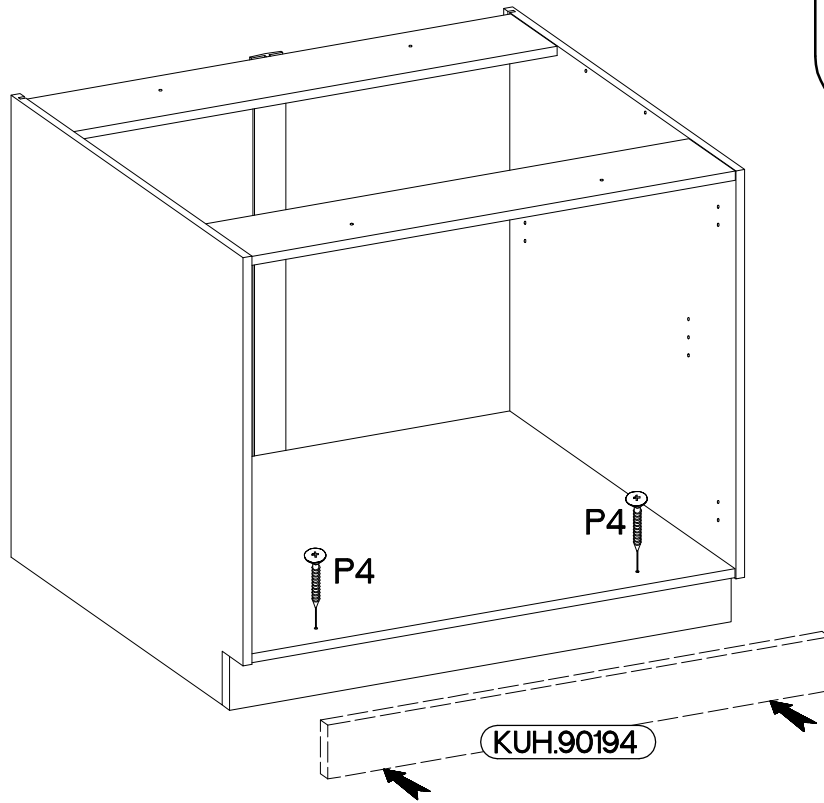
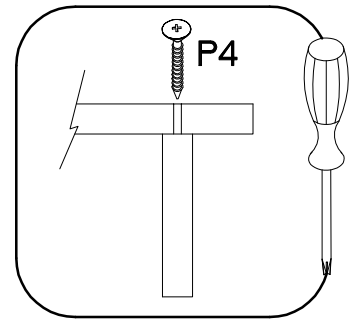
P7

15-20

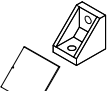


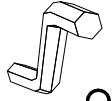


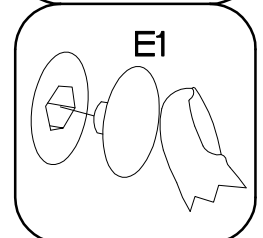
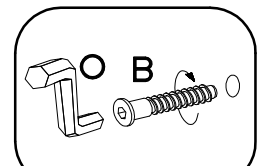
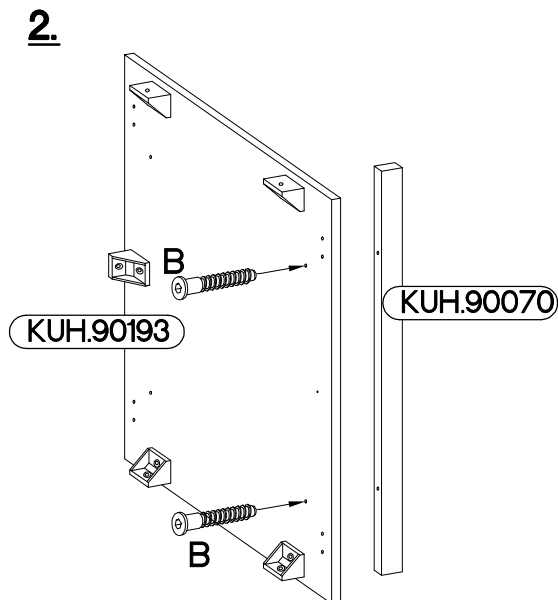
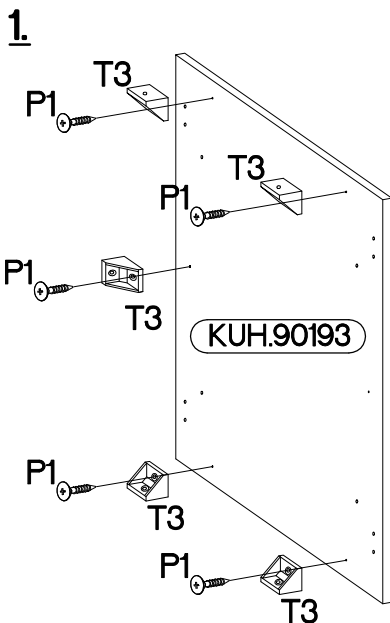
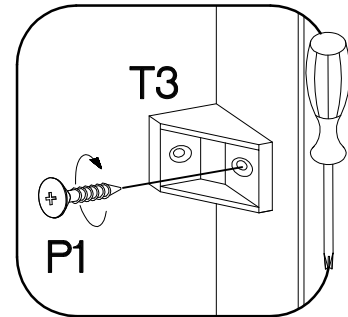
# 6

 <b>4.0x45mm</b> <b>P4</b>	 <b>E9</b>
<b>2</b>	<b>2</b>



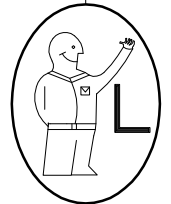
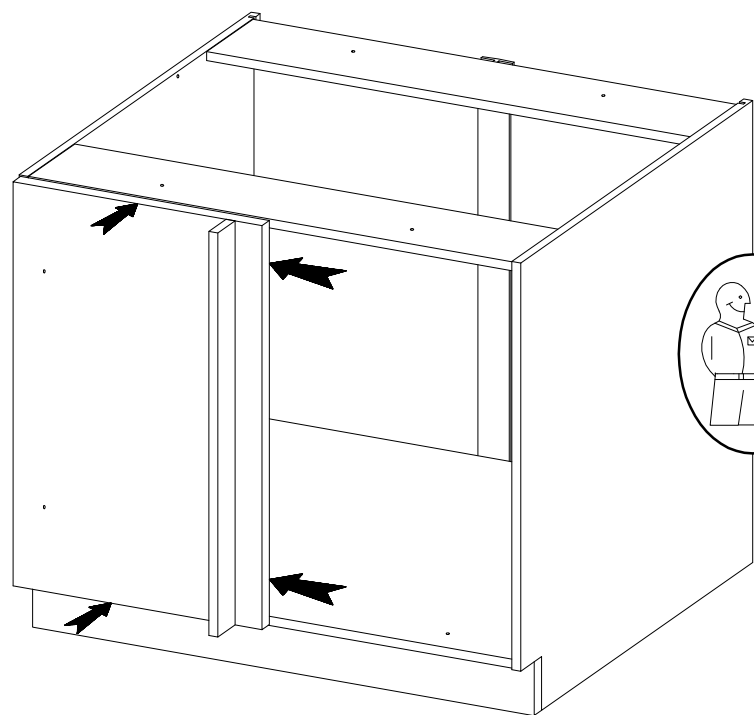
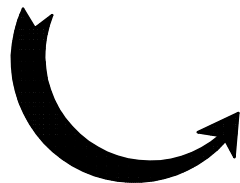
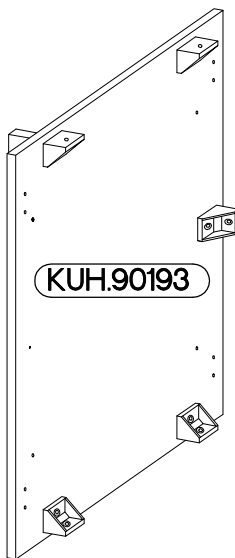
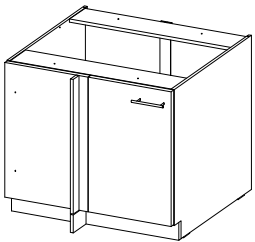
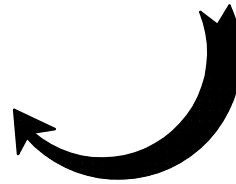
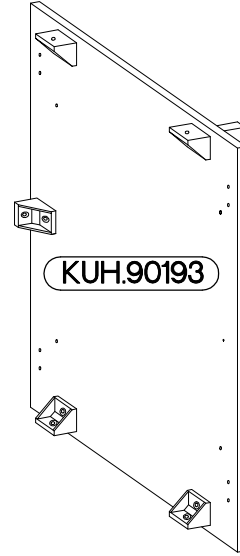
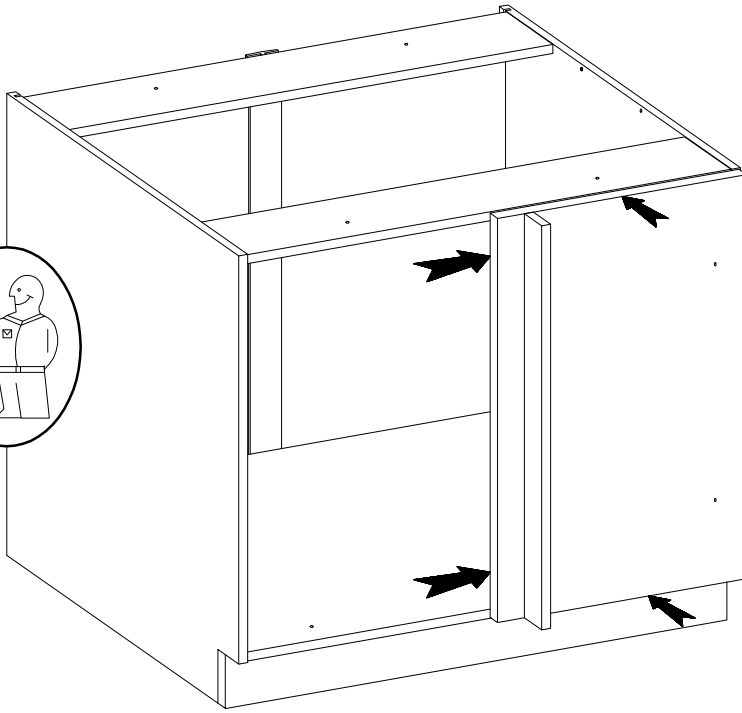
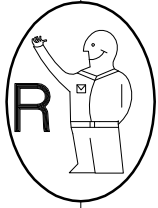
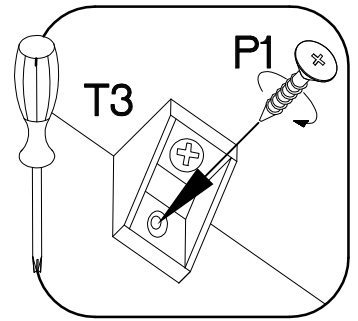
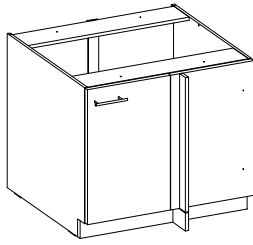
# 7

 <b>T3</b>	 <b>4.0x16mm</b> <b>P1</b>	 <b>6.4x35mm</b> <b>B1</b>	 <b>O</b>
<b>5</b>	<b>5</b>	<b>2</b>	<b>1</b>




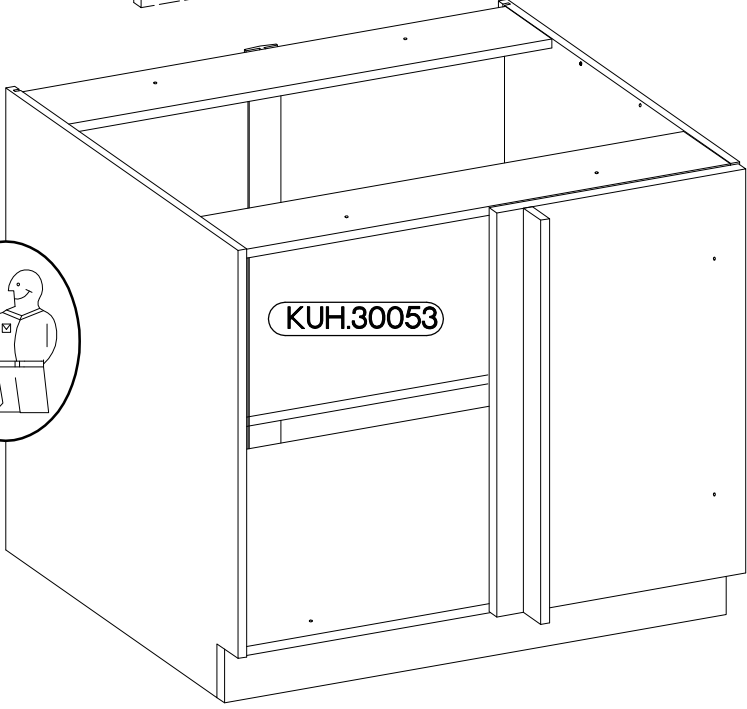
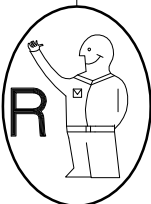
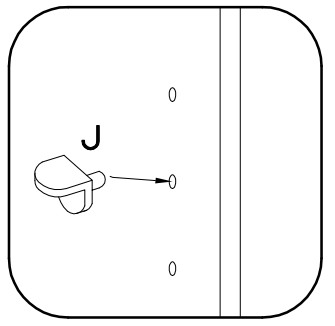
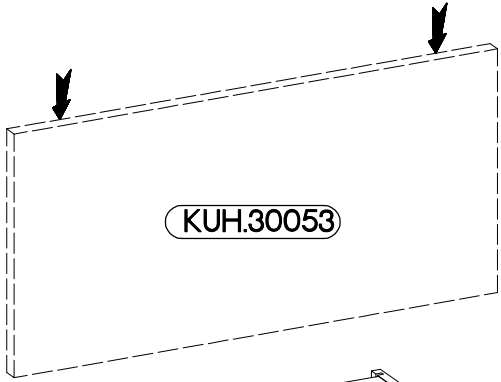
8

+4.0x16mm  
P1  
5




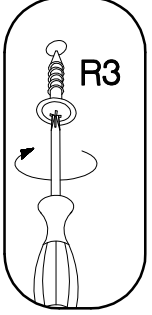
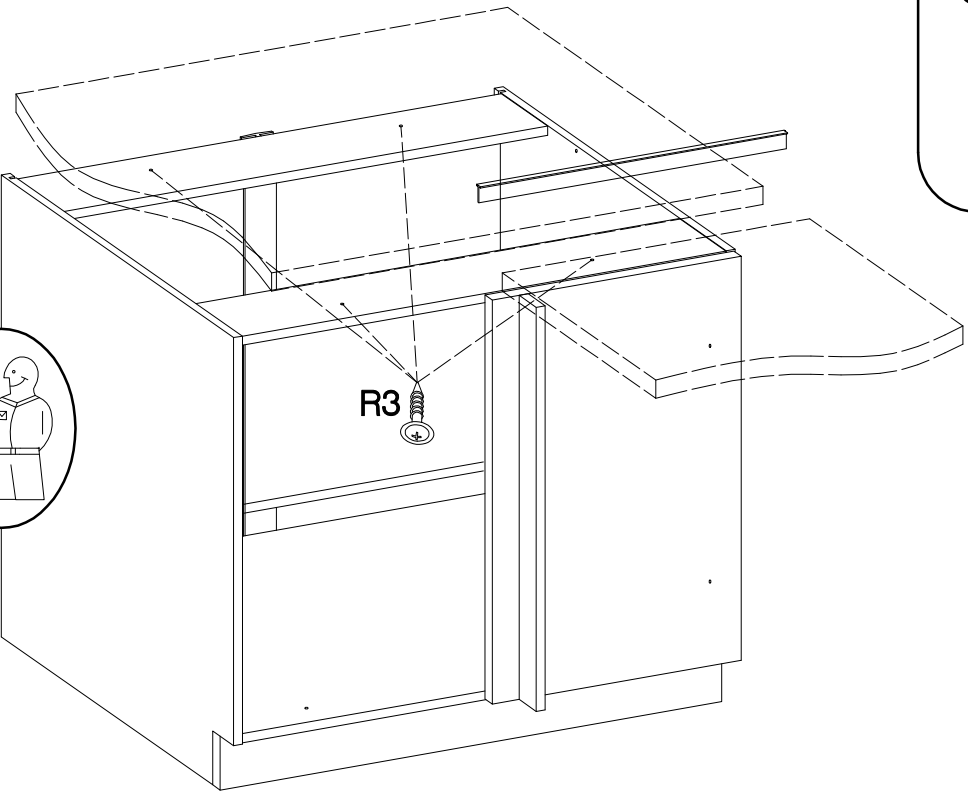
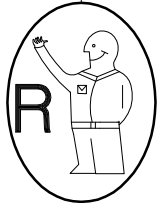
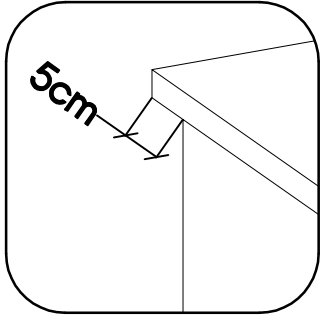
9

±5/19mm  
  
 J  
 4




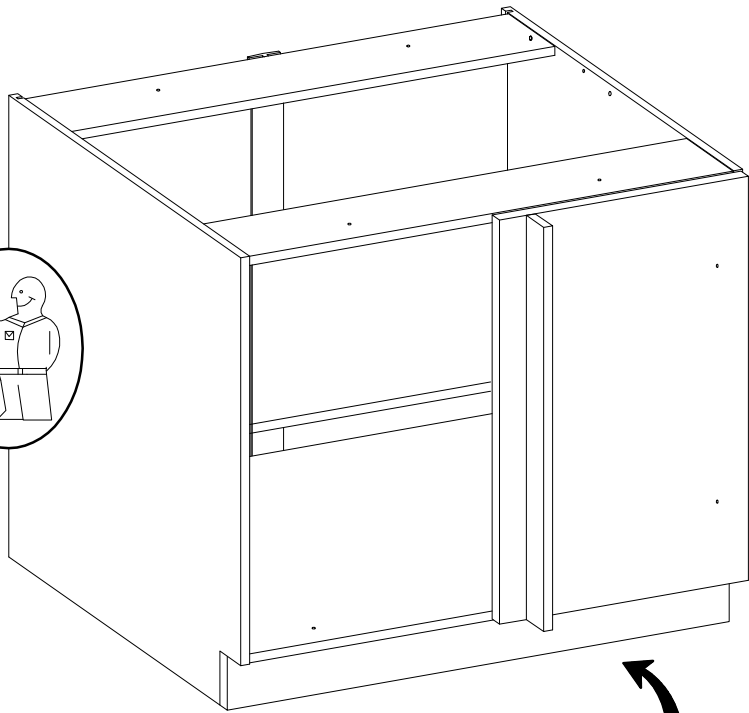
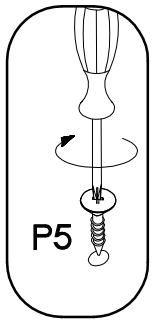
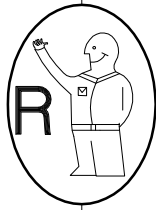
10

±4.0x35mm  
  
 R3  
 4

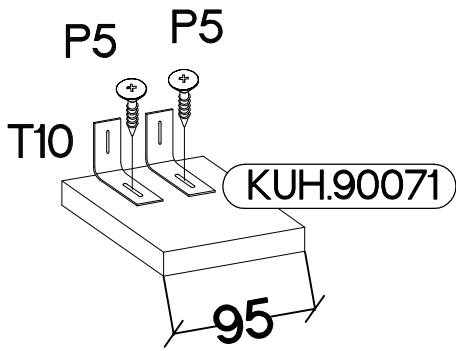


# 11

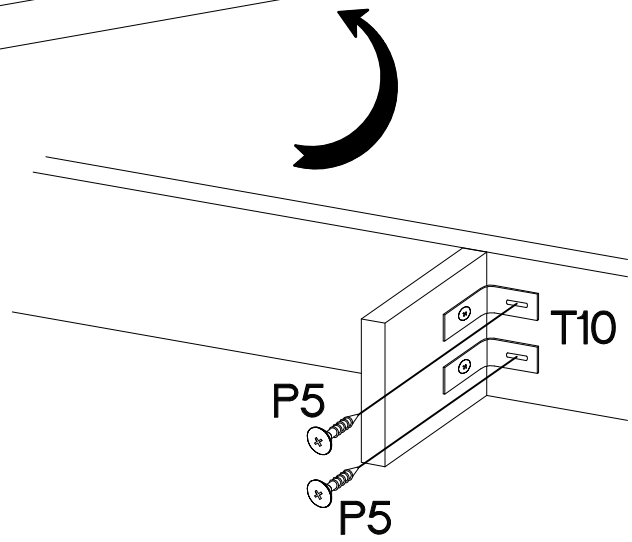
	$\pm 3.5 \times 13 \text{mm}$
T15	P5
2	4



1.



2.



# 12

FRONT

