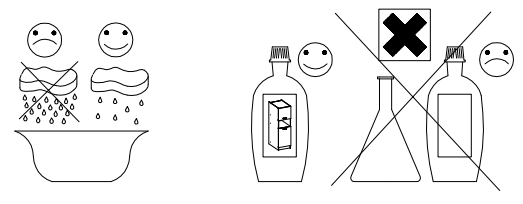
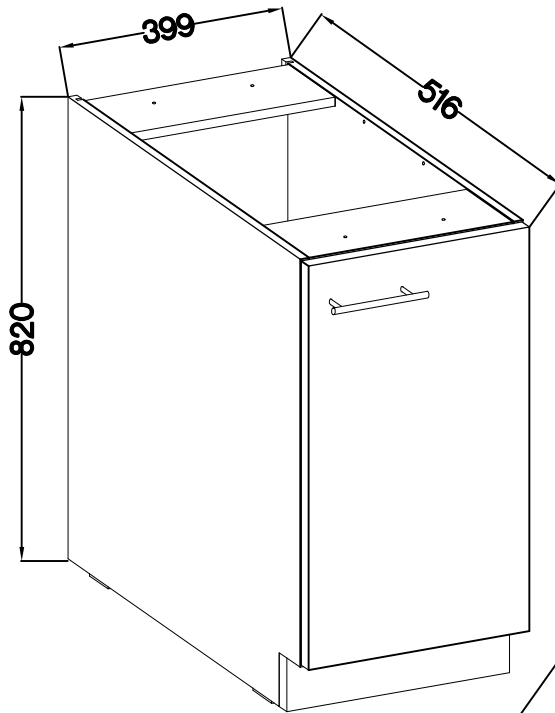


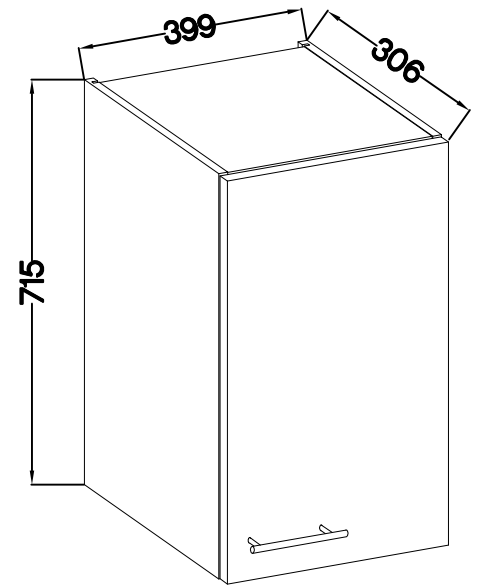
40 D 1F BB
40 G-72 1F
58x58 GN-72 1F
FRONT



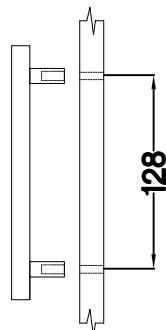
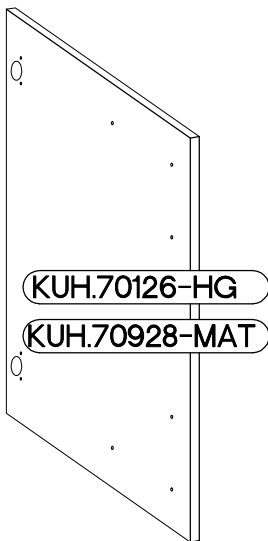
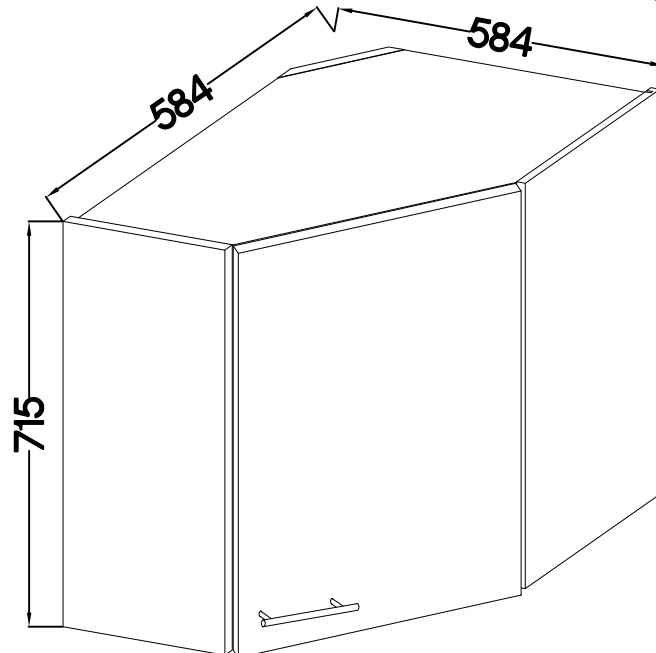
40 D 1F BB





40 G-72 1F



58x58 GN-72 1F



M4x22mm	L=128mm
	
U	S
2	1

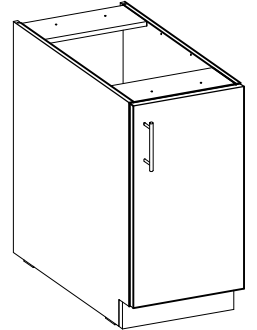
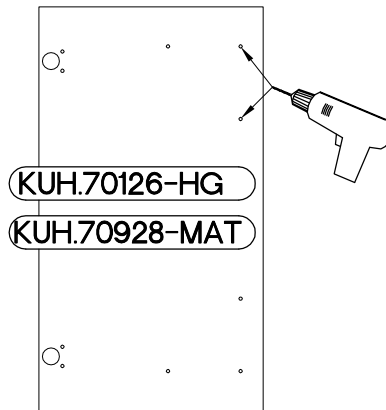
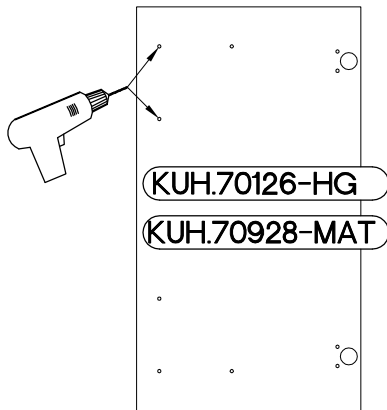
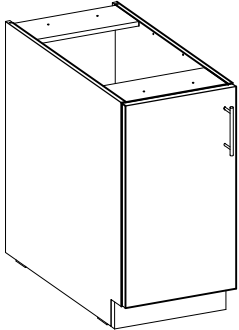
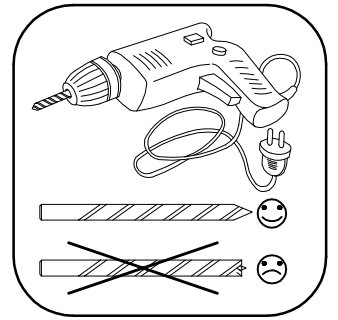
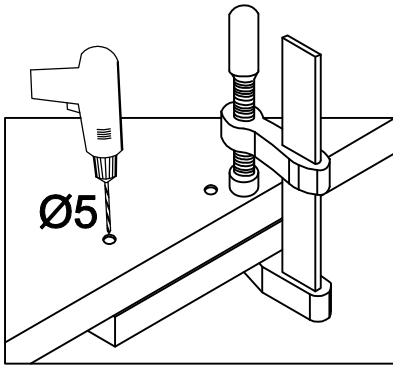
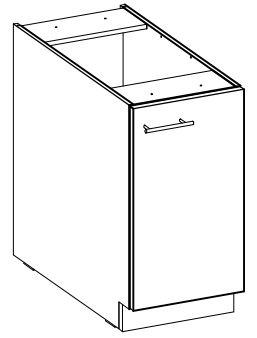
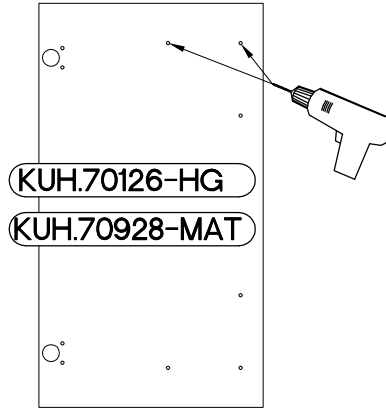
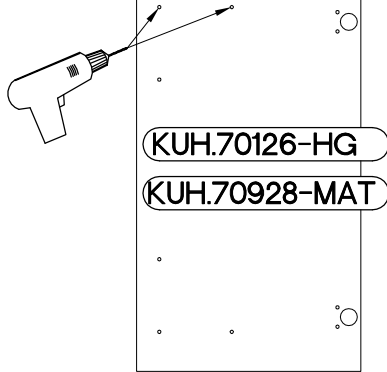
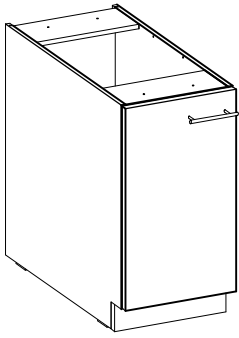
1 40 D 1F BB





LEFT

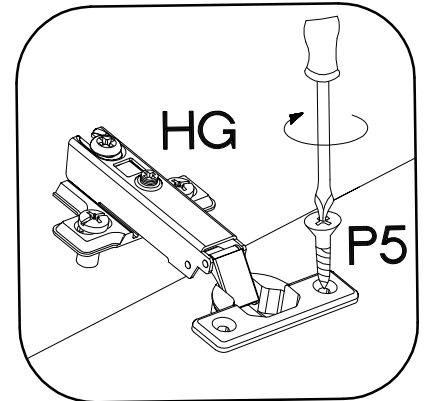
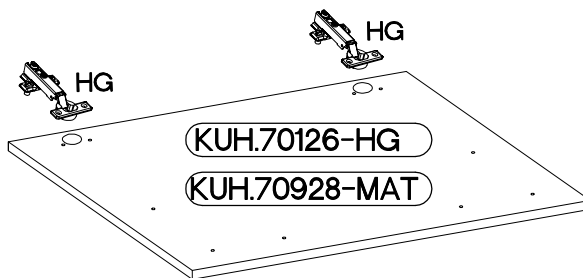


RIGHT


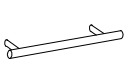


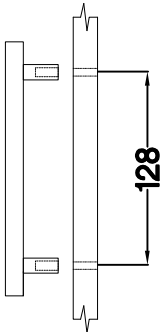
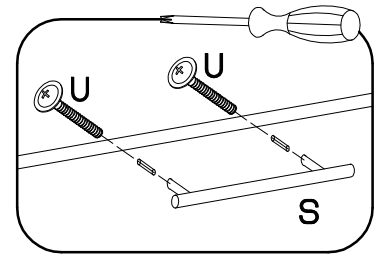
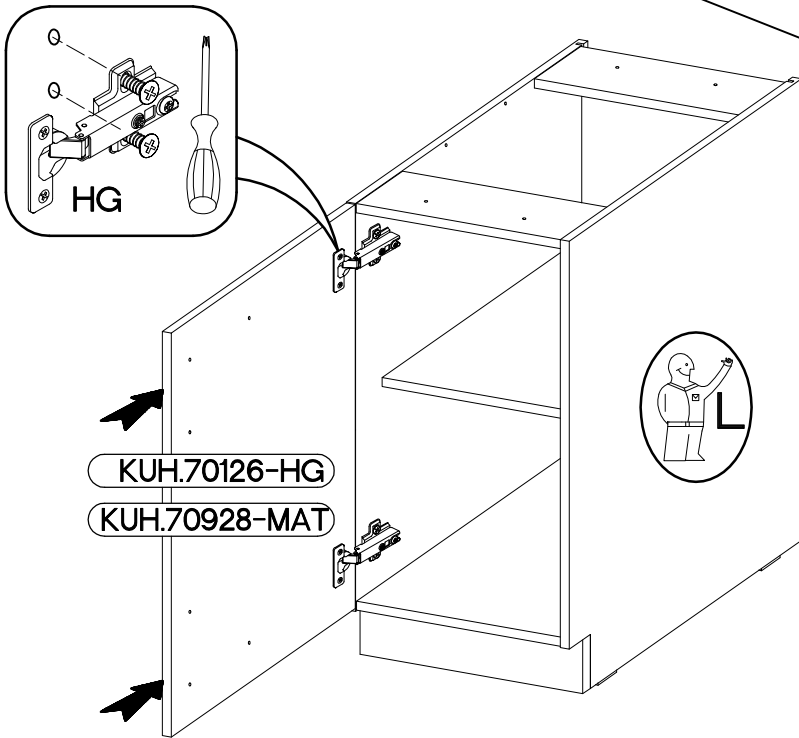
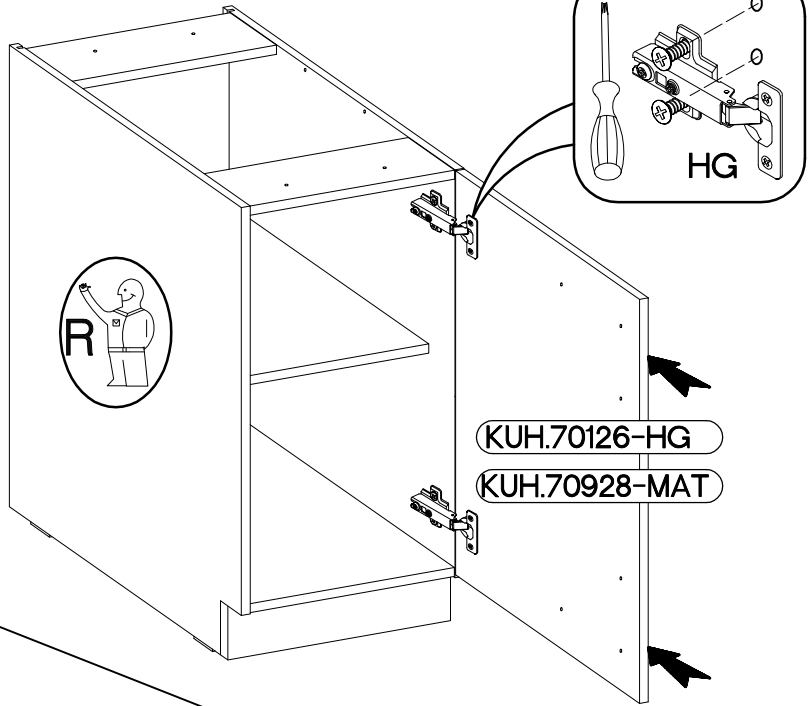
2

 †35/0mm [CD] HG 2	 †3.5x13mm P5 4
--	---

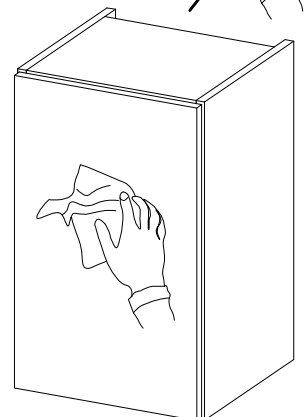
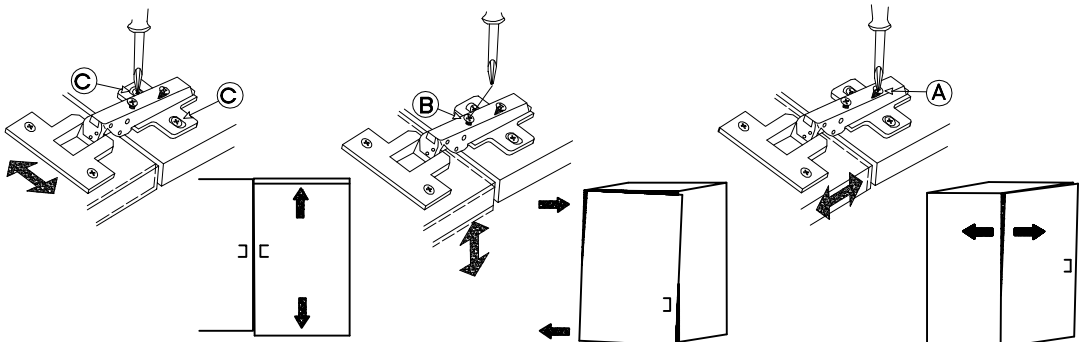
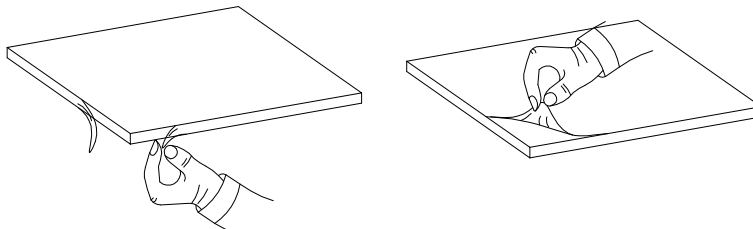


3

M4x22mm	L=128mm
	
U	S
2	1



VARIANT HIGH GLOSS



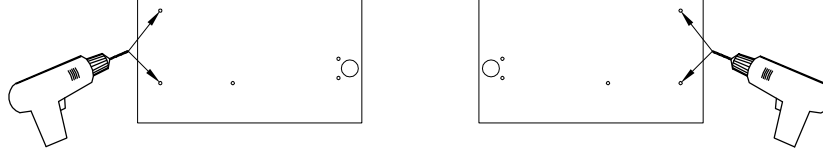
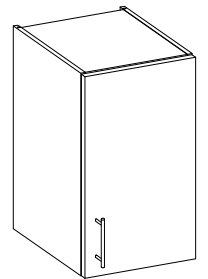
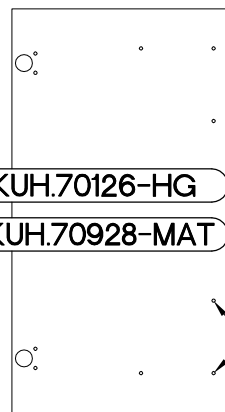
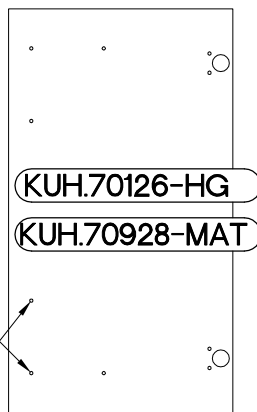
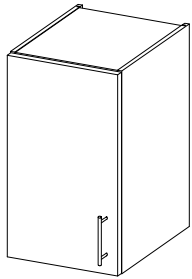
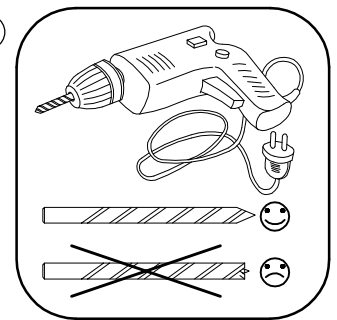
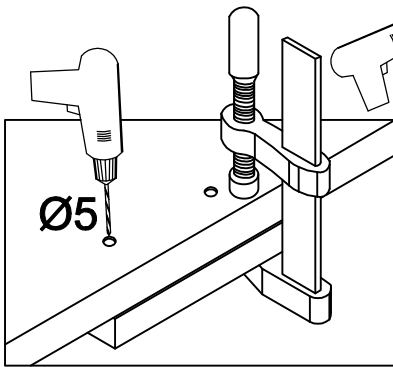
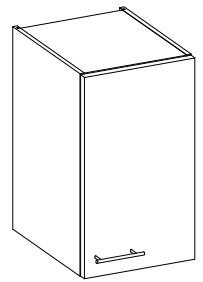
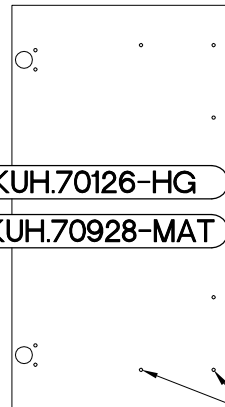
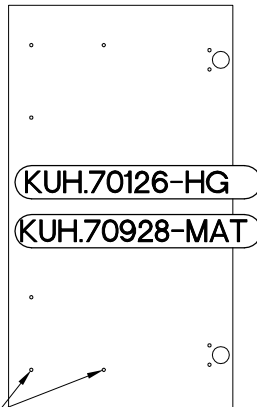
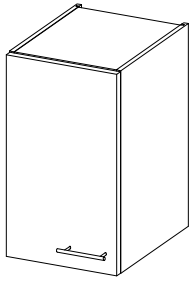
4 40 G-72 1F





LEFT

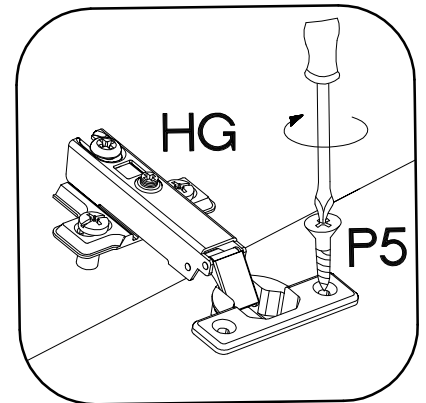
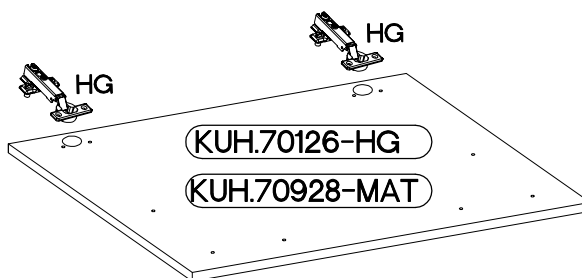


RIGHT





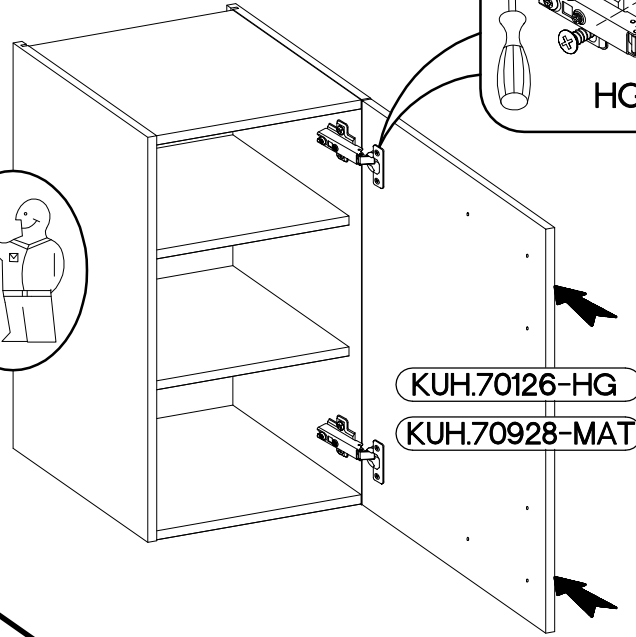
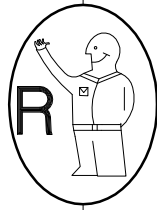
5

 †35/0mm [CD] HG 2	 †3.5x13mm P5 4
--	---



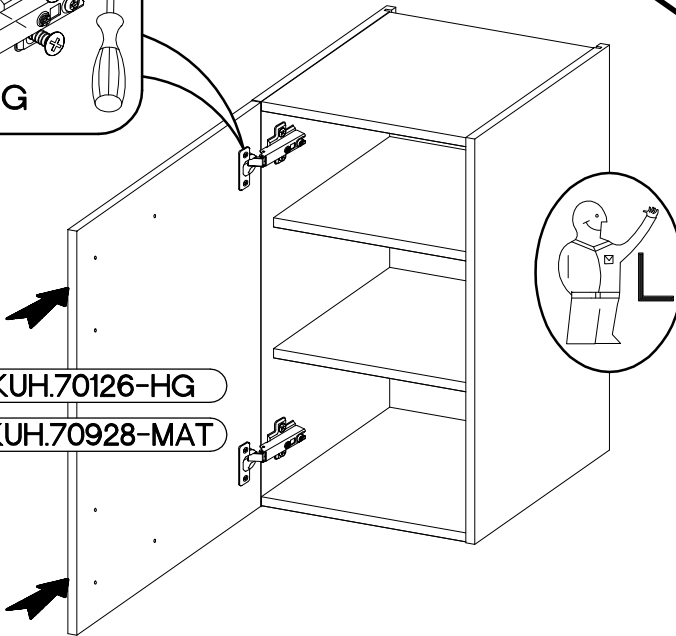
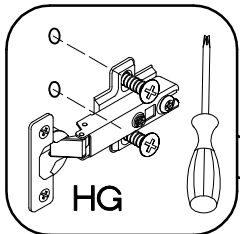
6

M4x22mm	L=128mm
 U	 S
2	1



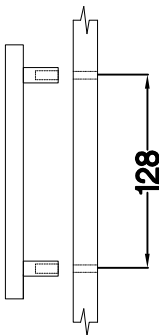
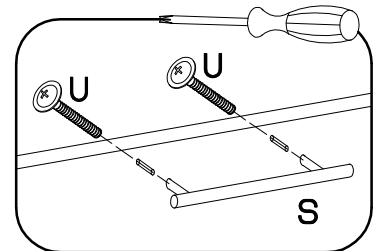
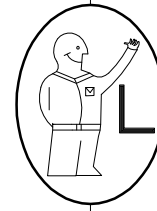
KUH.70126-HG

KUH.70928-MAT

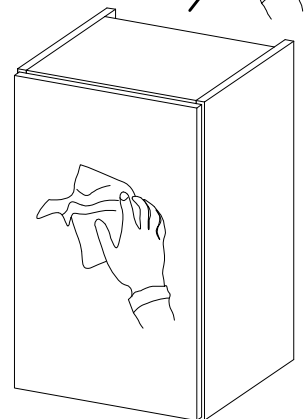
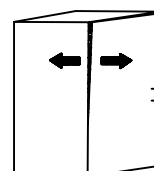
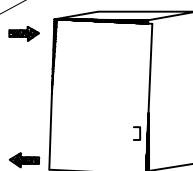
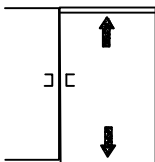
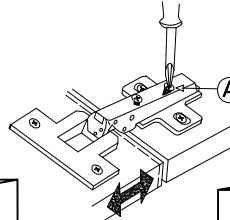
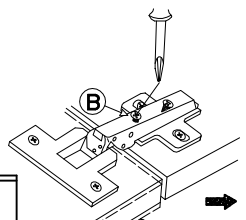
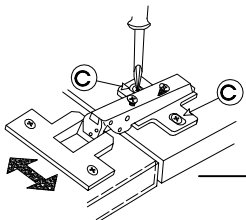
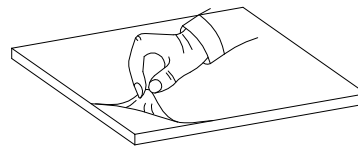
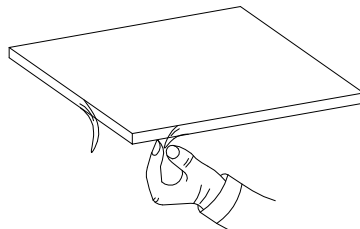


KUH.70126-HG

KUH.70928-MAT



VARIANT HIGH GLOSS

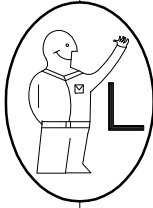
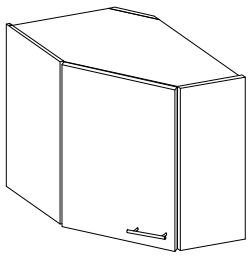


7

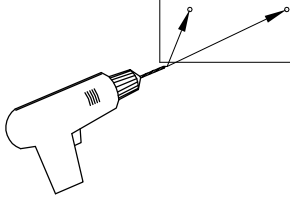
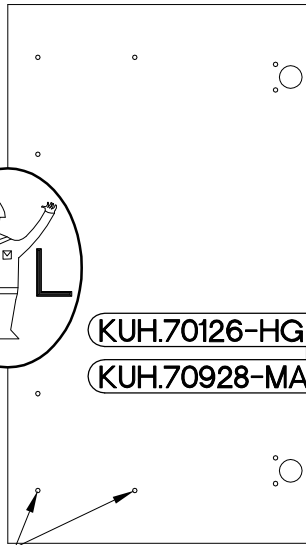
58x58 GN-72 1F

LEFT

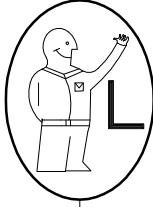
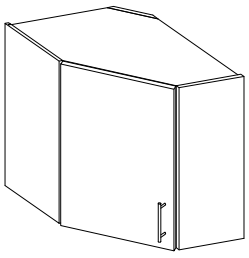
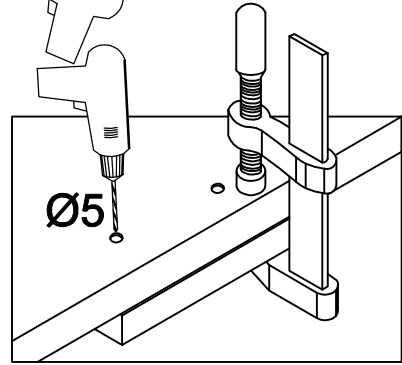
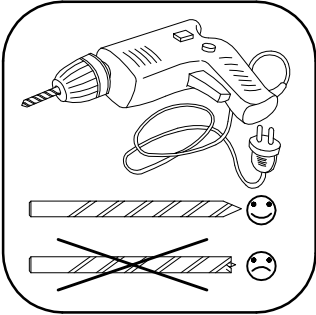
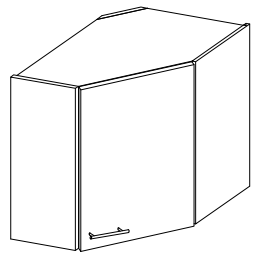
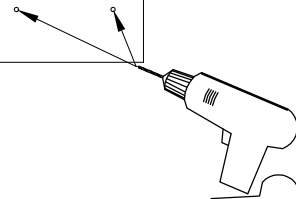
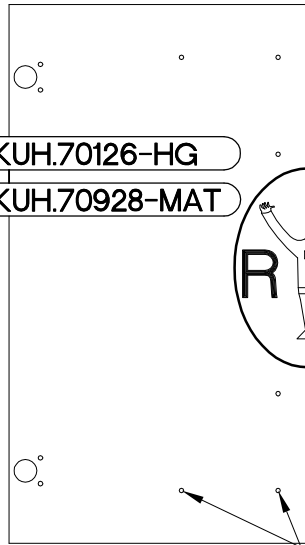
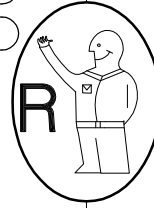
RIGHT



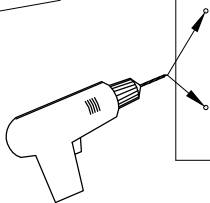
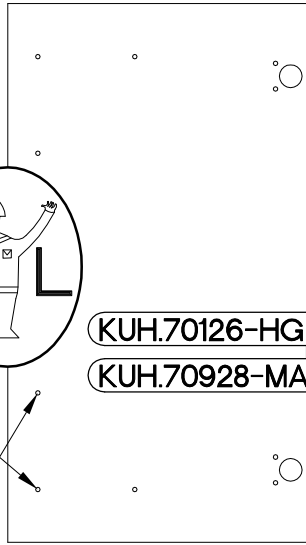
KUH.70126-HG
KUH.70928-MAT



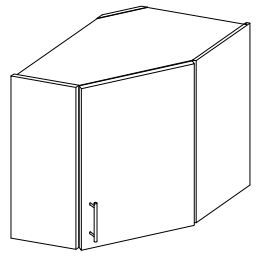
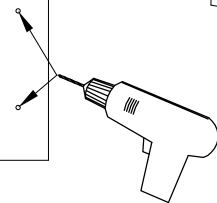
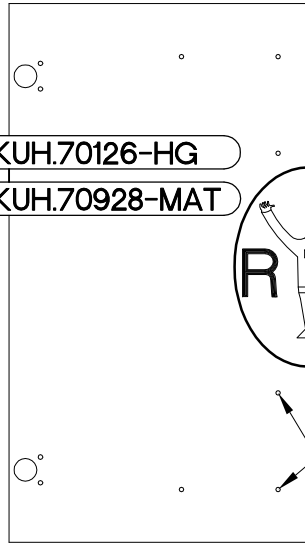
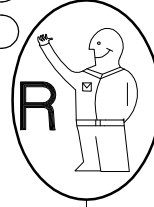
KUH.70126-HG
KUH.70928-MAT





KUH.70126-HG
KUH.70928-MAT

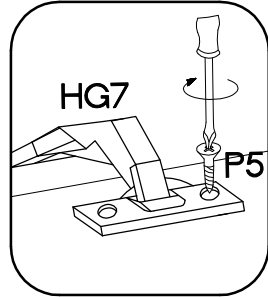
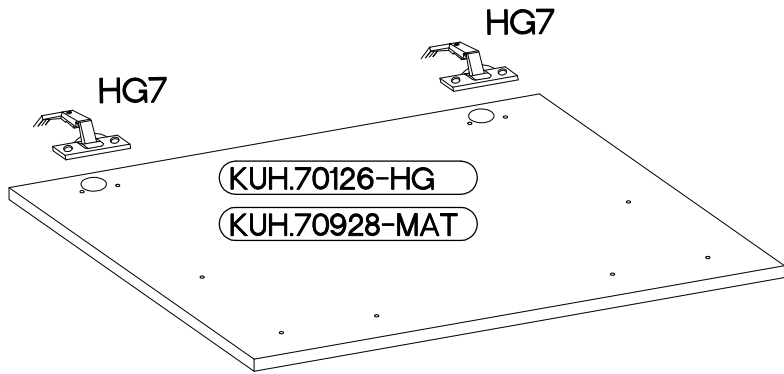


KUH.70126-HG
KUH.70928-MAT





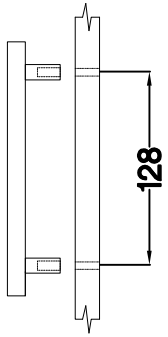
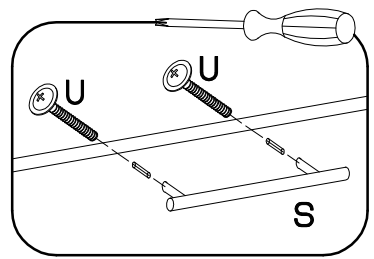
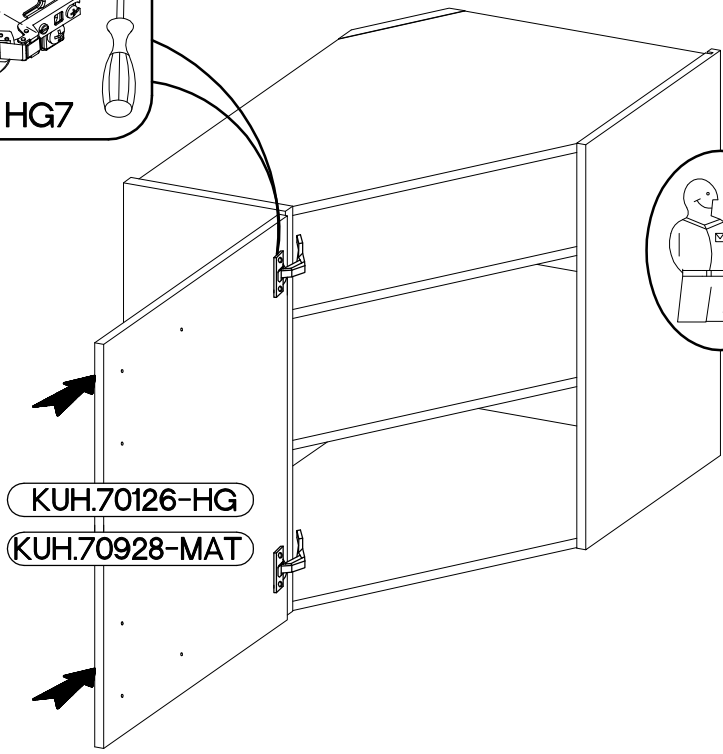
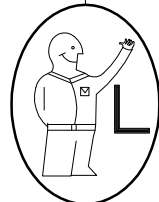
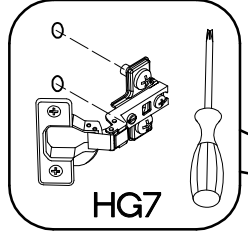
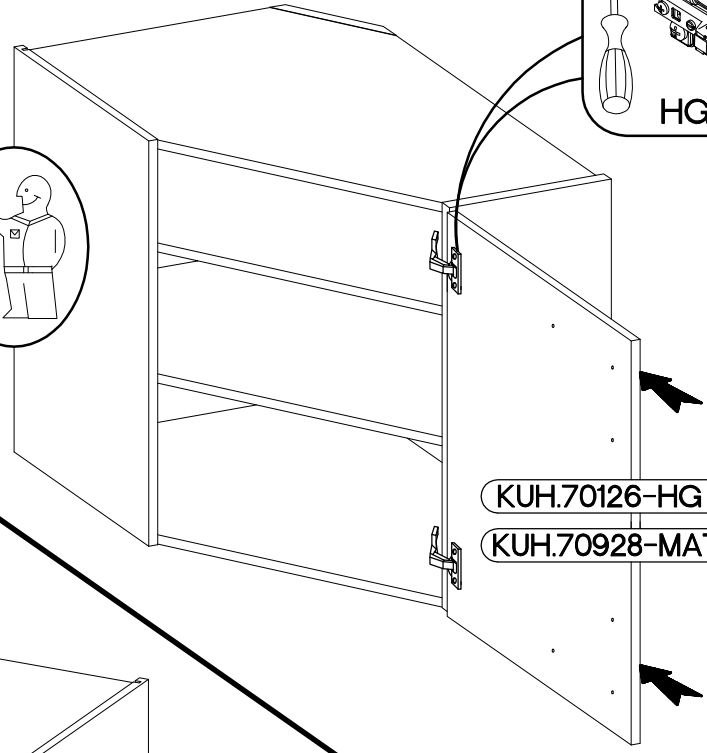
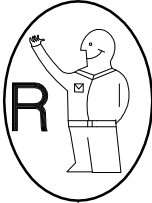
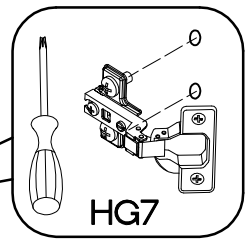
8

	
+35/45° H=0	+3.5x13mm
(CD) HG7	P5
2	4

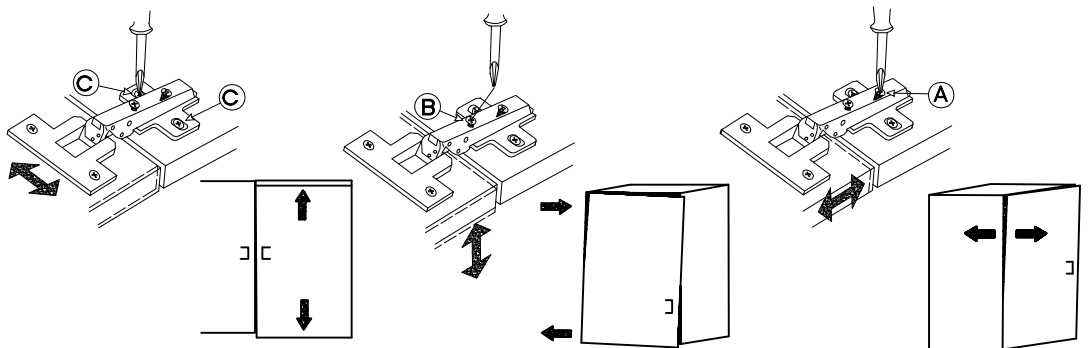
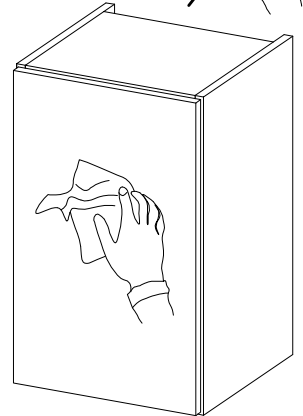
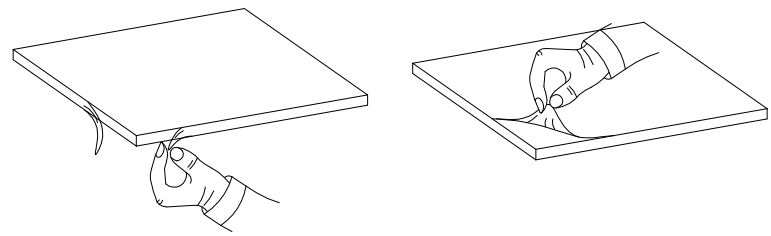


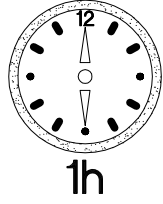
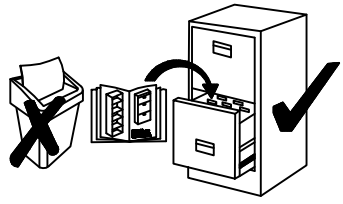
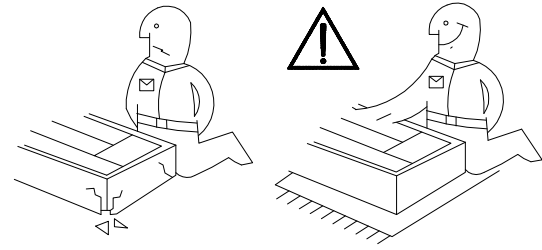
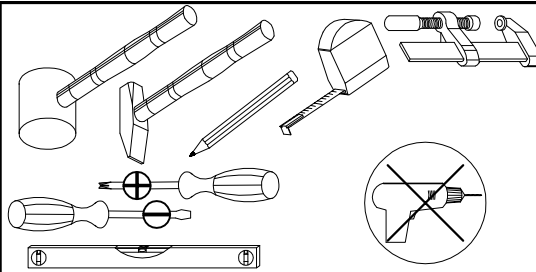
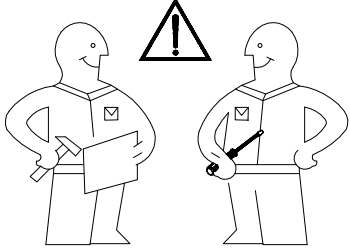
9

M4x22mm	L=128mm
	
U	S
2	1

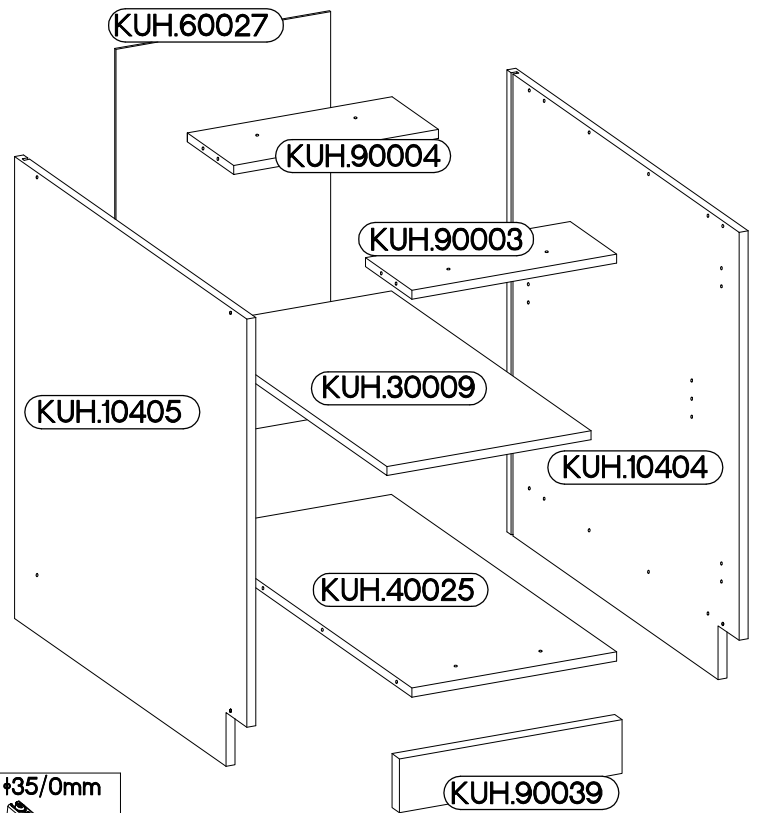
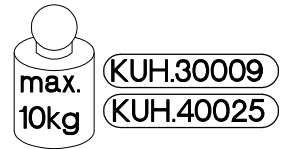
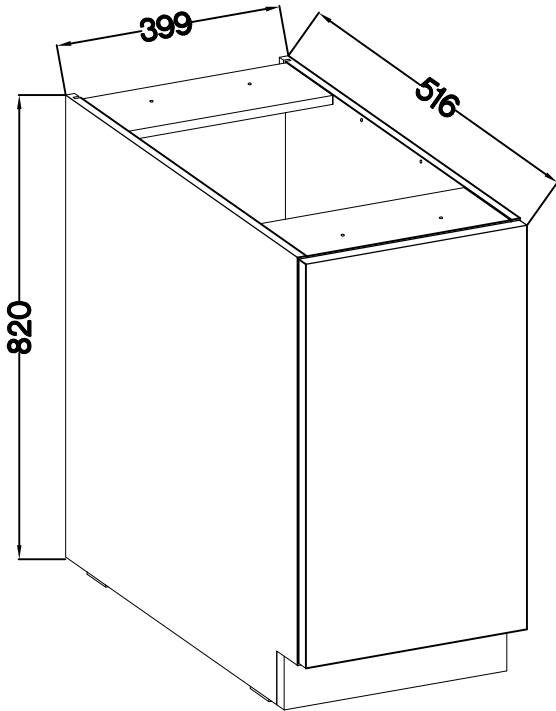


VARIANT HIGH GLOSS





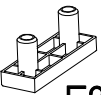
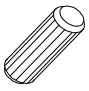
40 D 1F BB

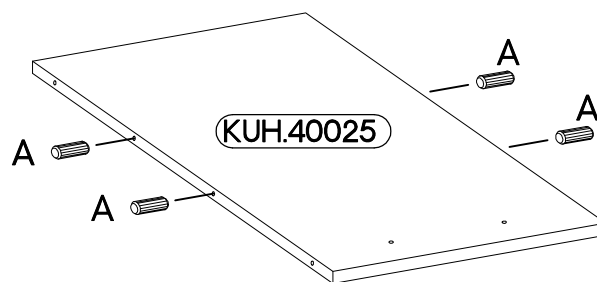
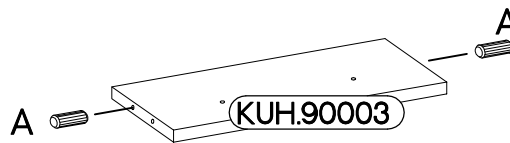
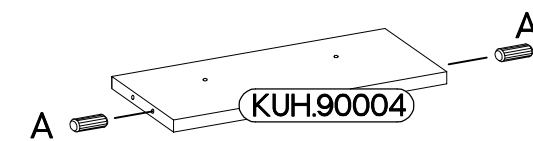
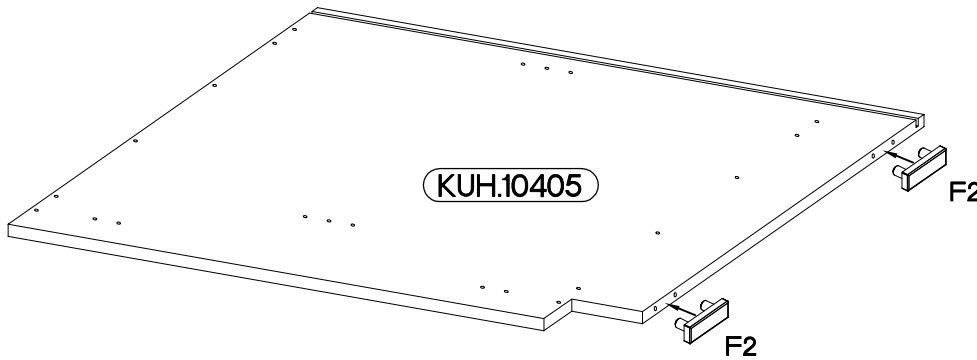
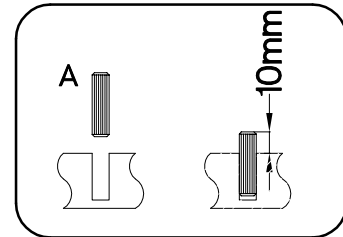
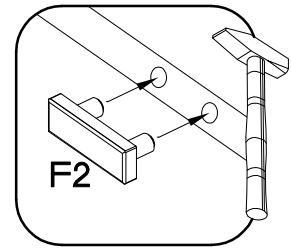
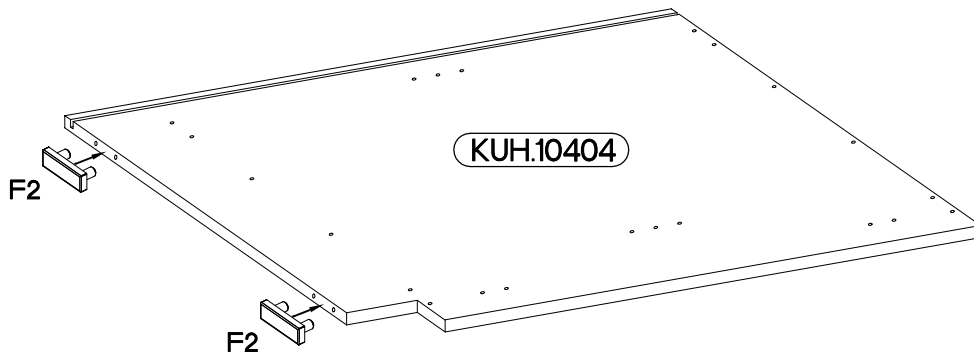
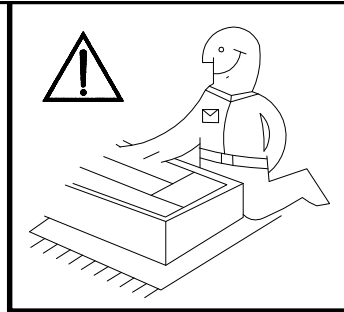


±8x30mm A	6,4 x 50mm B	 E1	 E9	6.5x48x16 F2	±35/0mm HG
8	8	8	2	4	2
±5/19mm J	 O	±4.0x45mm P4	±3.5x13mm P5	±3.0x20mm P7	±4.0x35mm R3
4	1	2	4	8-10	4


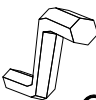
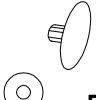
ISM-KUH-01612

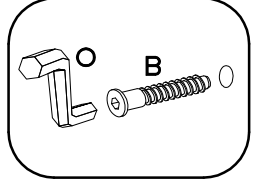
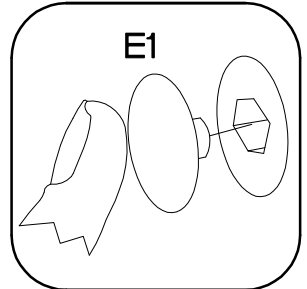
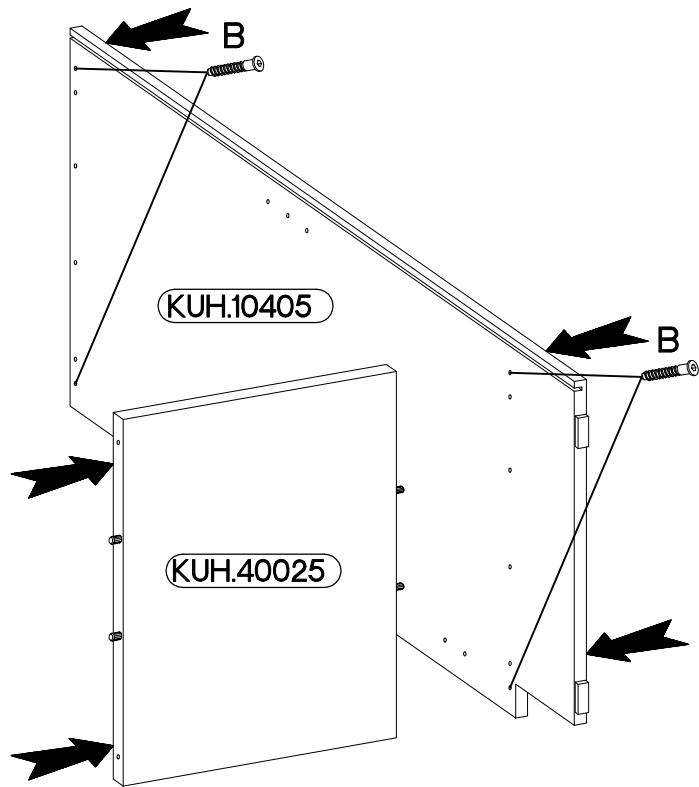
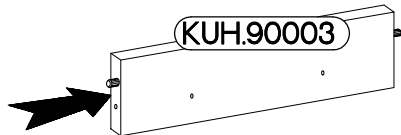
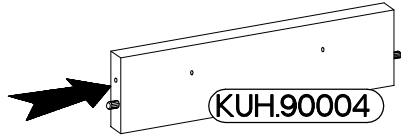
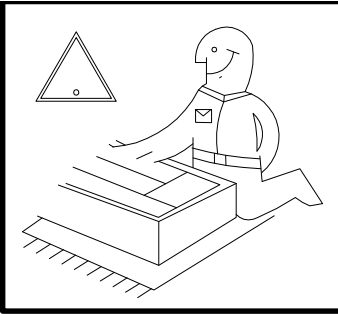
1

6.5x48x16  F2 4	+8x30mm  A 8
--	---

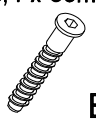
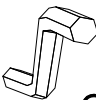
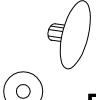


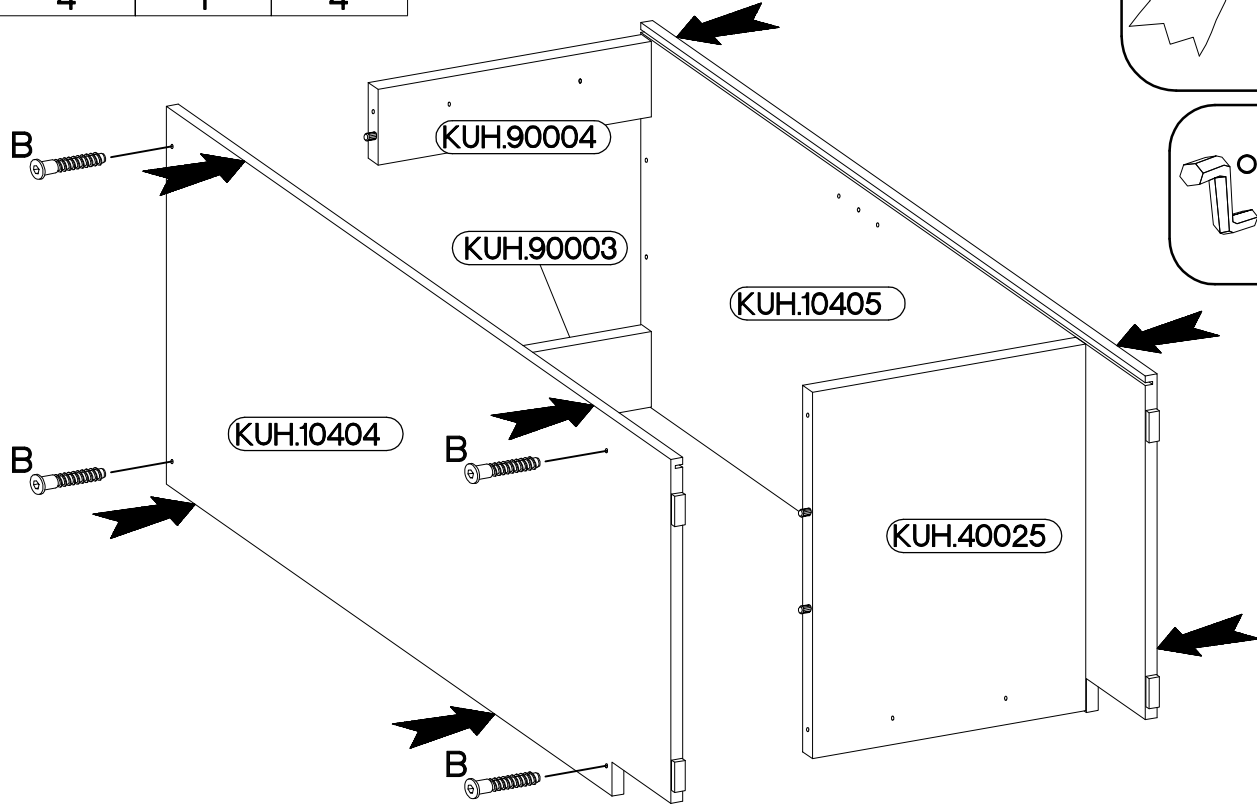
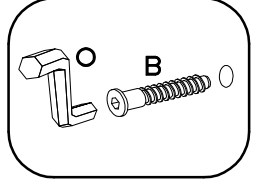
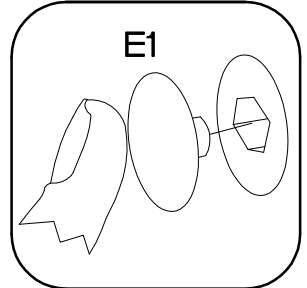
2

6,4 x 50mm		
		
B	O	E1
4	1	4

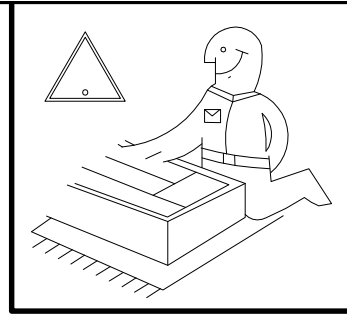
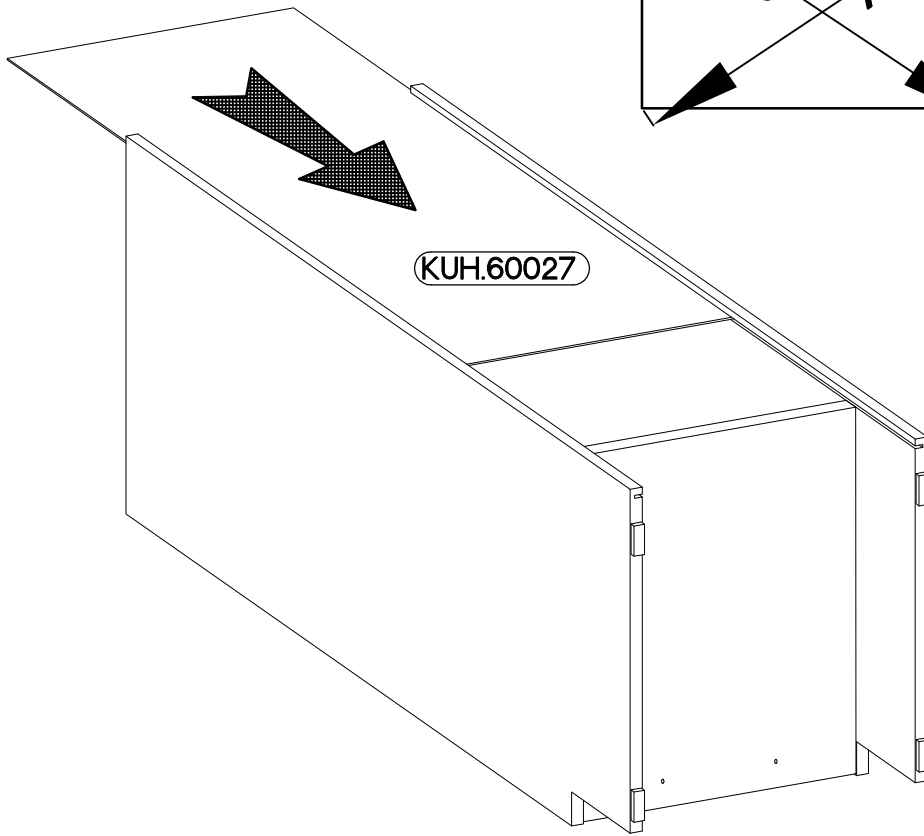


3

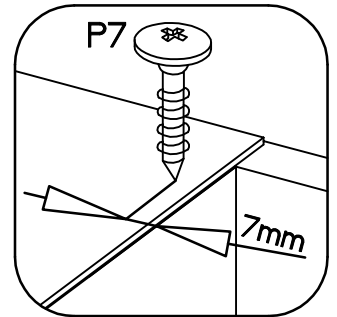
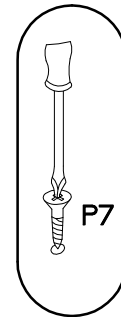
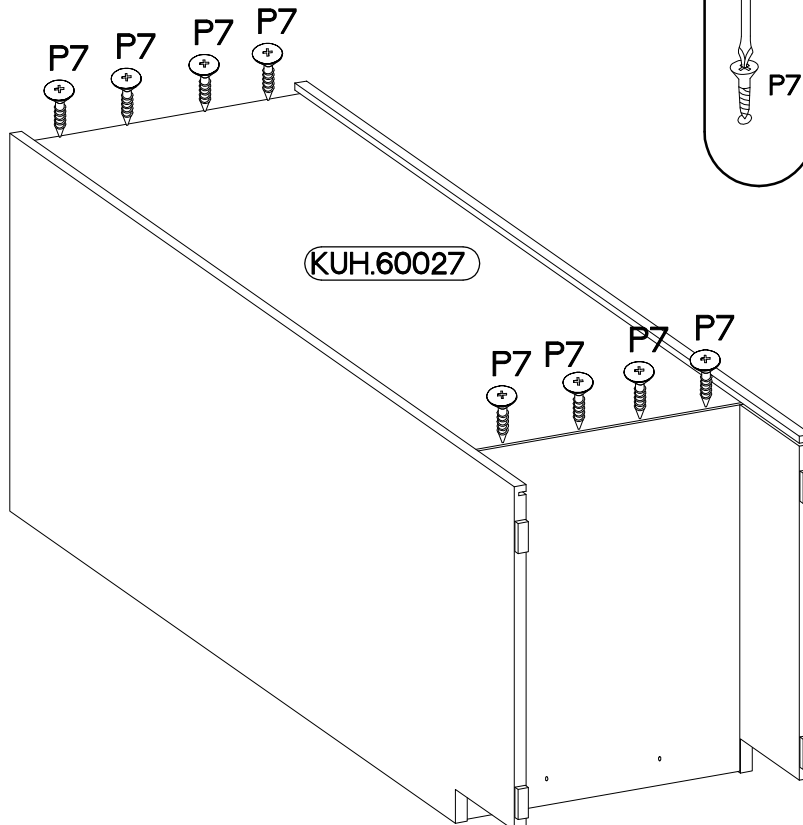
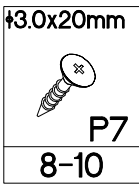
6,4 x 50mm		
		
B	O	E1
4	1	4





4

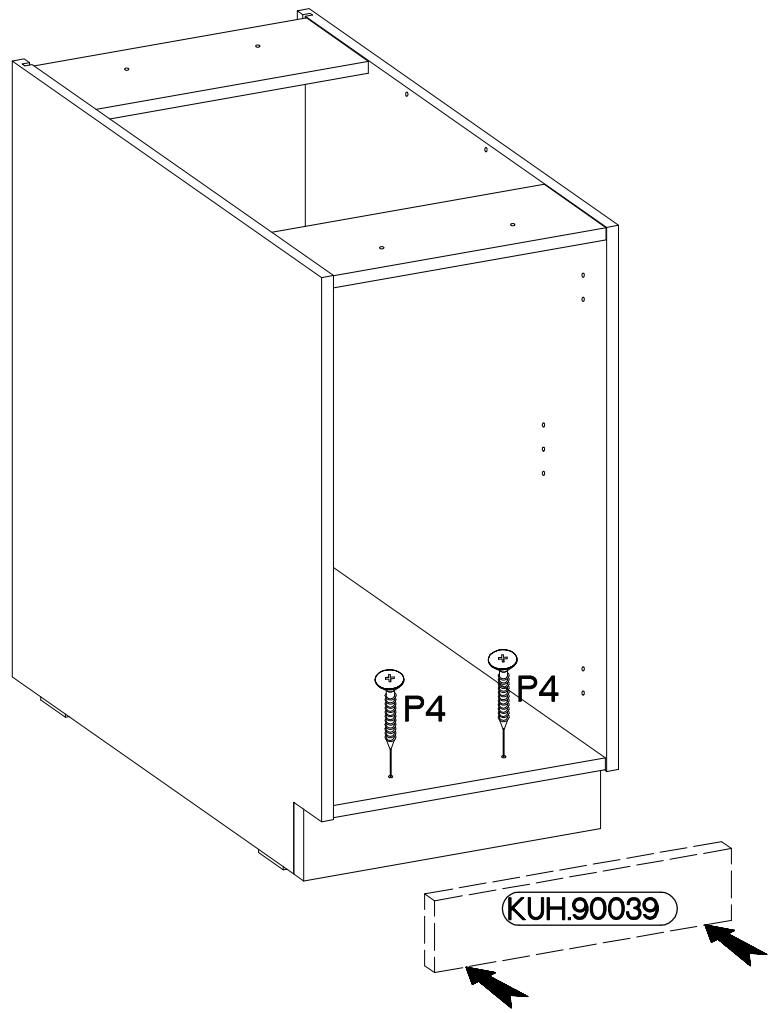
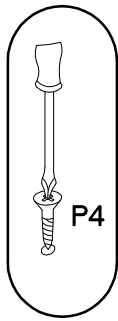
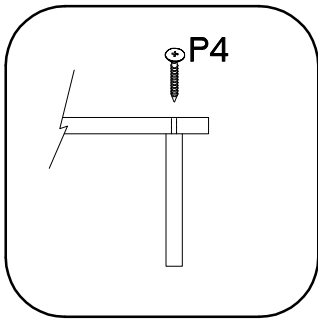


5




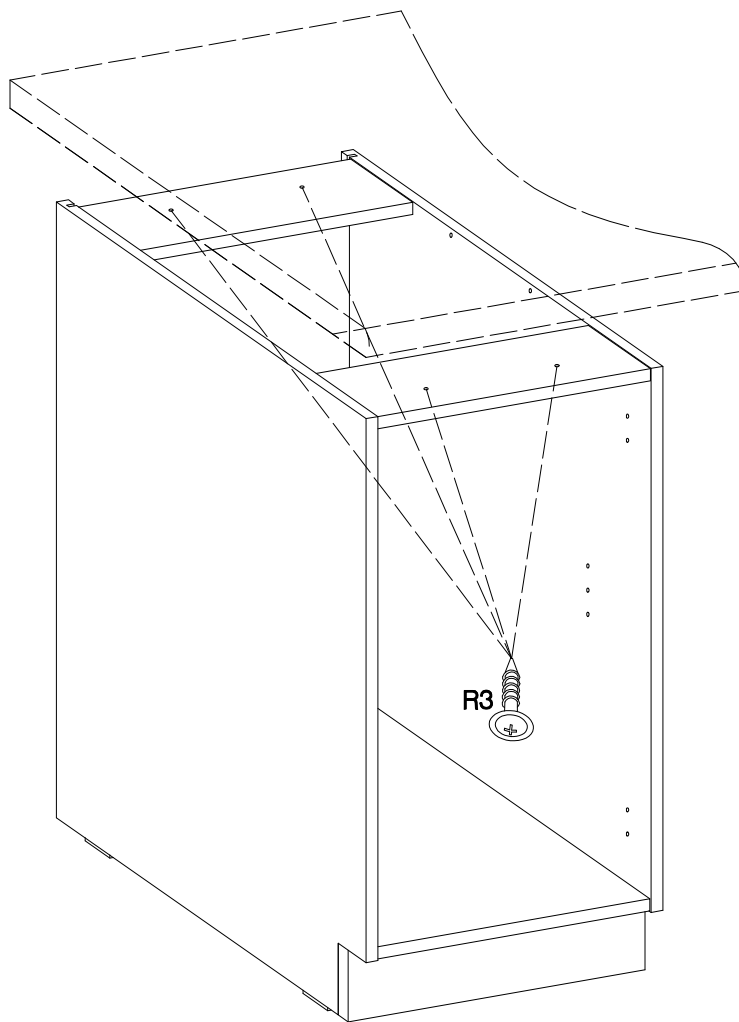
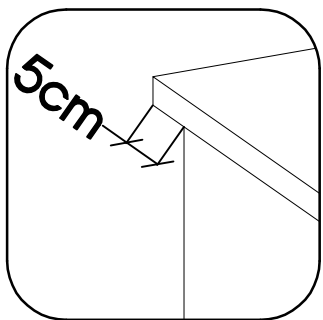
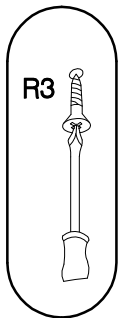
6

+4.0x45mm	
	
P4	E9
2	2



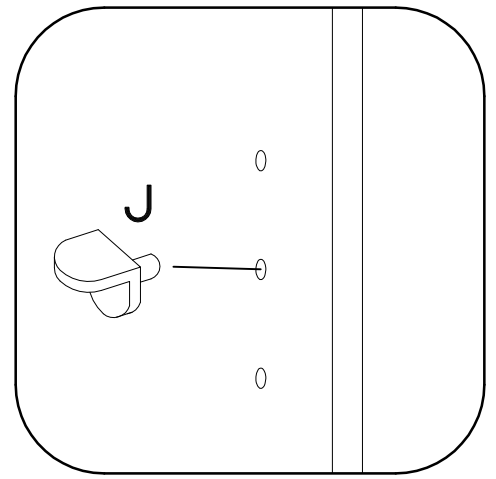
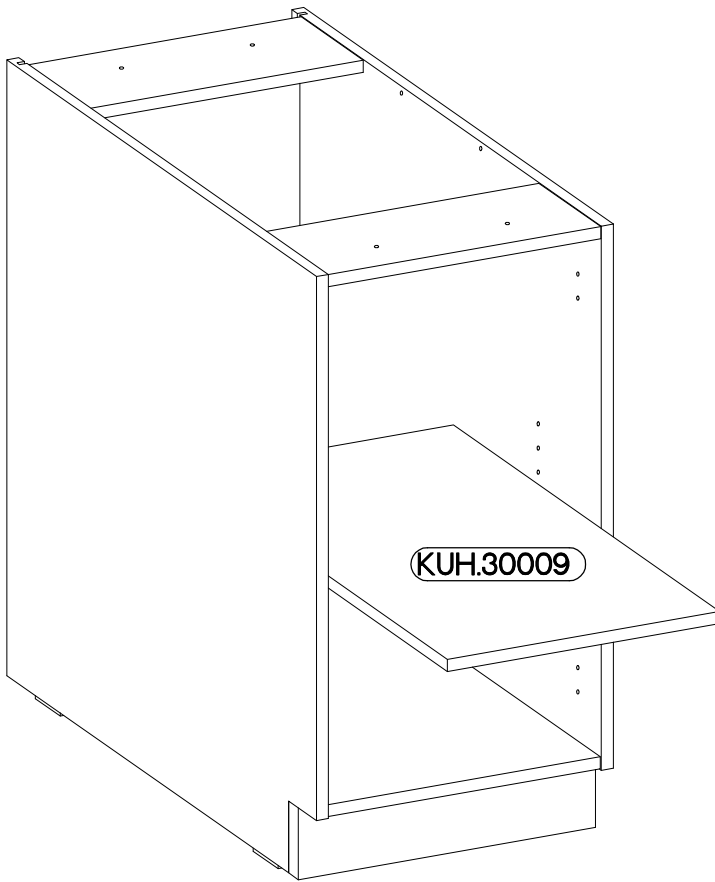
7

+4.0x35mm	
	
R3	
4	



8

±5/19mm
J
4



9

FRONT

