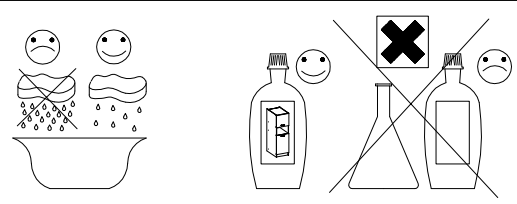
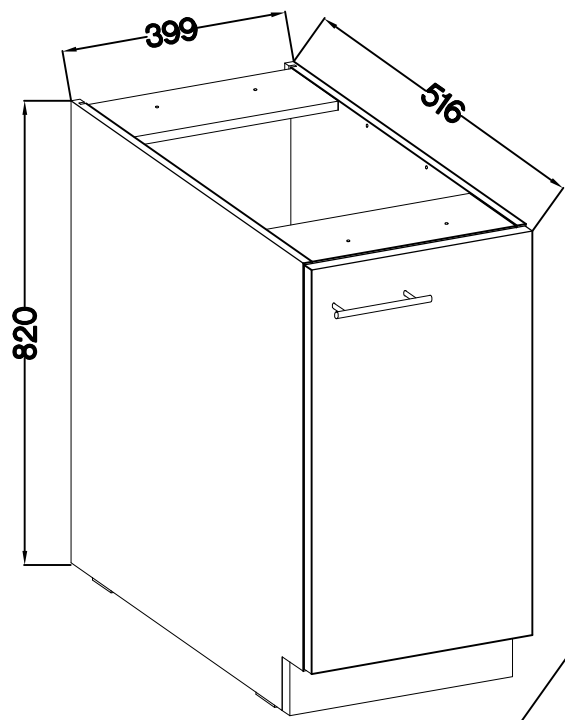


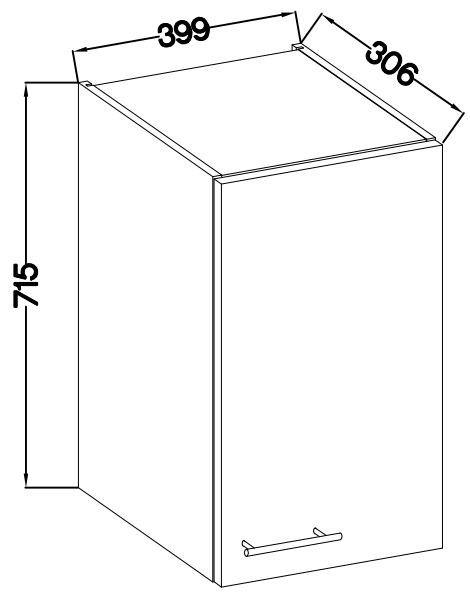
40 D 1F BB  
40 G-72 1F  
58x58 GN-72 1F  
FRONT



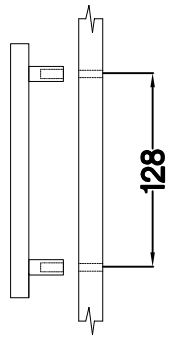
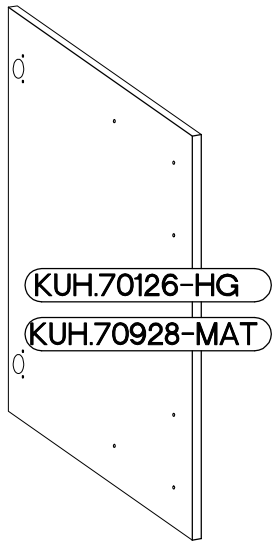
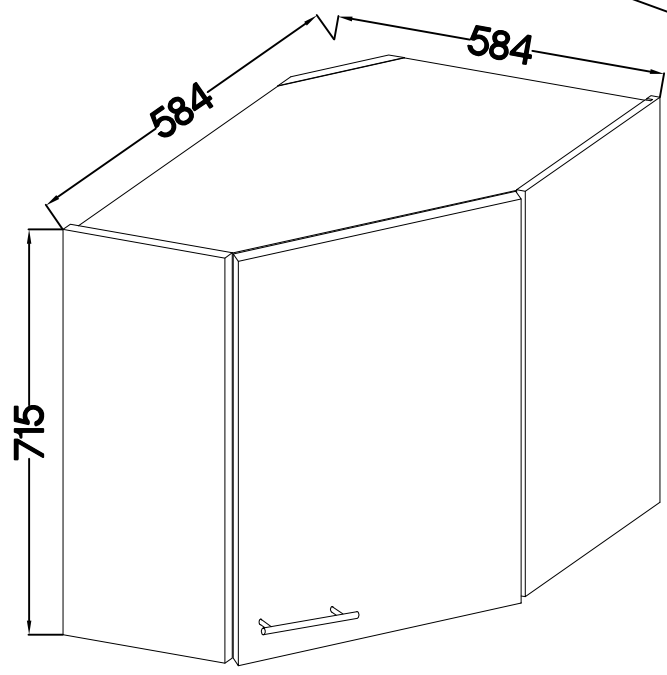
### 40 D 1F BB





### 40 G-72 1F



### 58x58 GN-72 1F



M4x22mm	L=128mm
	
U	S
2	1

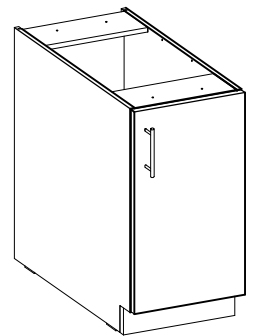
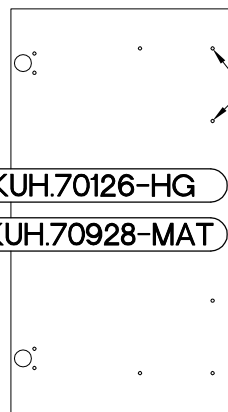
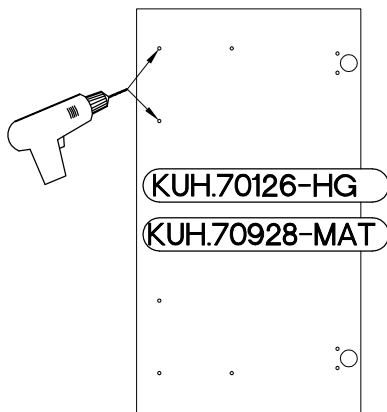
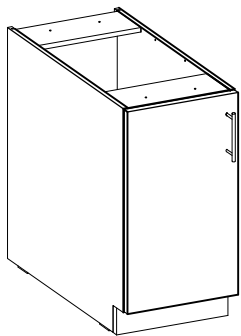
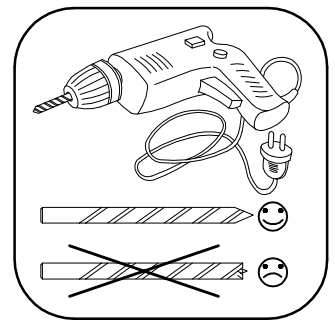
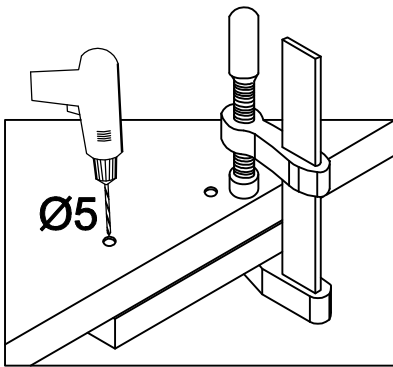
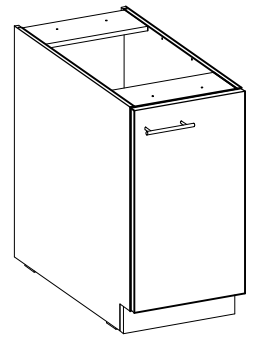
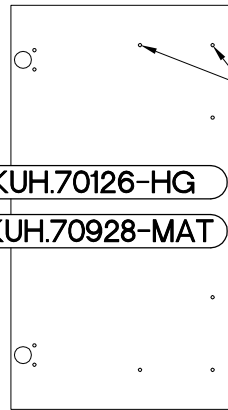
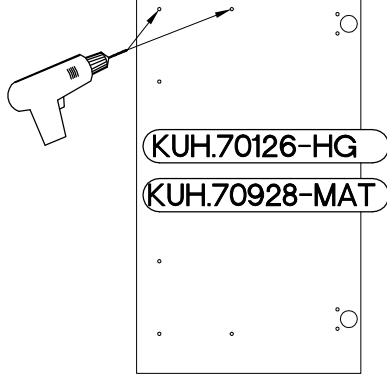
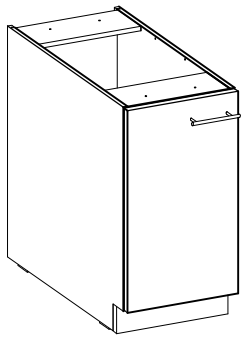
# 1 40 D 1F BB



LEFT

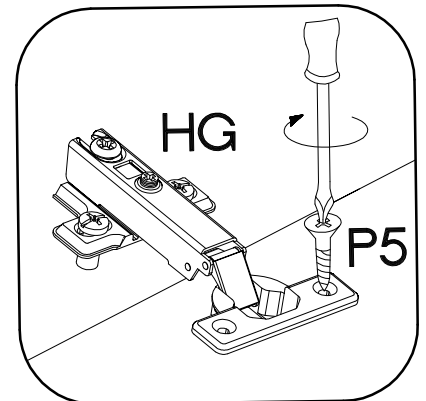
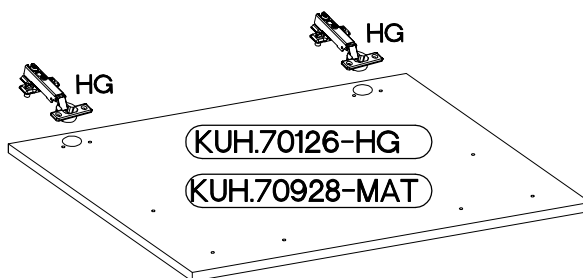


RIGHT


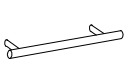


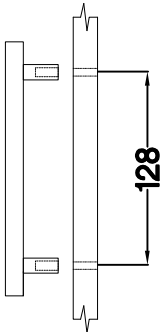
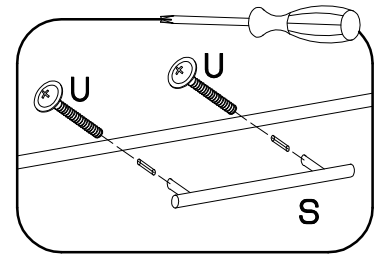
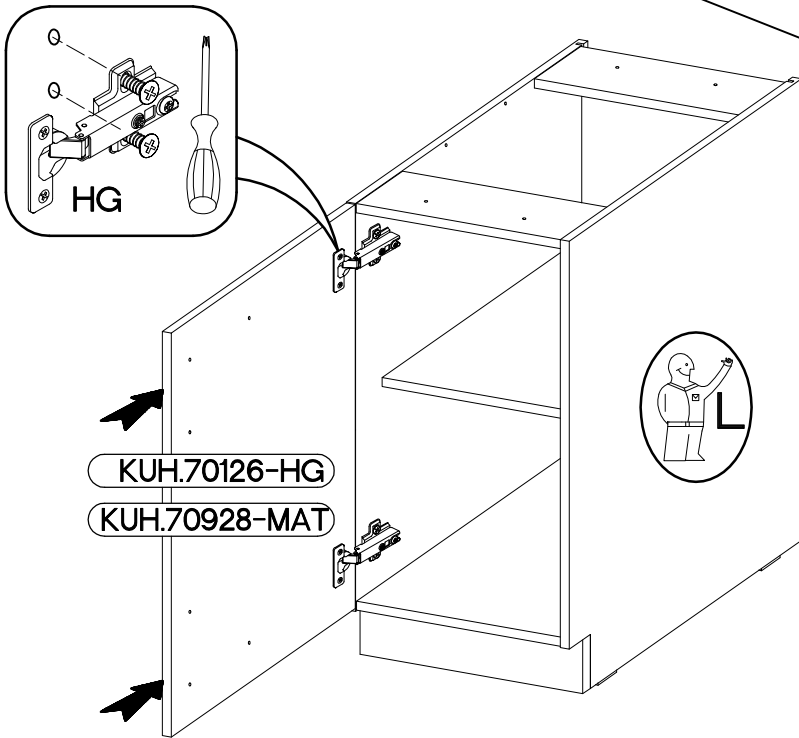
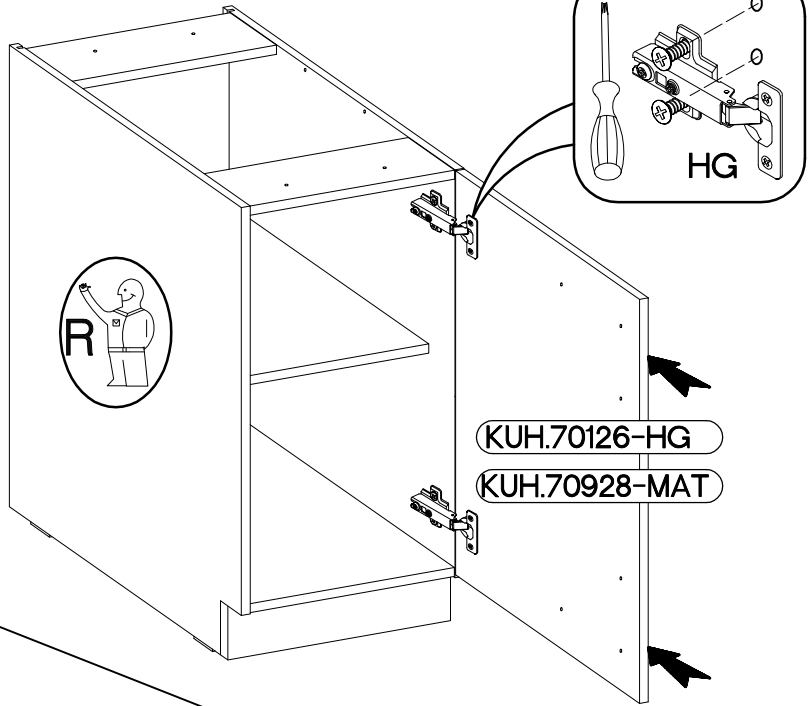
# 2

 †35/0mm [CD] HG 2	 †3.5x13mm P5 4
-----------------------------	--------------------------

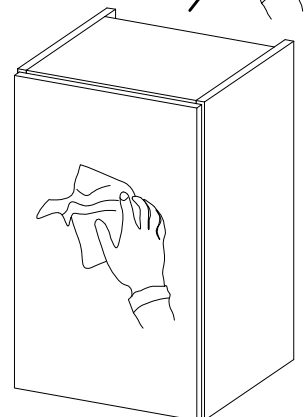
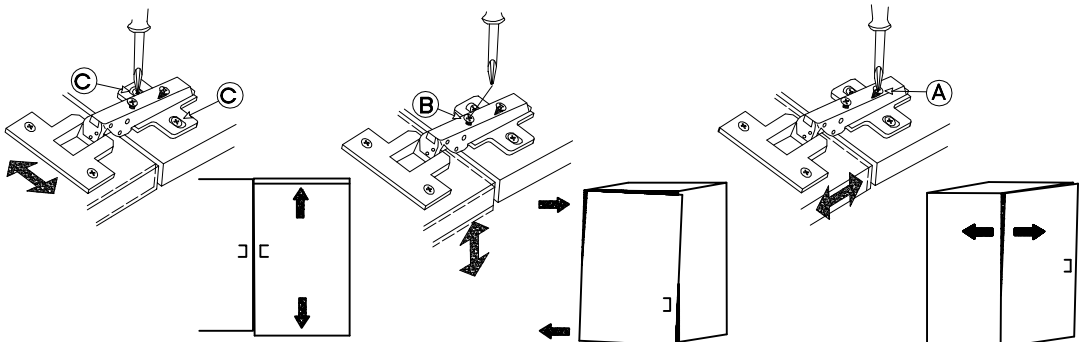
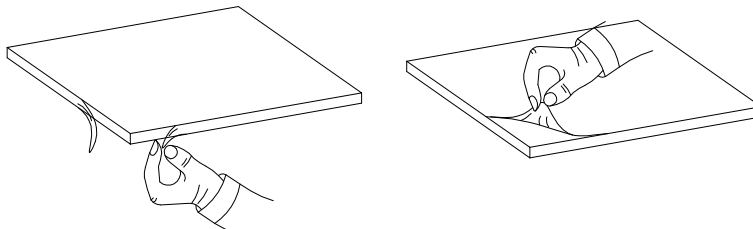


3

M4x22mm	L=128mm
	
U	S
2	1



### VARIANT HIGH GLOSS



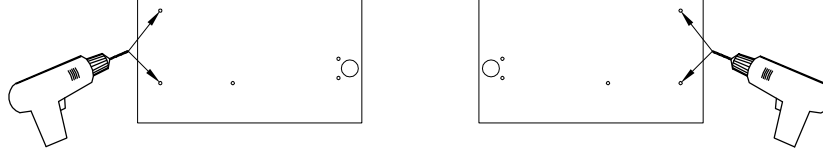
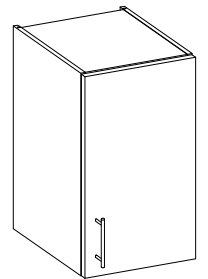
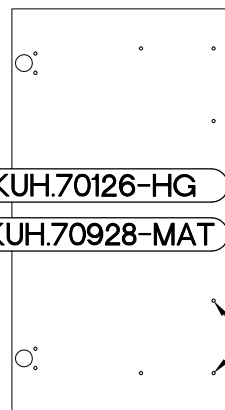
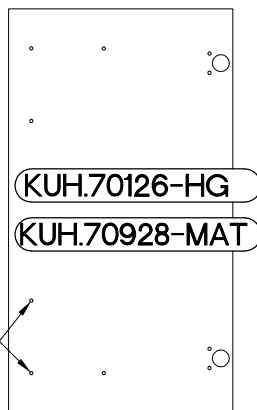
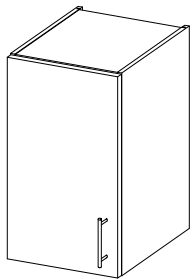
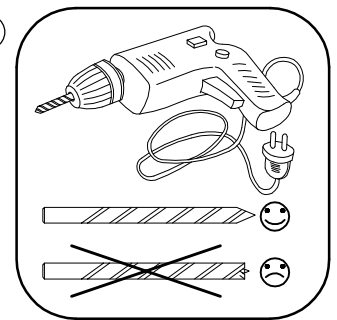
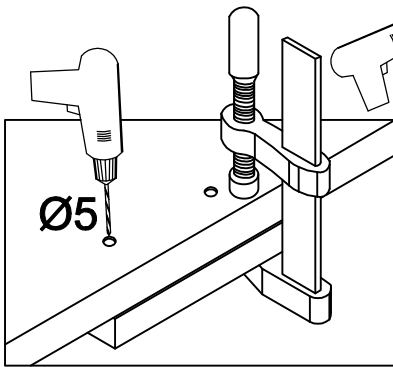
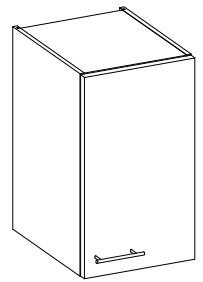
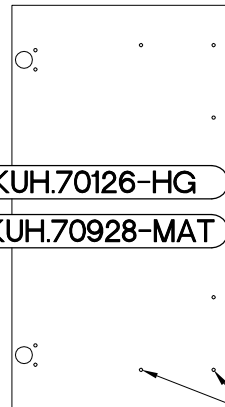
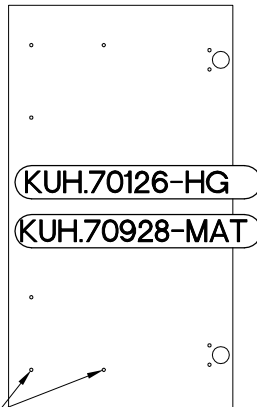
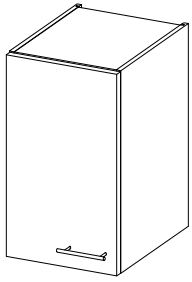
# 4 40 G-72 1F





LEFT

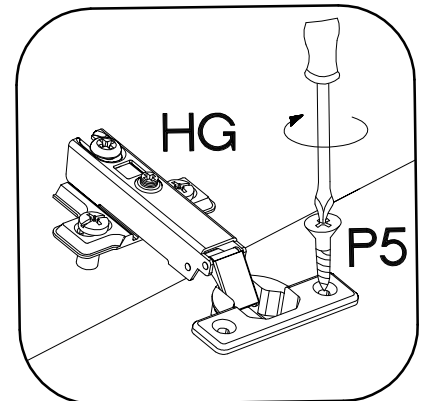
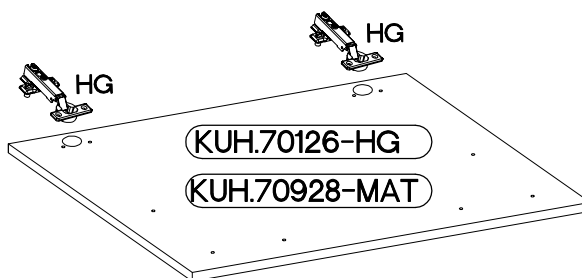


RIGHT





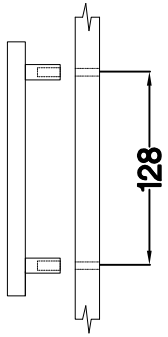
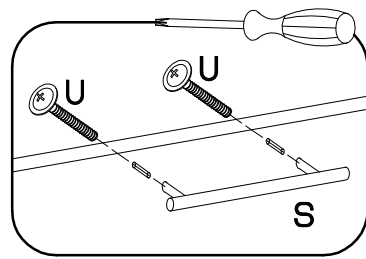
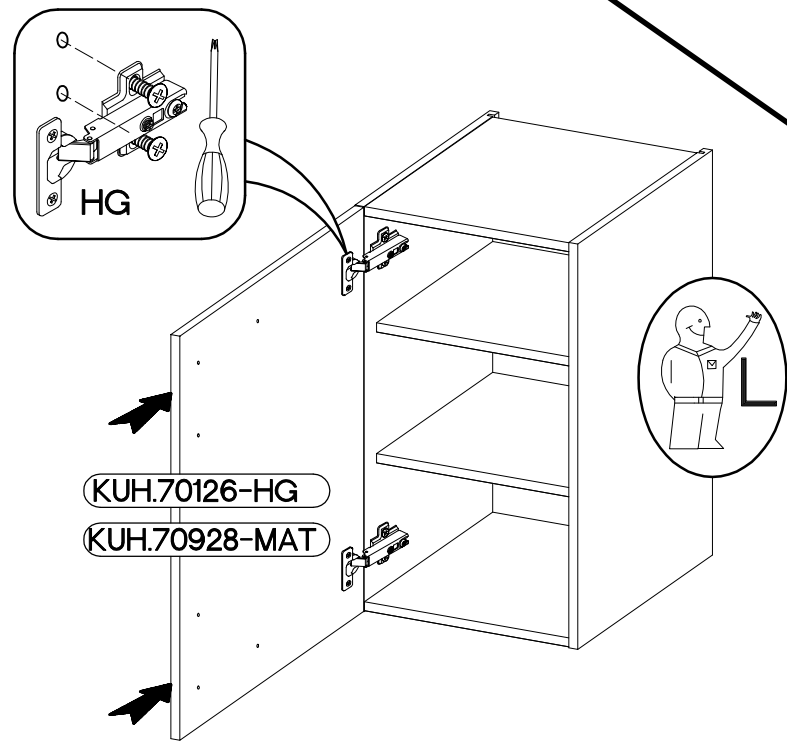
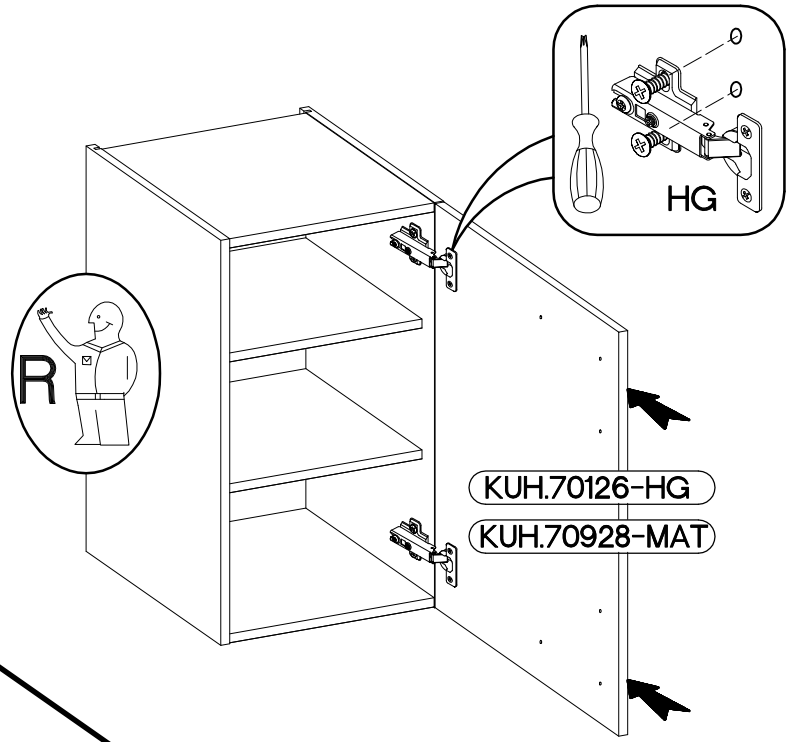
# 5

 †35/0mm [CD] HG 2	 †3.5x13mm P5 4
--	---

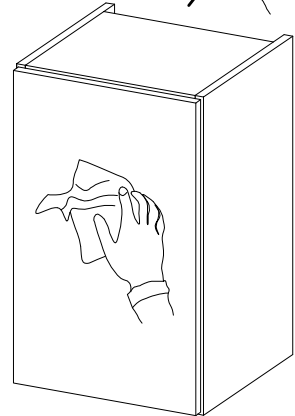
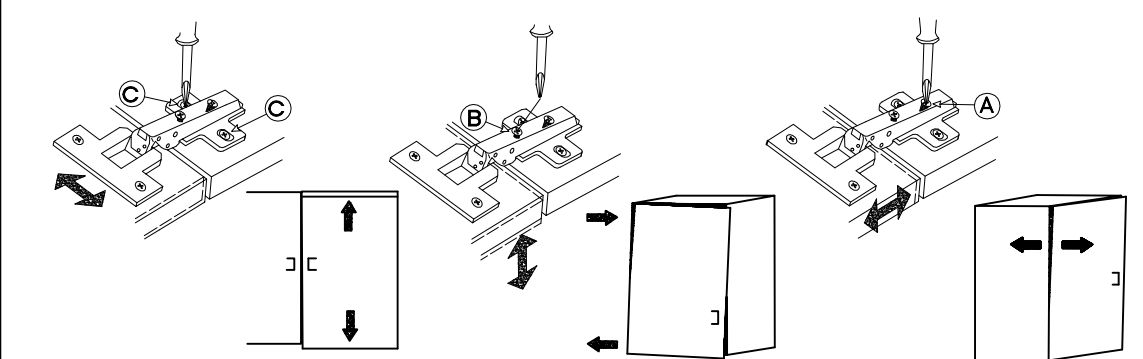
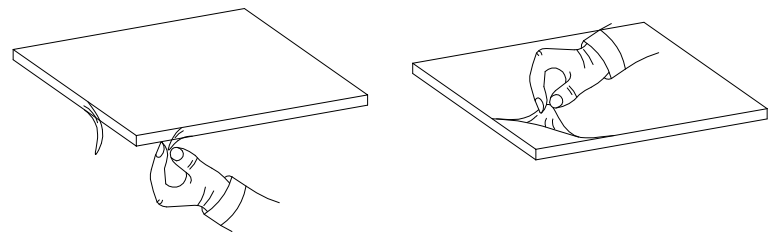


# 6

M4x22mm	L=128mm
 U	 S
2	1



## VARIANT HIGH GLOSS

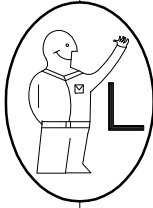
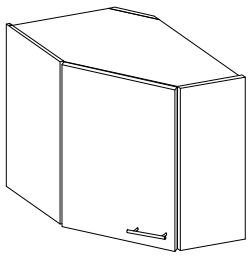


# 7

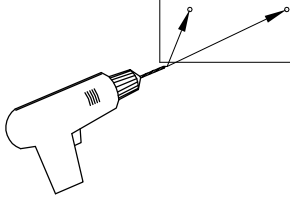
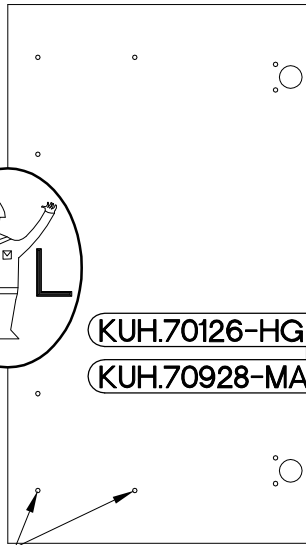
58x58 GN-72 1F

LEFT

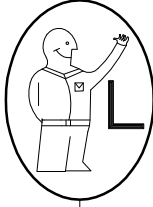
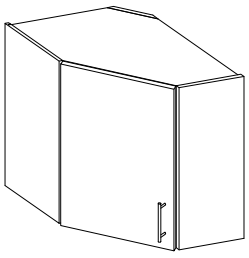
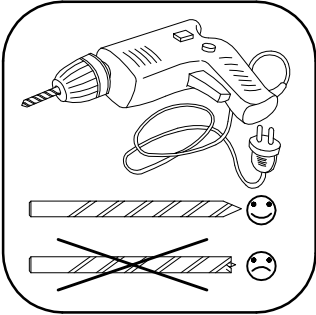
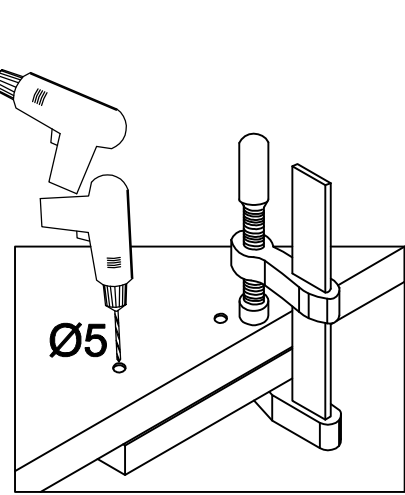
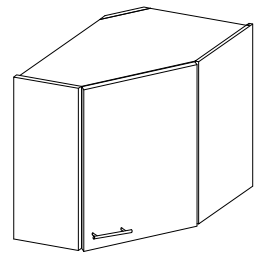
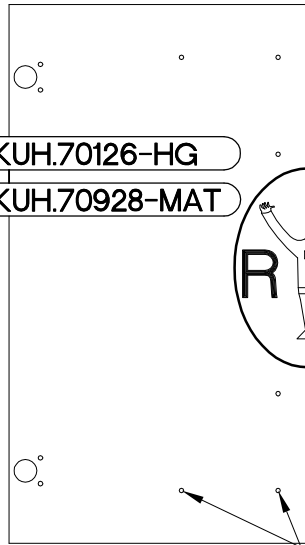
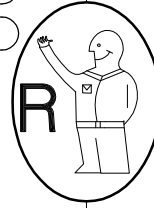
RIGHT



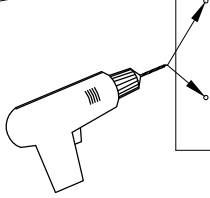
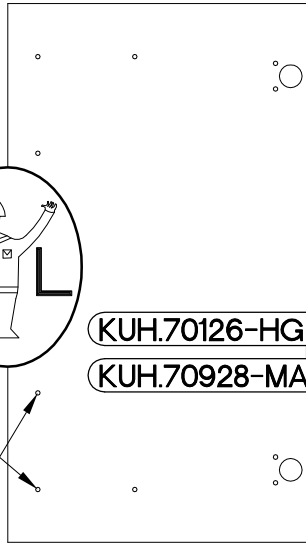
KUH.70126-HG  
KUH.70928-MAT



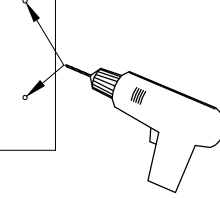
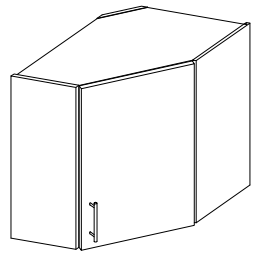
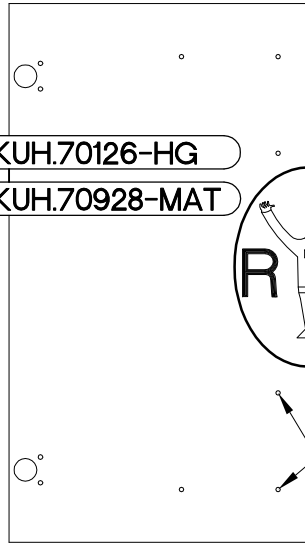
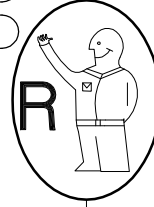
KUH.70126-HG  
KUH.70928-MAT





KUH.70126-HG  
KUH.70928-MAT

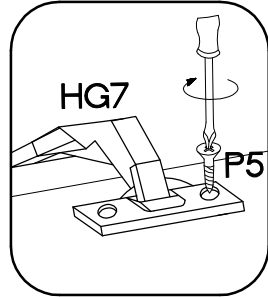
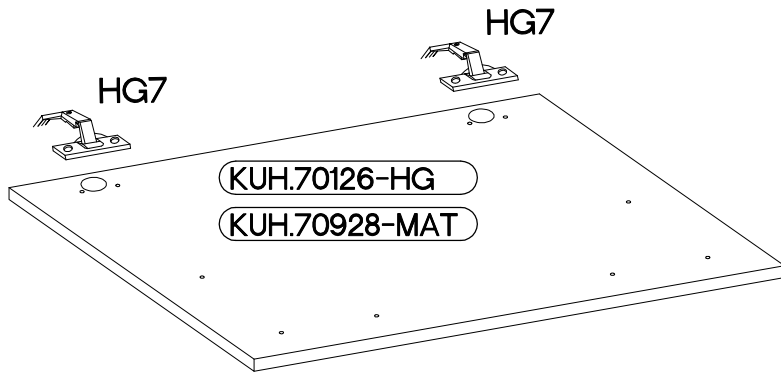


KUH.70126-HG  
KUH.70928-MAT





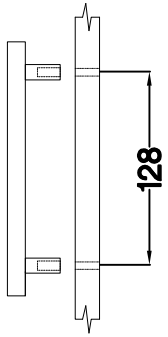
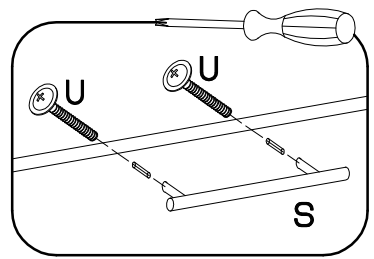
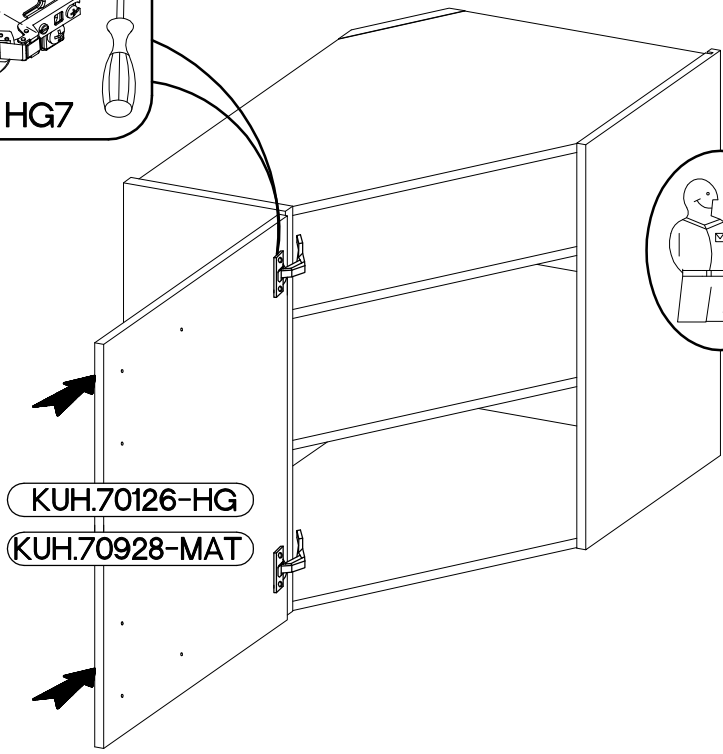
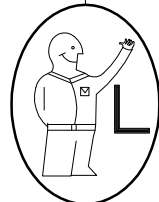
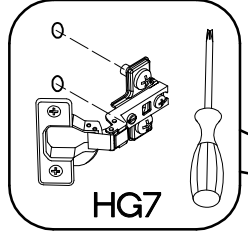
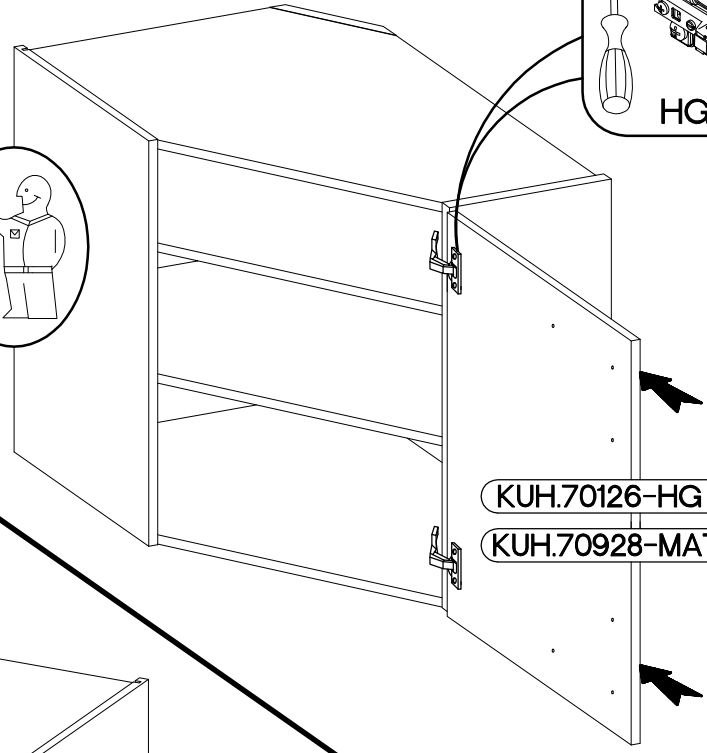
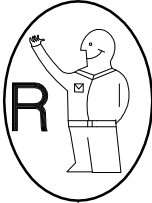
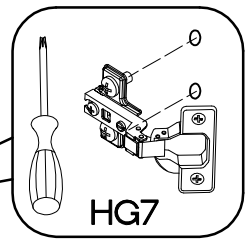
# 8

	
+35/45° H=0	+3.5x13mm
(CD) HG7	P5
2	4

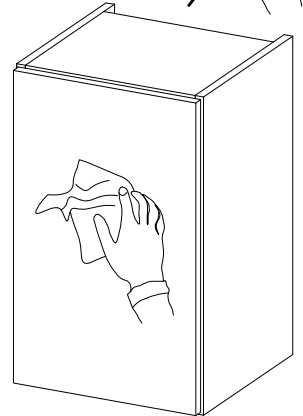
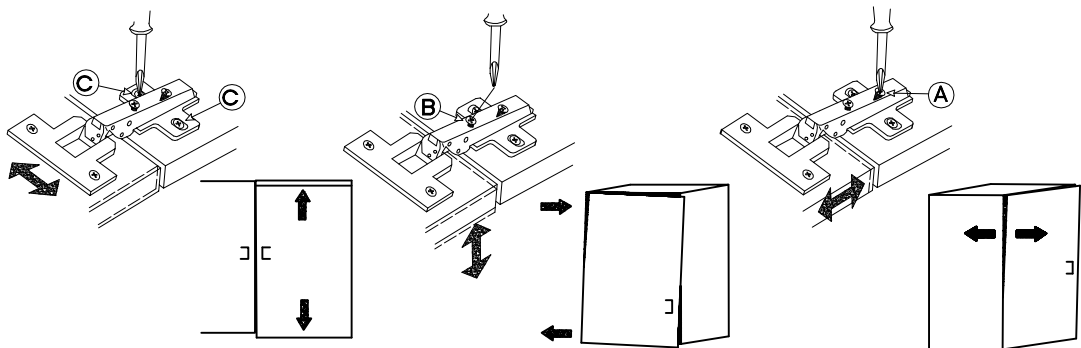
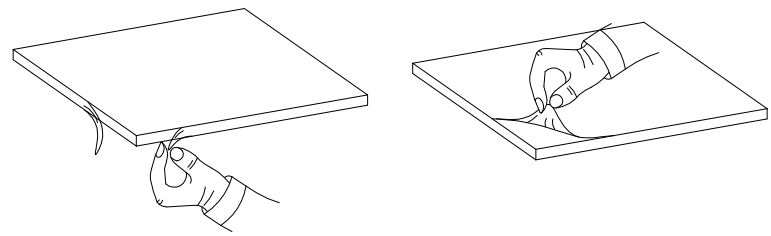


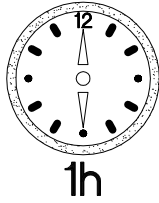
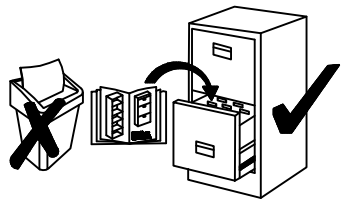
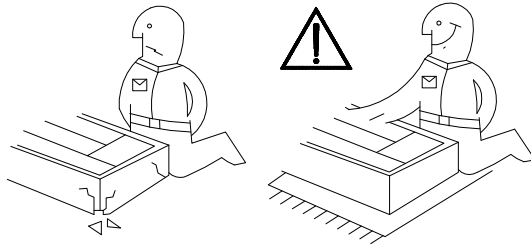
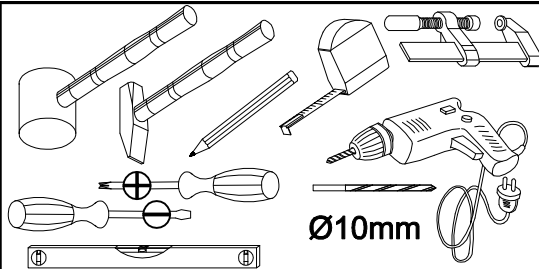
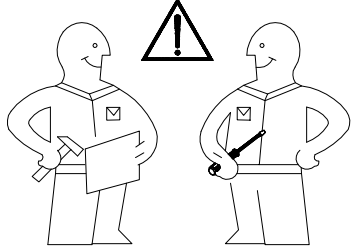
9

M4x22mm	L=128mm
	
U	S
2	1

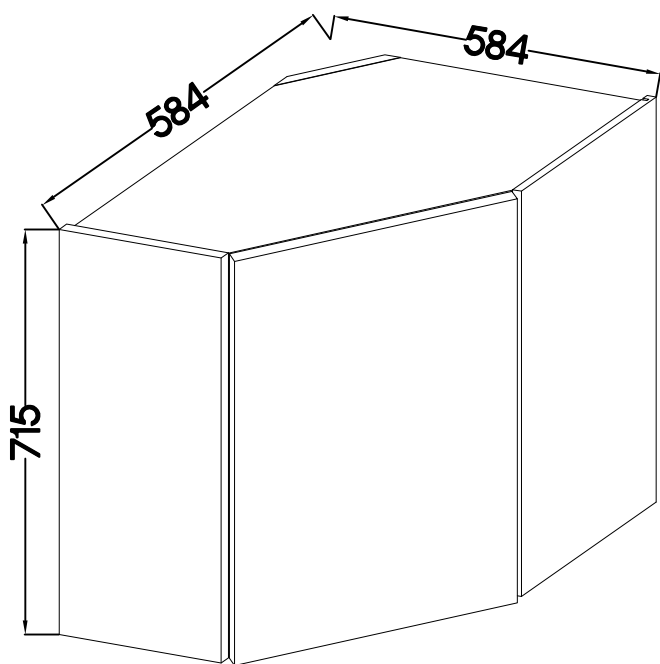
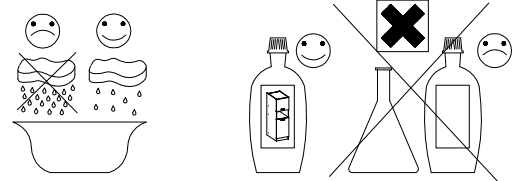


VARIANT HIGH GLOSS

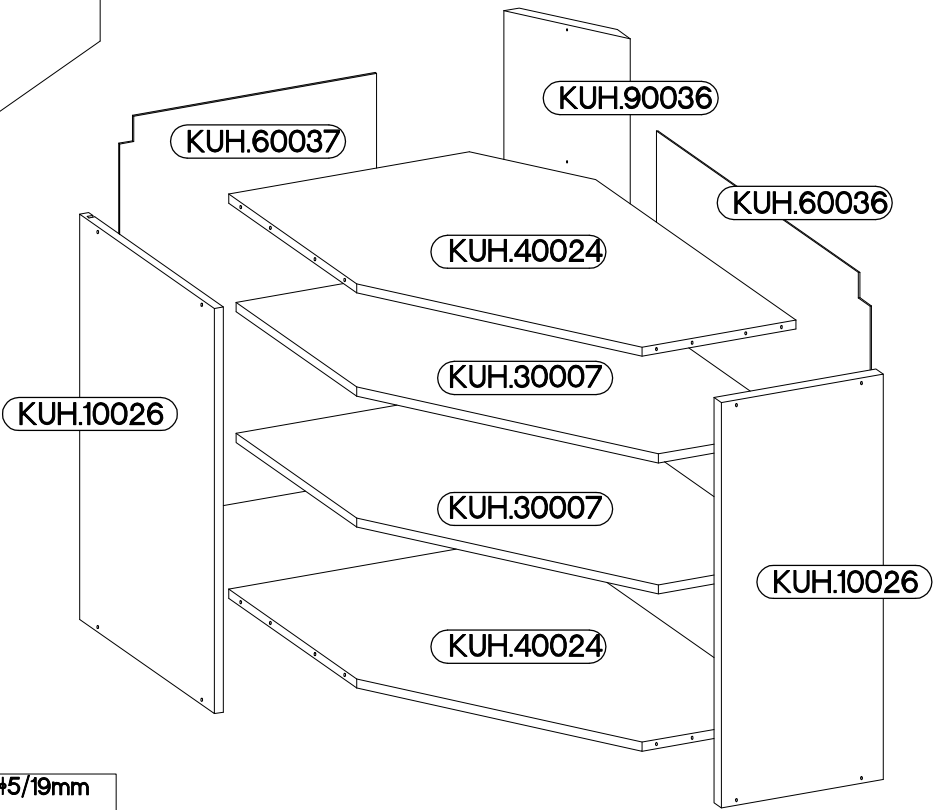




58x58 GN-72 1F



max. 5kg  
 KUH.30007  
 KUH.40024

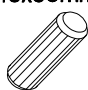
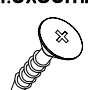
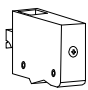


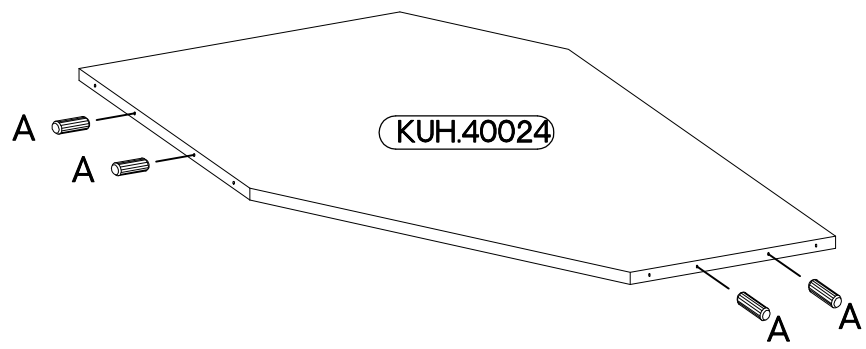
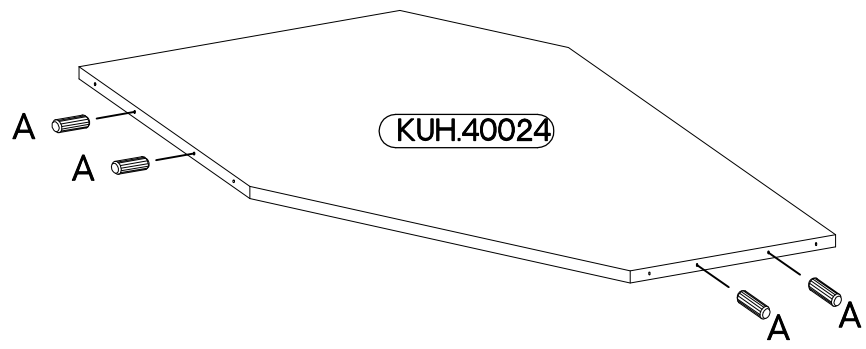
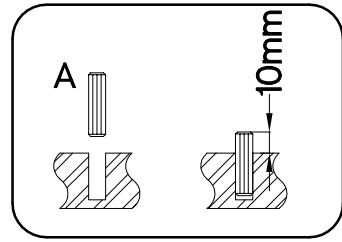
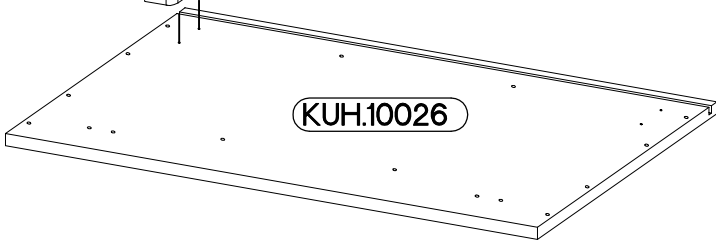
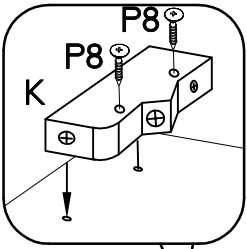
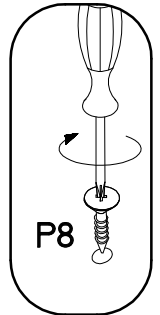
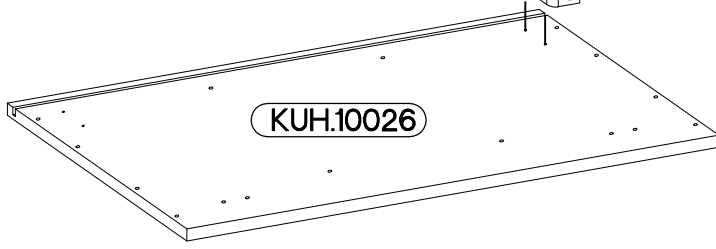
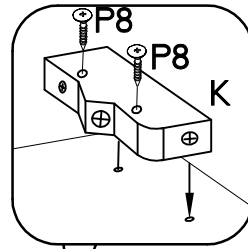
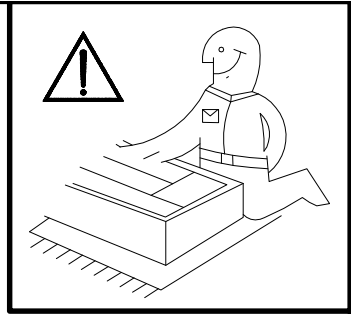
 +8x30mm A 8	 6,4 x 50mm B 10	 E1 8	 +35/45° H=0 [CD] HG7 2	 +5/19mm J 10
 K 2	 O 1	 +3.5x13mm P5 4	 +3.0x20mm P7 15-20	 +4.0x30mm P8 4

ISM-KUH-01620



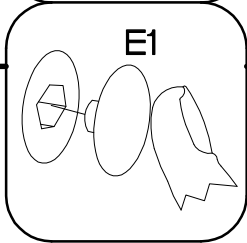
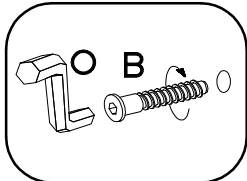
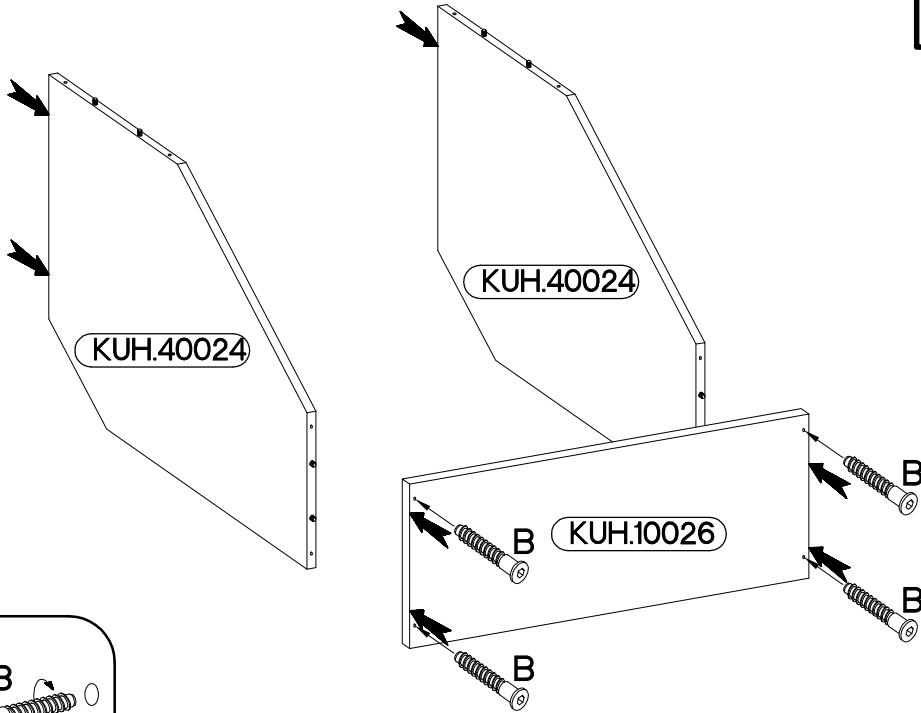
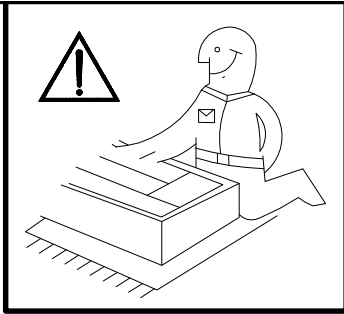
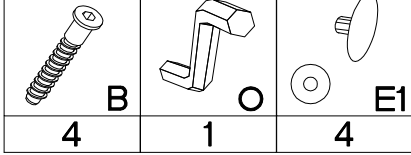
# 1

 +8x30mm A	 +4.0x30mm P8	 K
8	4	2

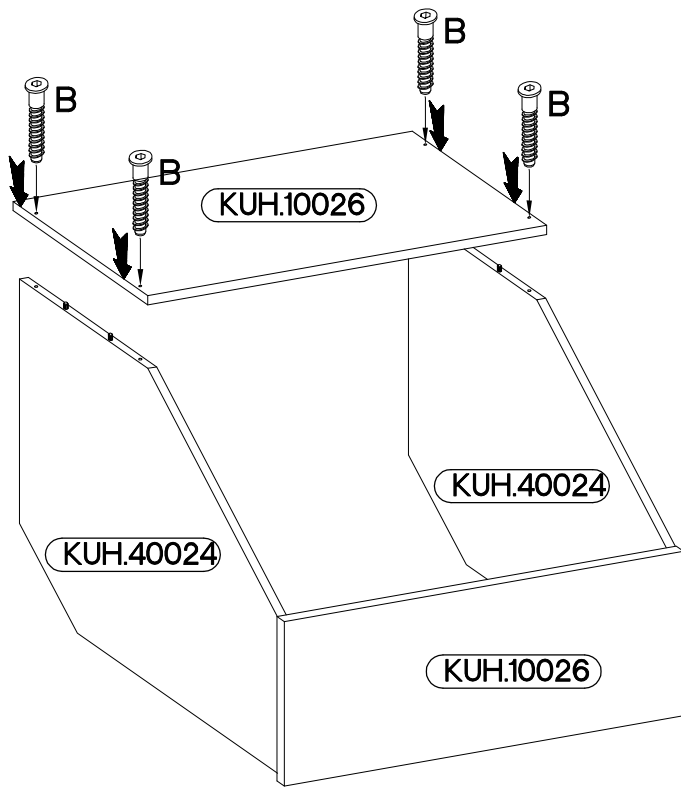


2

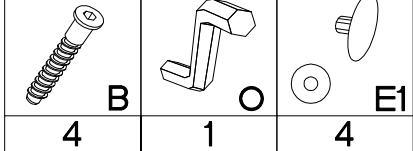
6,4 x 50mm



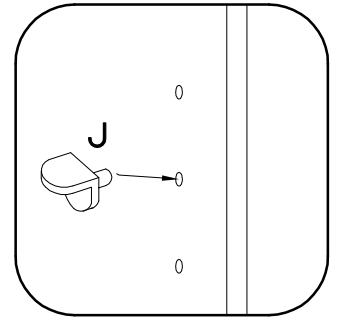
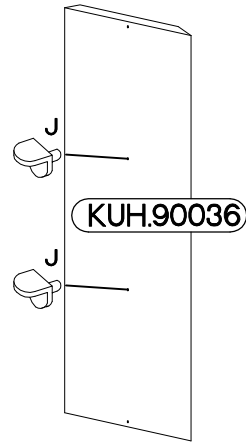
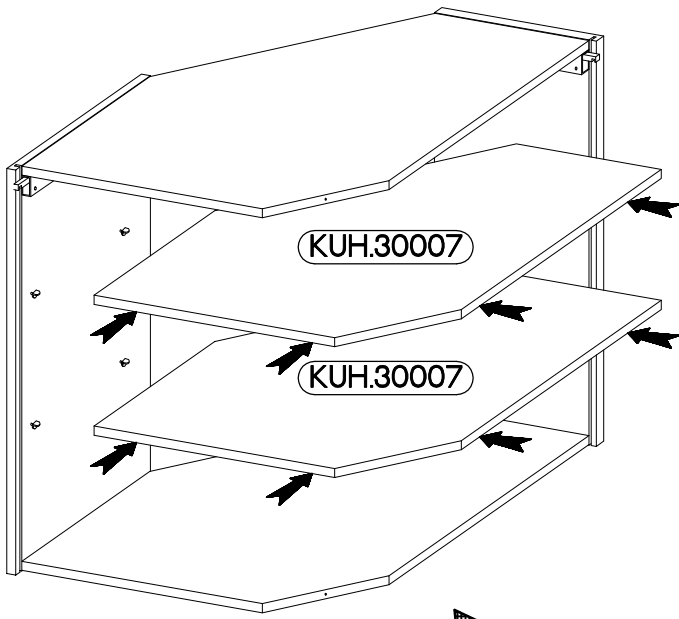
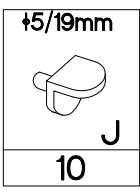
3



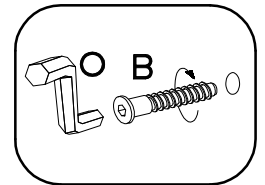
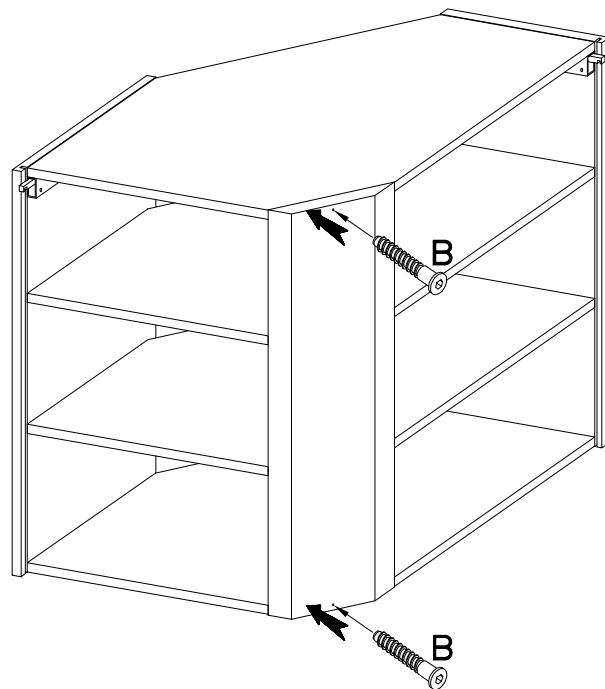
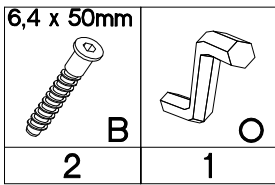
6,4 x 50mm



4



5



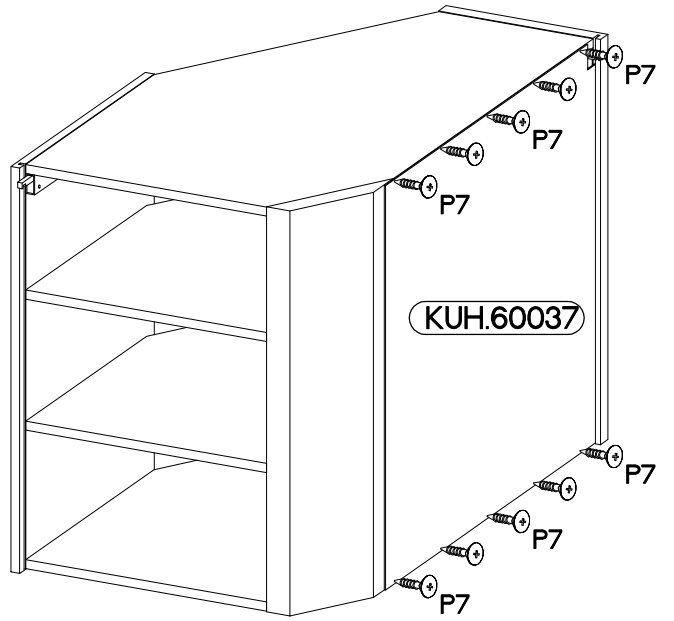
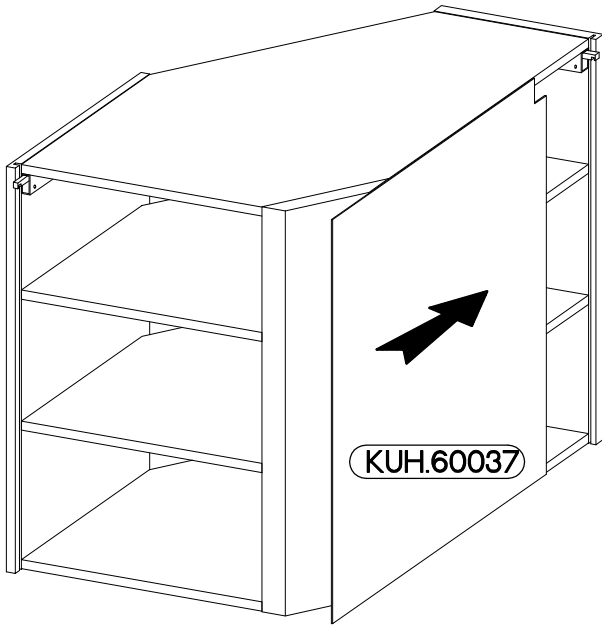
6

±3.0x20mm



P7

10-15



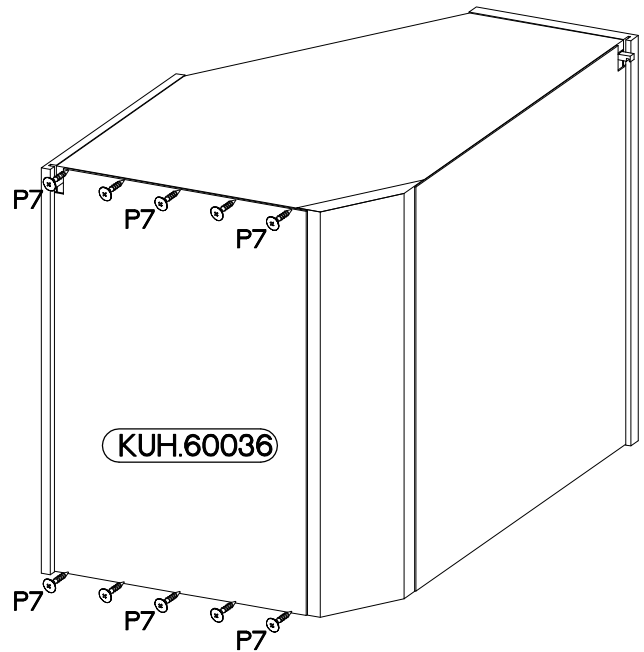
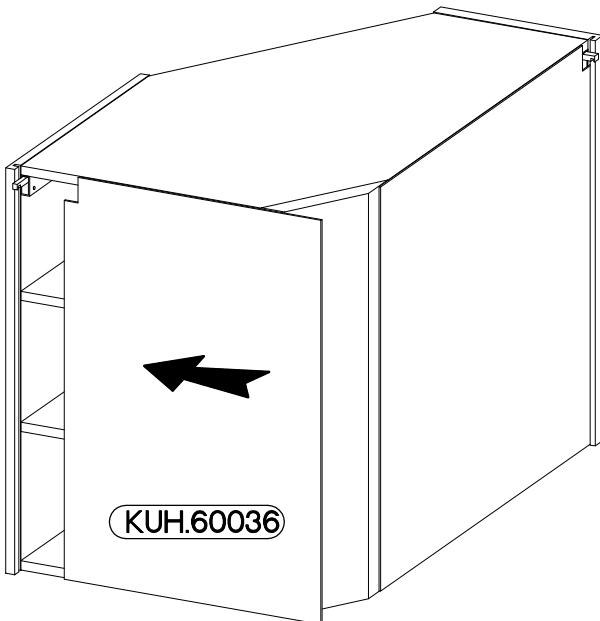
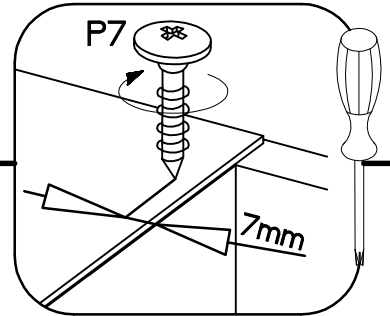
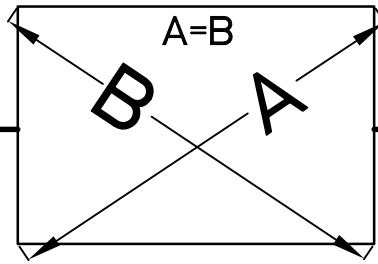
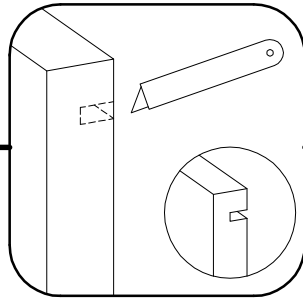
7

±3.0x20mm

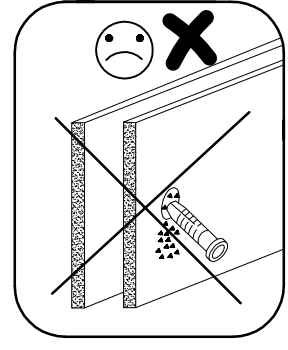
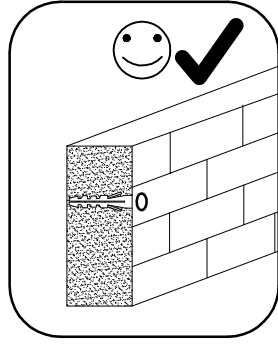
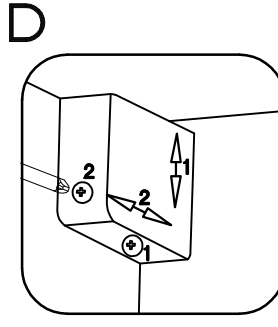
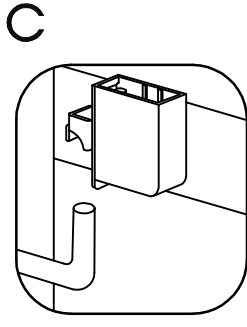
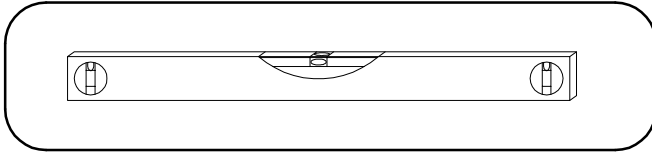
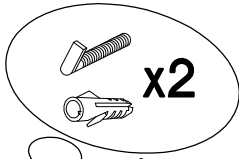
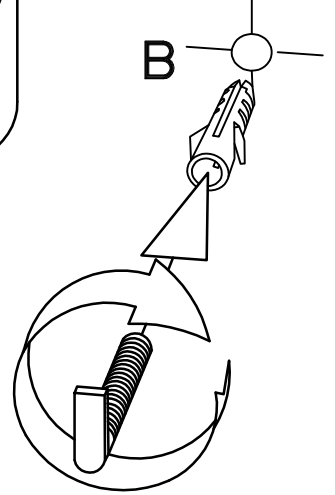
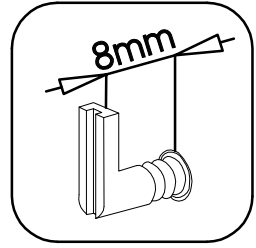
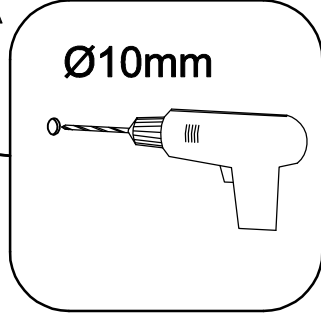
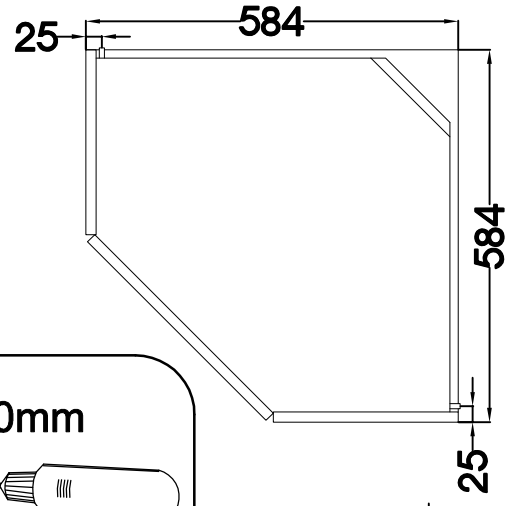
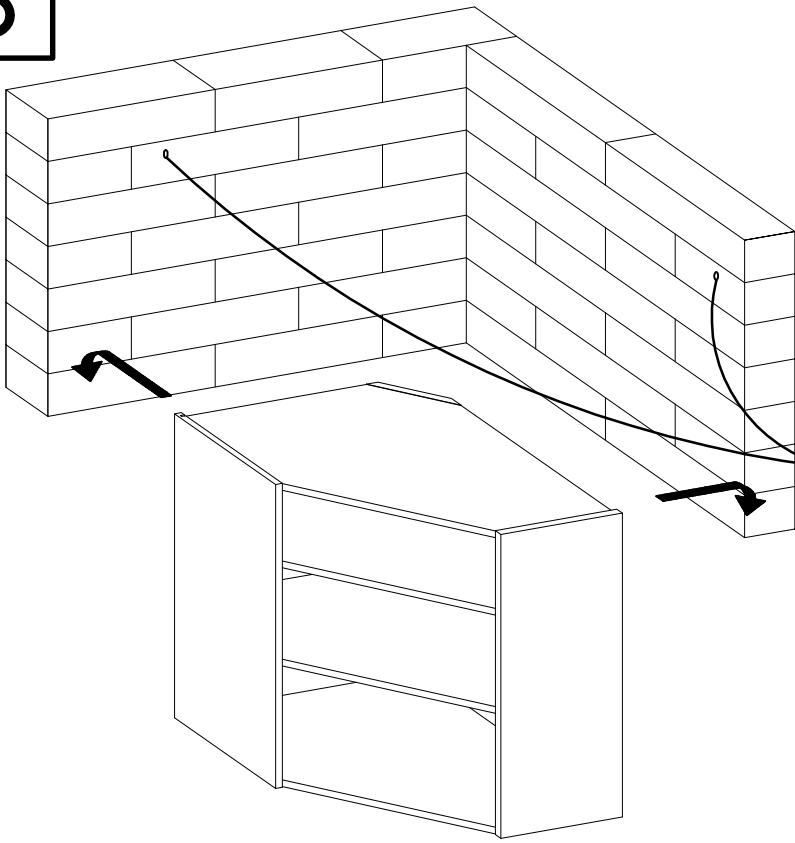


P7

10-15



8



9

FRONT

