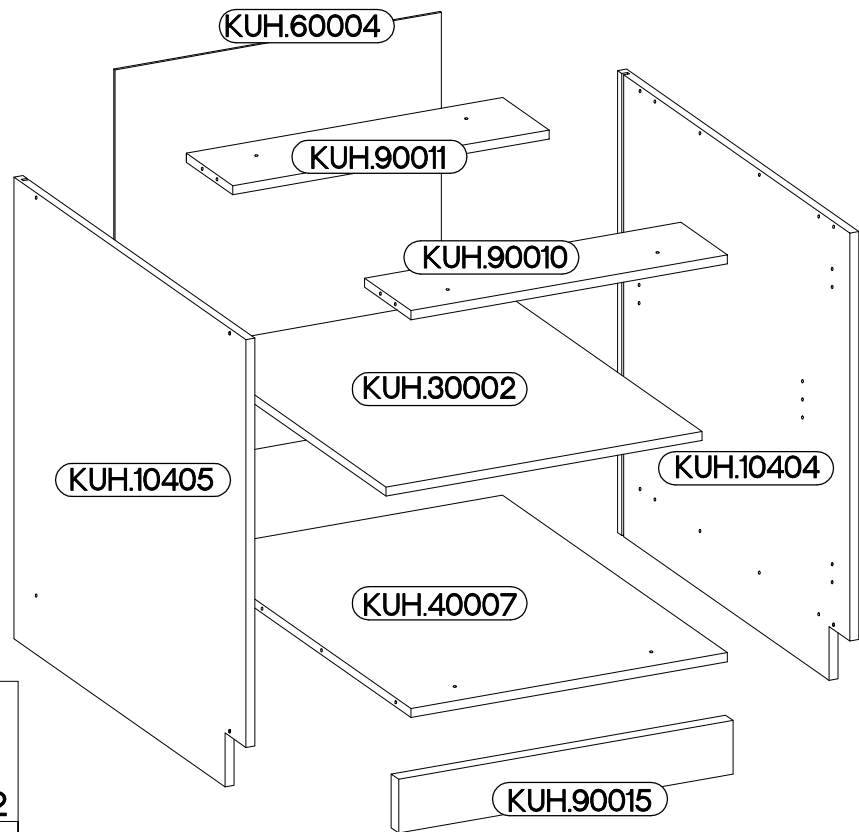
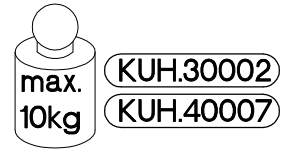
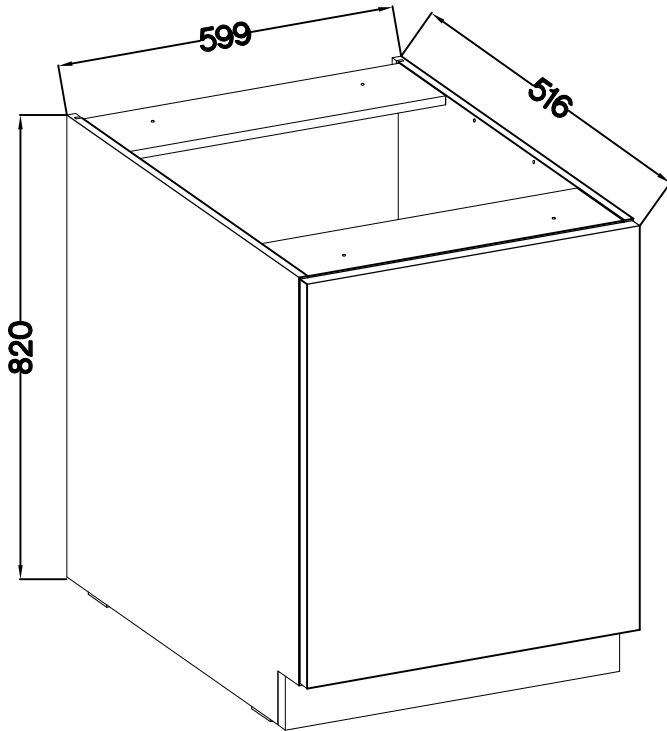
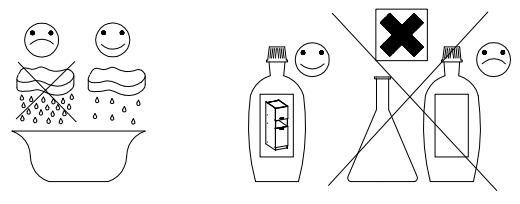


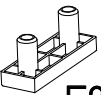
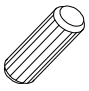
60 D 1F BB

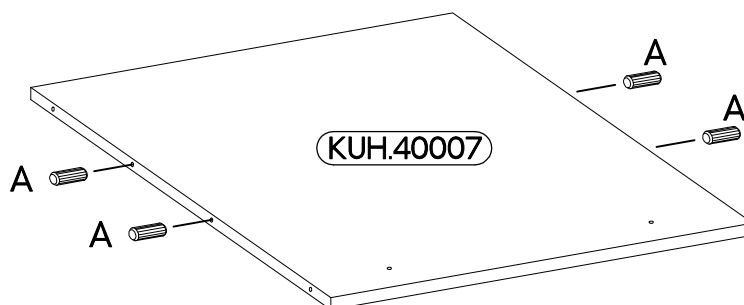
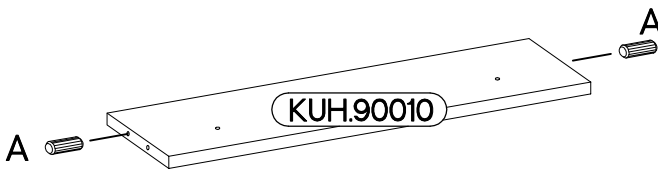
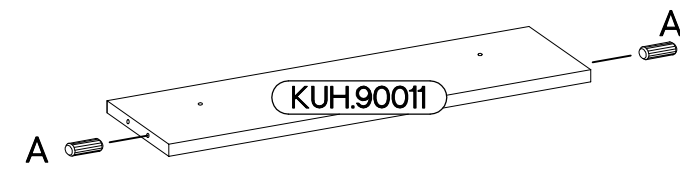
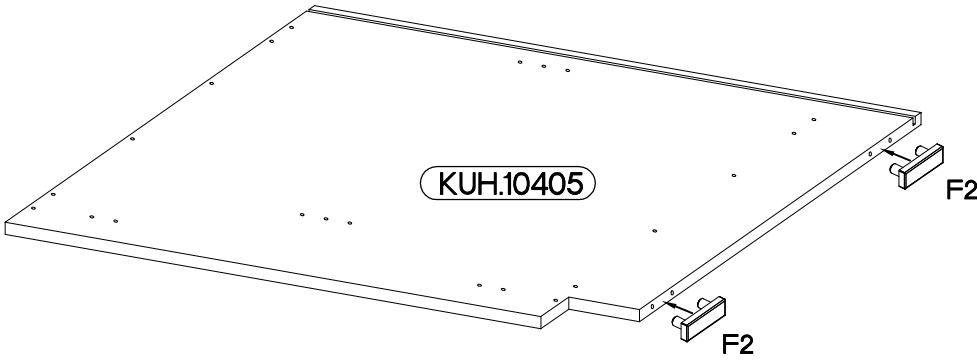
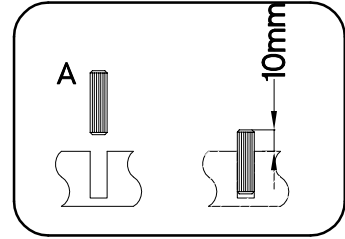
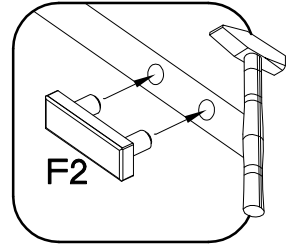
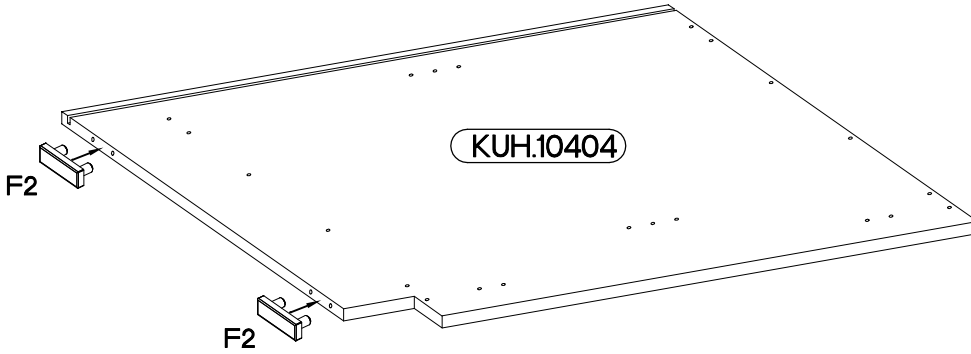
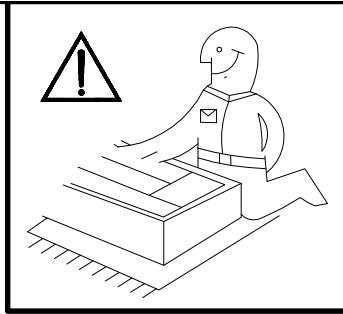


†8x30mm A 8	6,4 x 50mm B 8	 E1 8	 E9 2	6.5x48x16 F2 4		
†35/0mm [CD] HG 2	†5/19mm J 4	 O 1	†4.0x45mm P4 2	†3.5x13mm P5 4	†3.0x20mm P7 8-10	†4.0x35mm R3 4

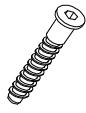
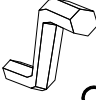
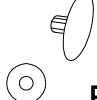
ISM-KUH-01621

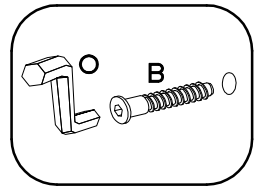
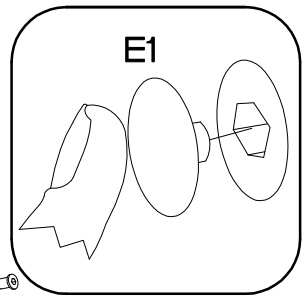
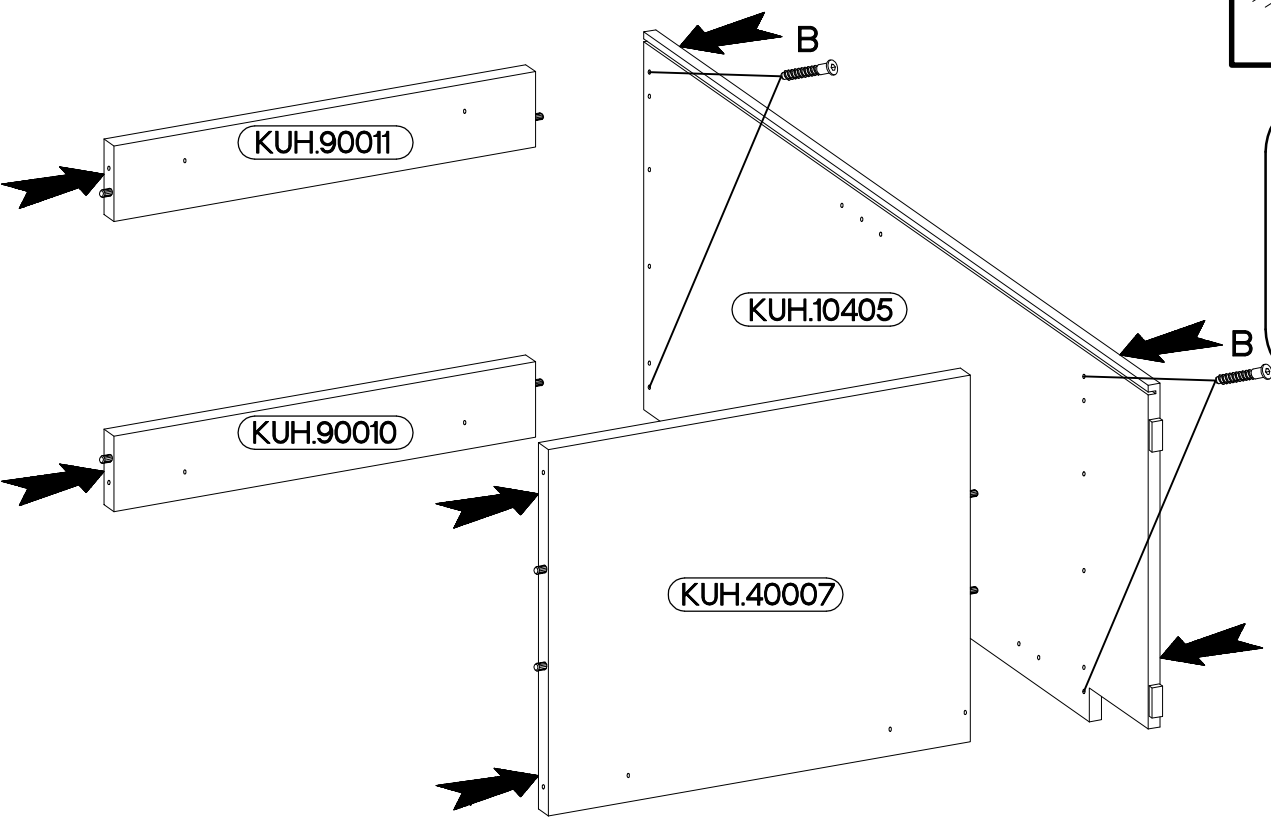
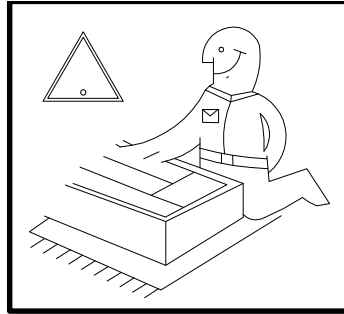
1

6.5x48x16  F2 4	±8x30mm  A 8
--	---


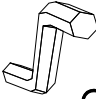
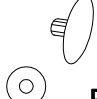


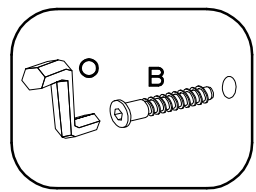
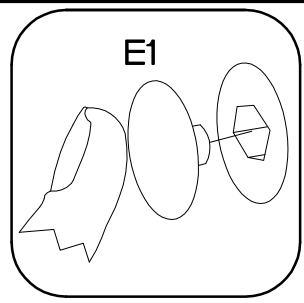
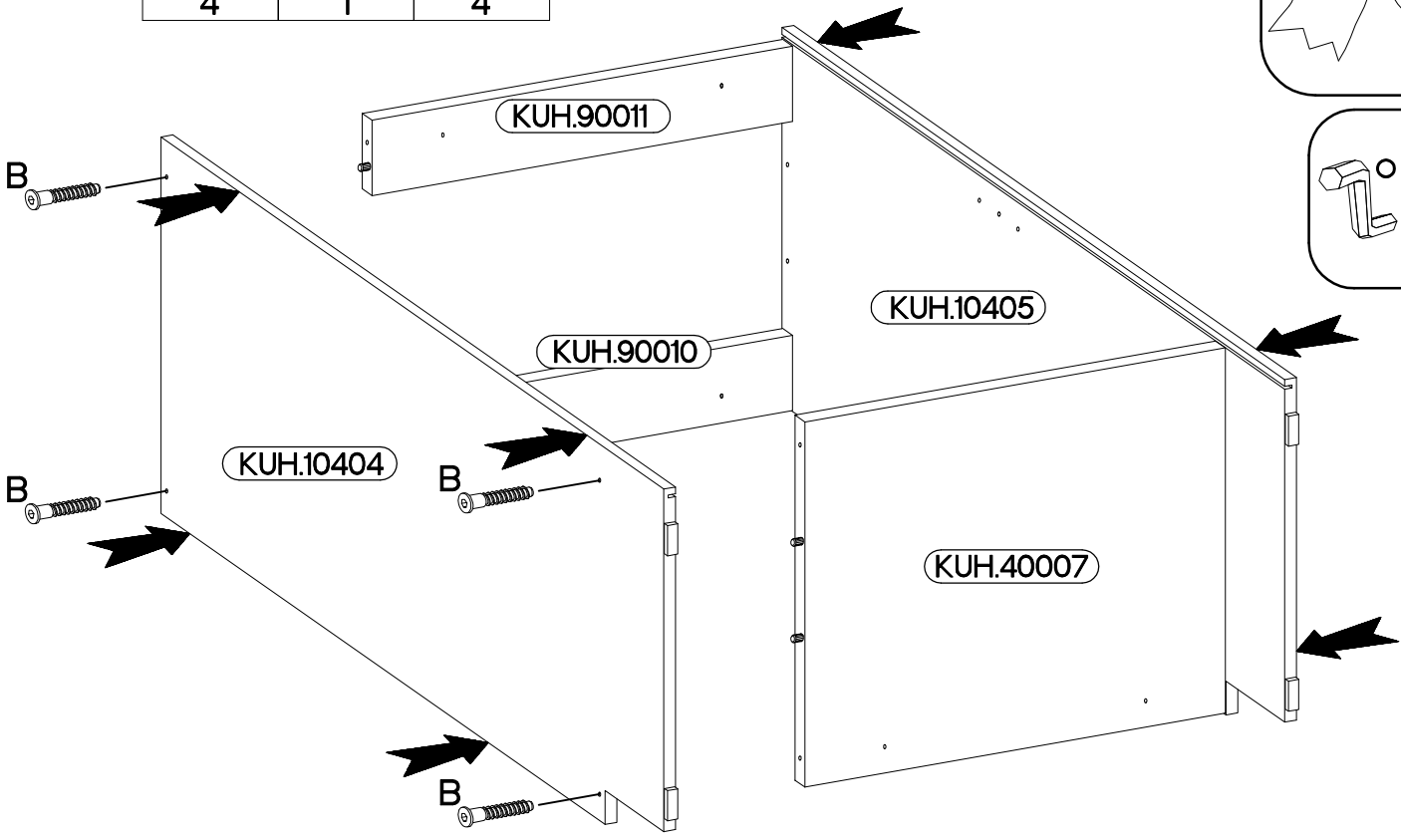
2

6,4 x 50mm		
		
B	O	E1
4	1	4

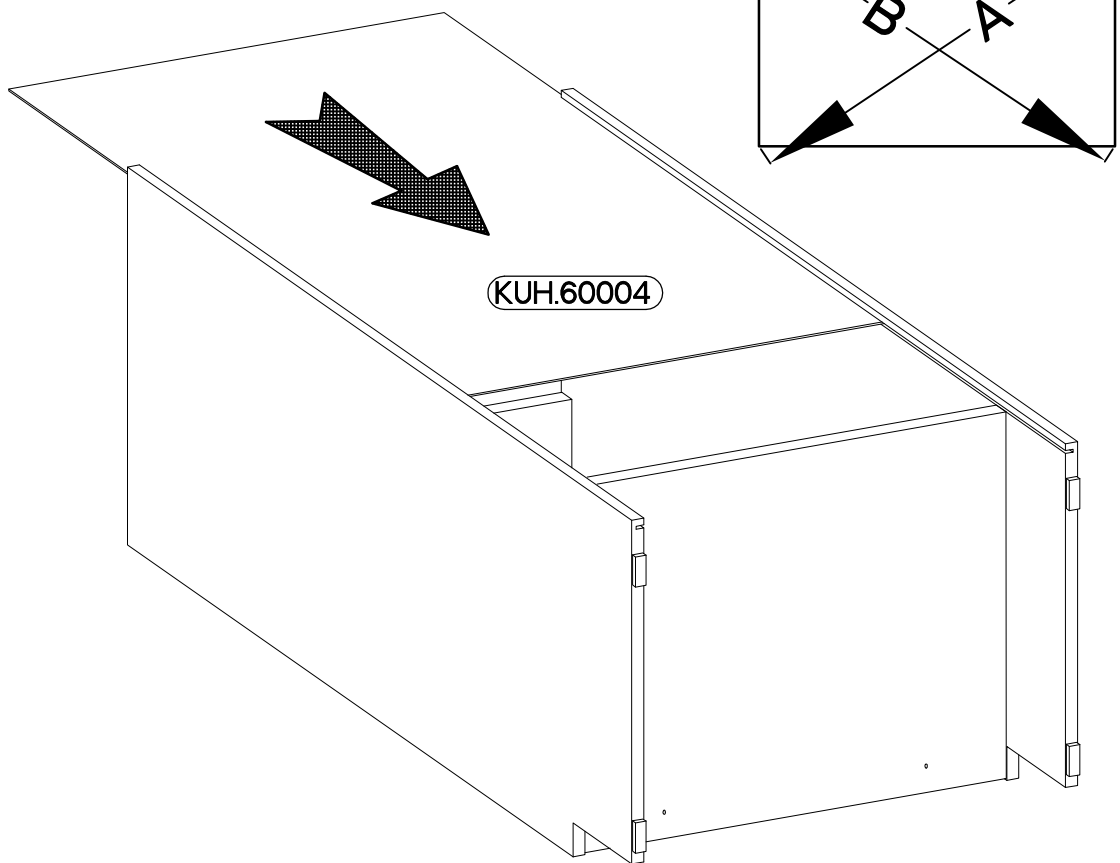


3

6,4 x 50mm		
		
B	O	E1
4	1	4

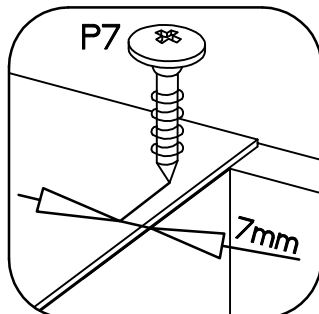
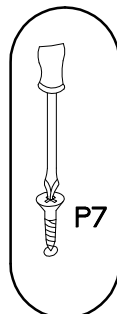
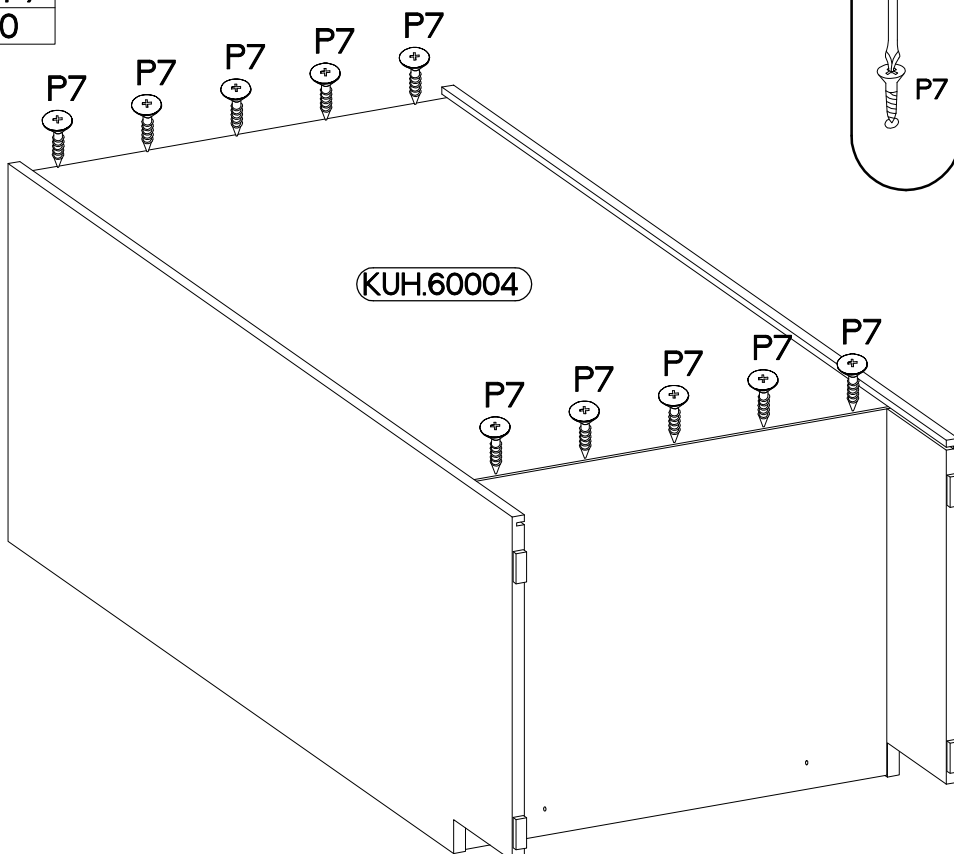


4





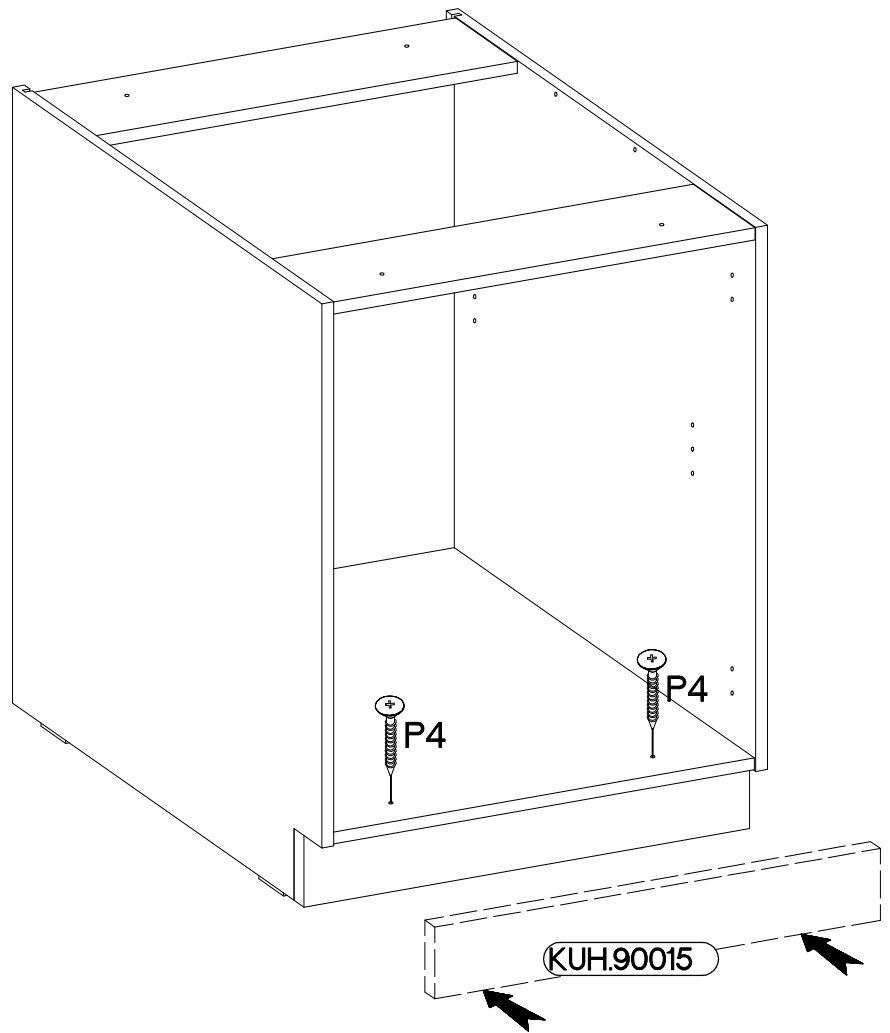
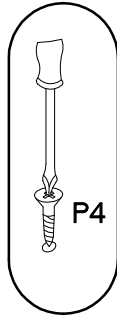
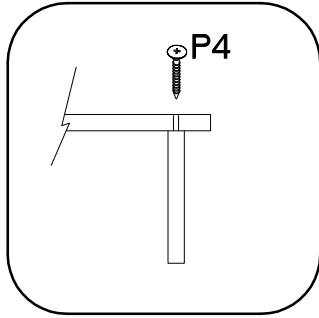
5

3.0x20mm
P7
8-10




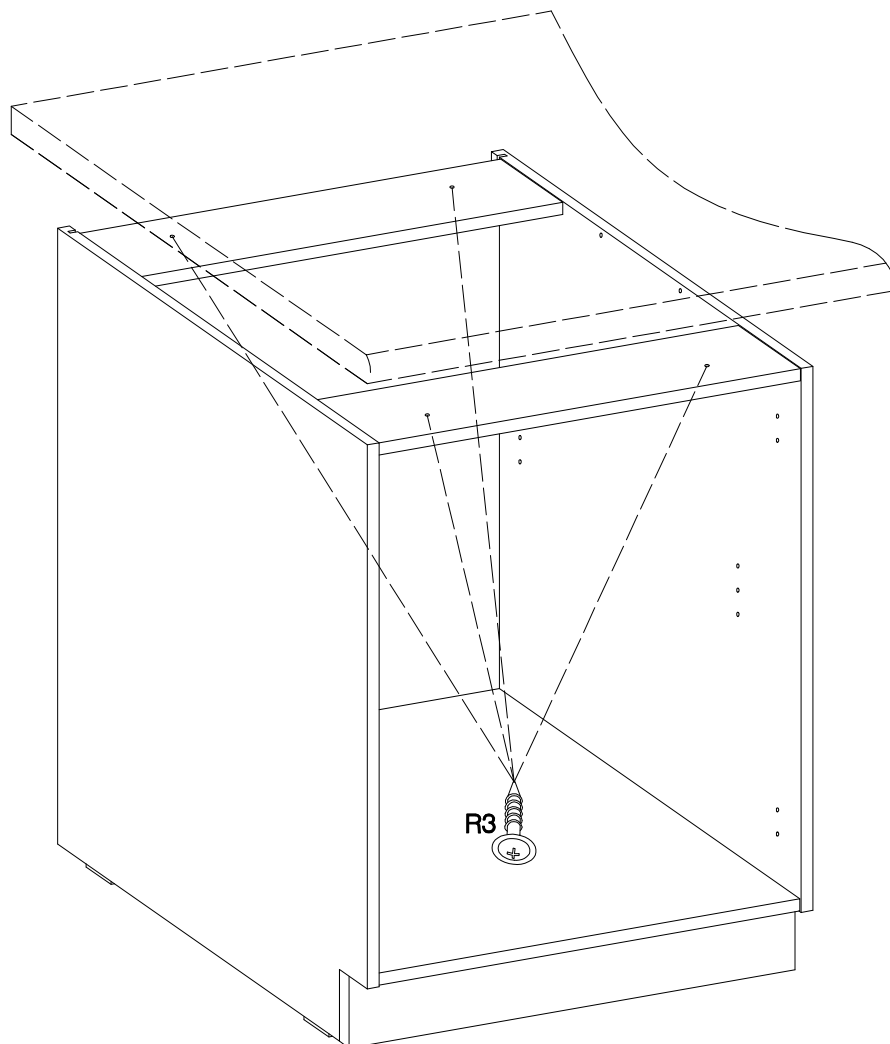
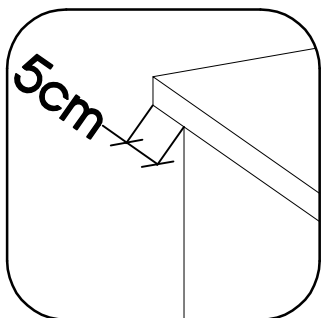
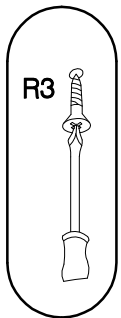
6

+4.0x45mm	
	
P4	E9
2	2



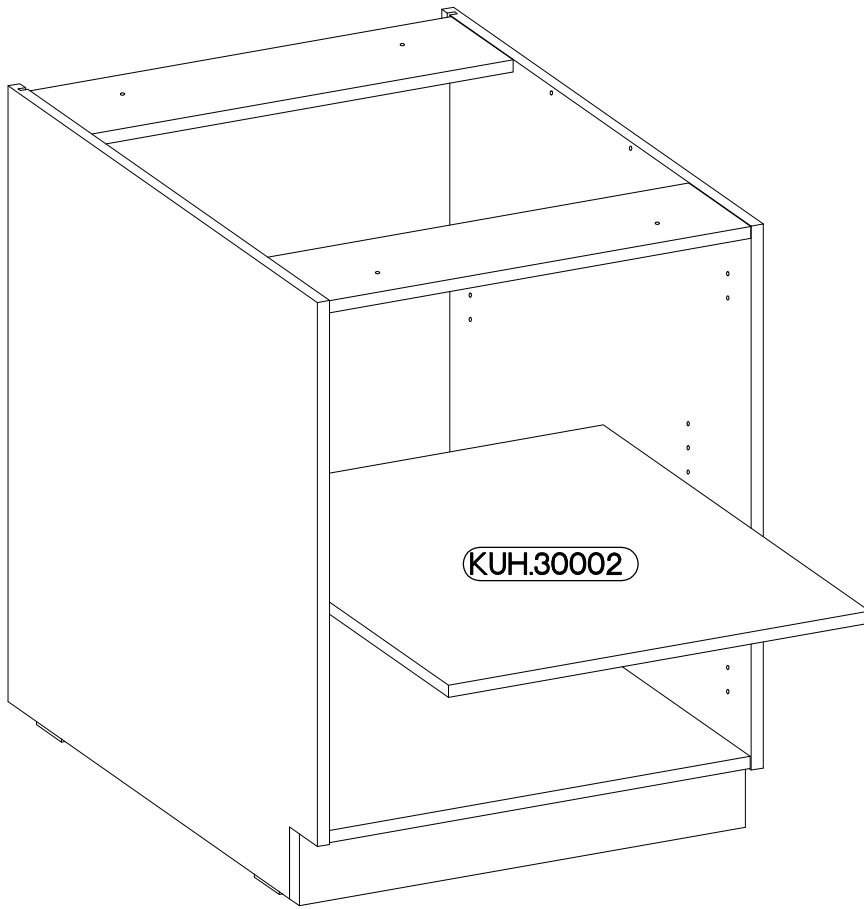
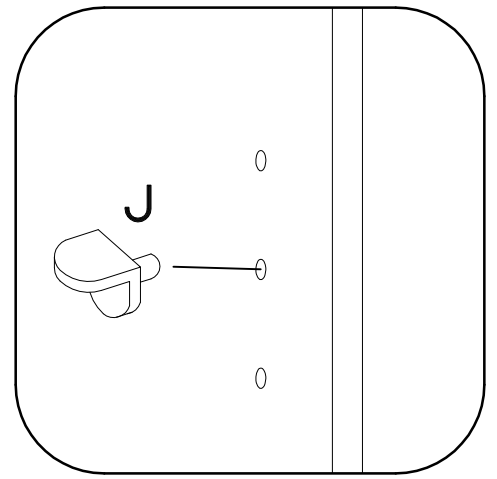
7

+4.0x35mm	
	
R3	
4	



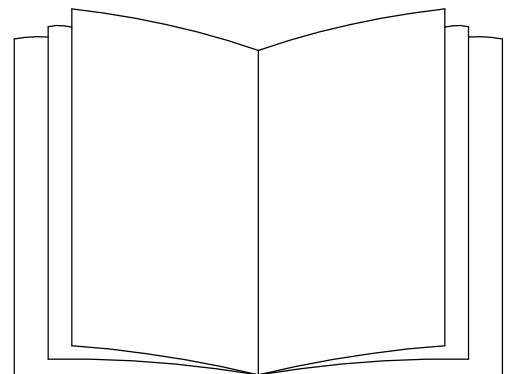
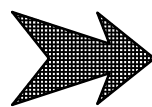
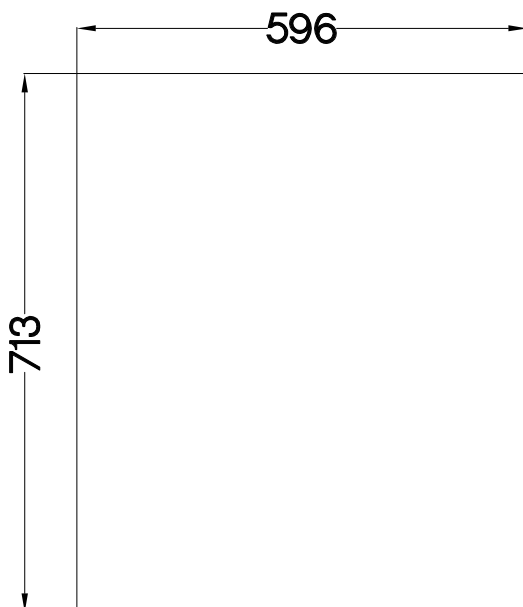
8

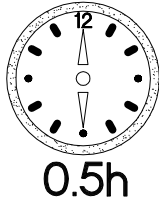
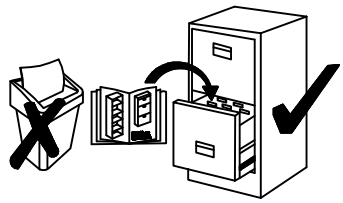
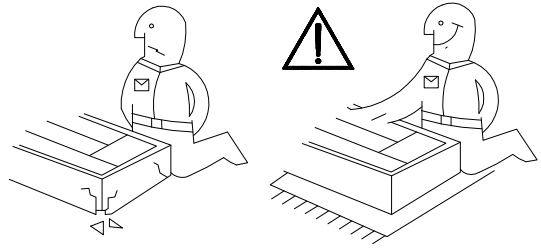
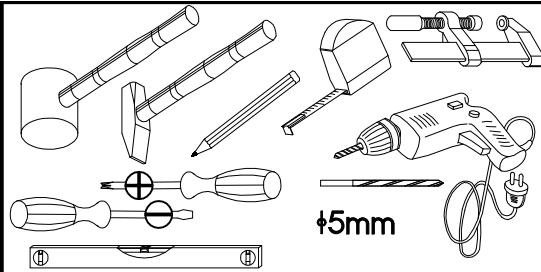
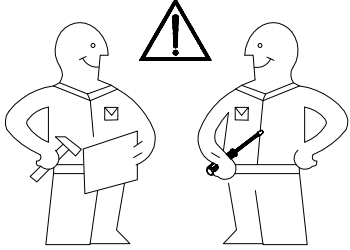
±5/19mm
J
4



9

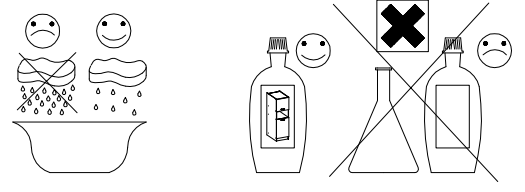
FRONT



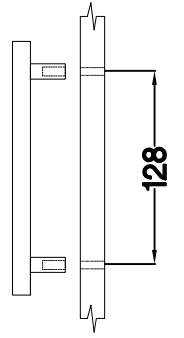
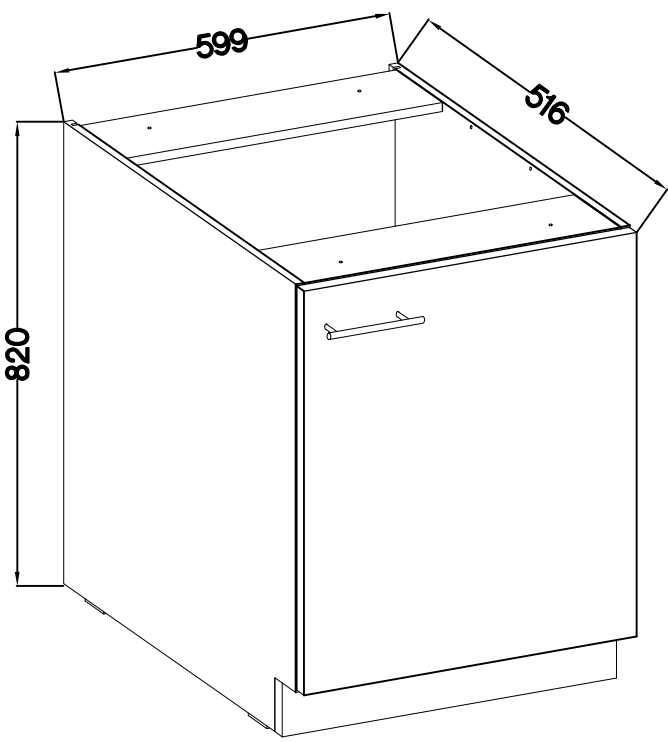


0.5h

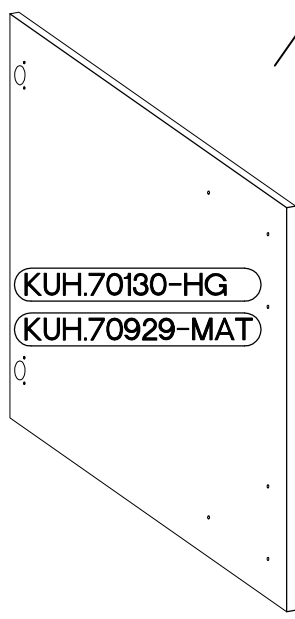
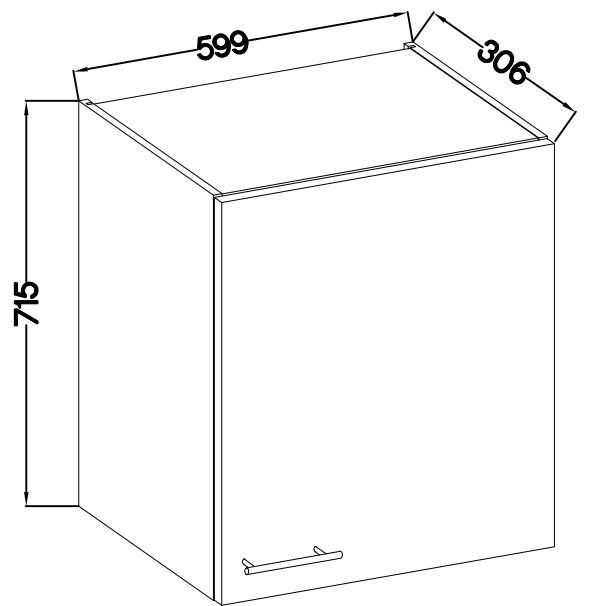
60 D 1F BB
60 G-72 1F
FRONT


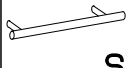


60 D 1F BB



60 G-72 1F



M4x22mm	L=128mm
	
U	S
2	1

ISM-KUH-01645

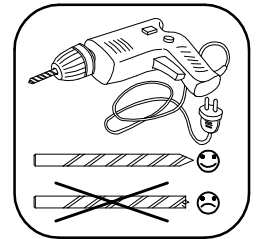
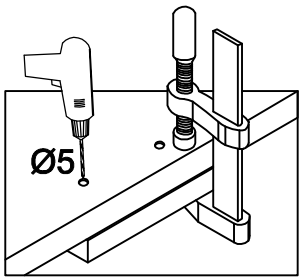
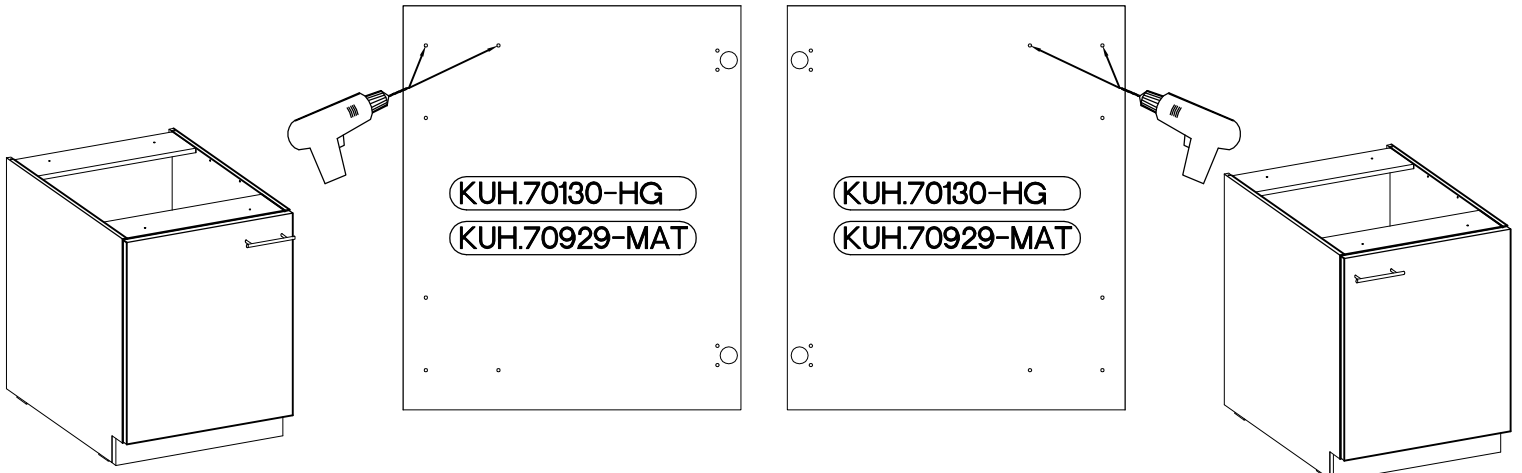
1 60 D 1F BB



LEFT

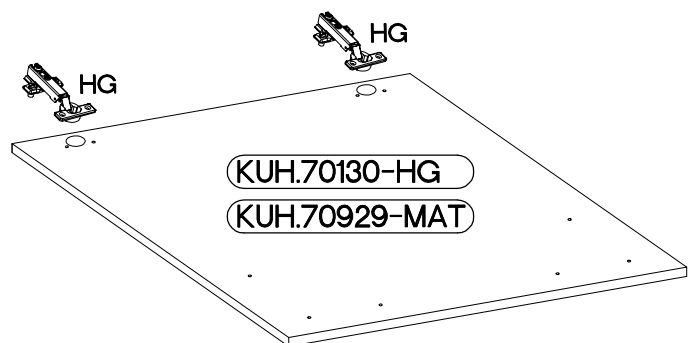
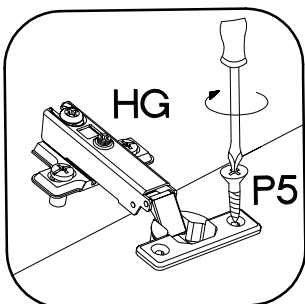


RIGHT


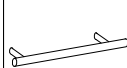


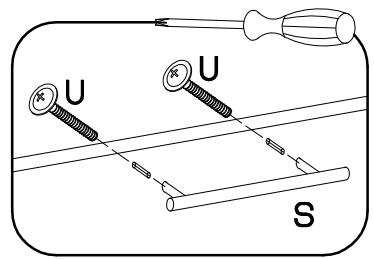
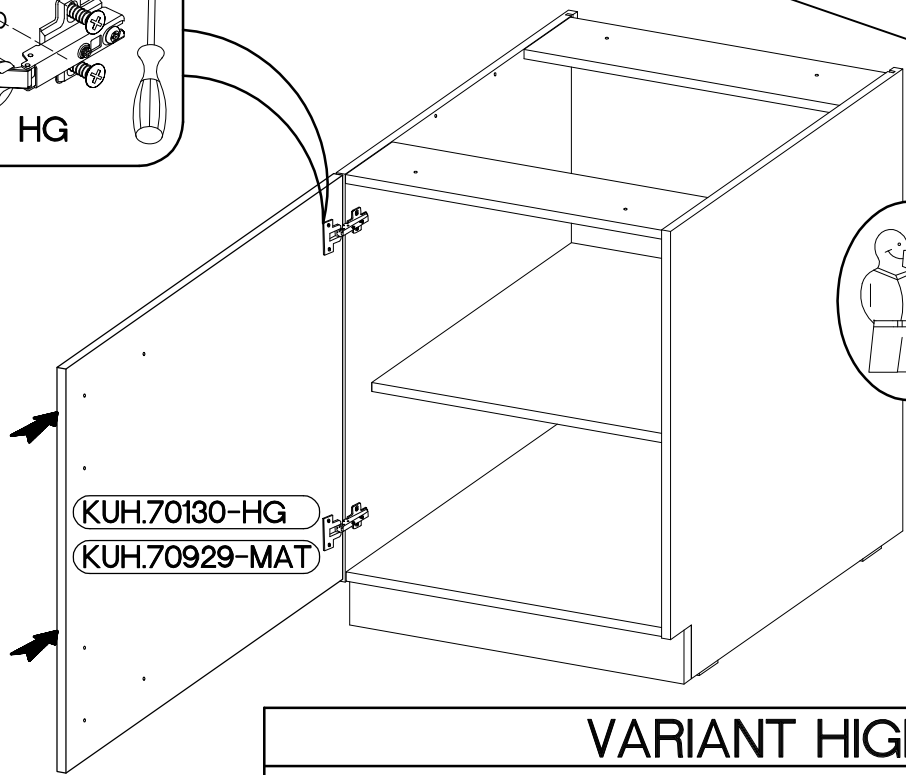
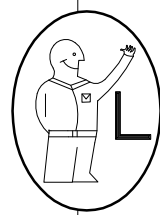
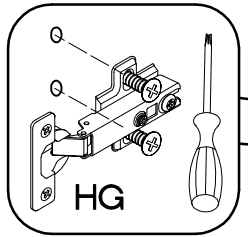
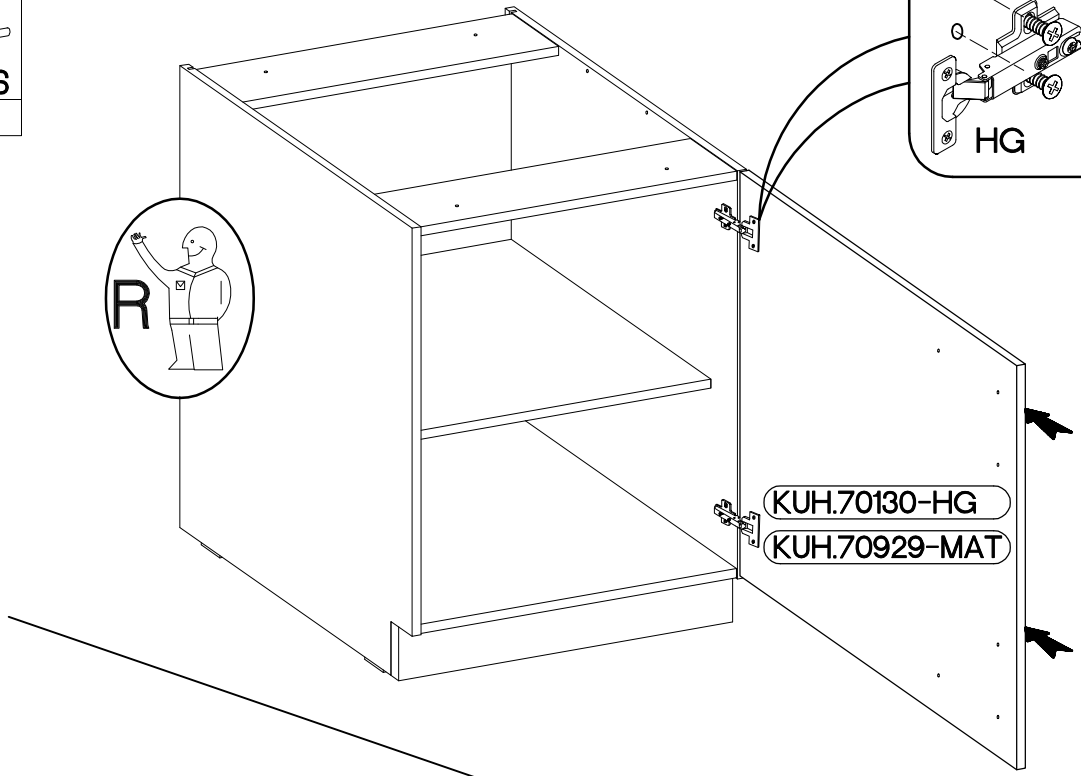
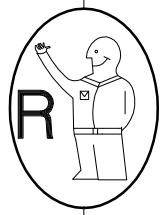
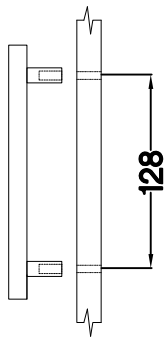
2

±35/0mm [CD] HG 2	±3.5x13mm P5 4
-------------------------	----------------------

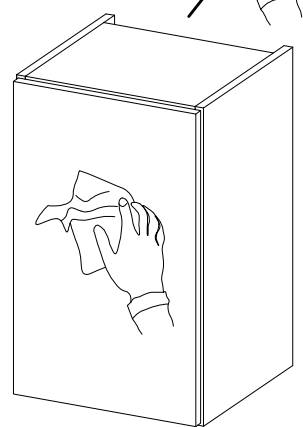
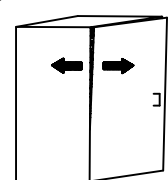
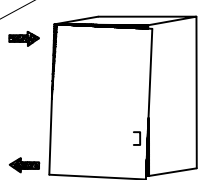
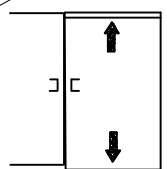
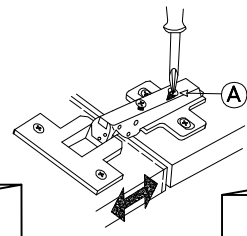
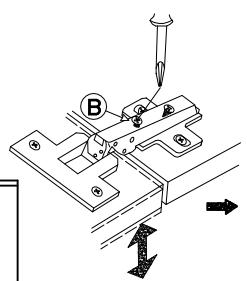
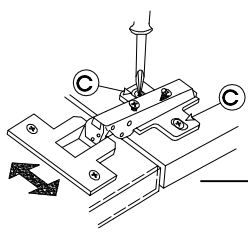
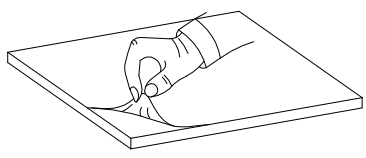
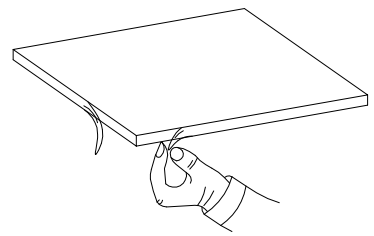


3

M4x22mm	L=128mm
	
U	S
2	1



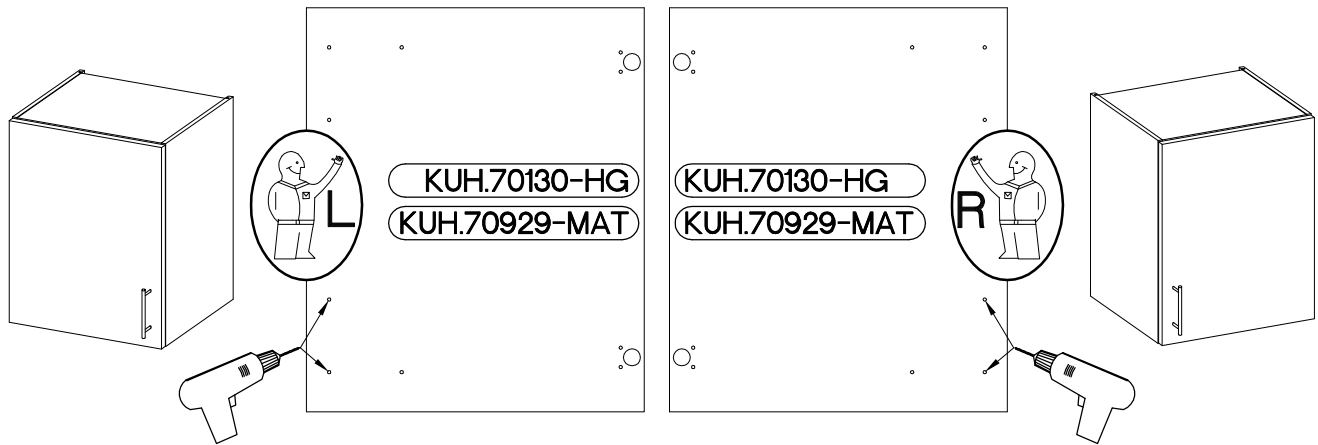
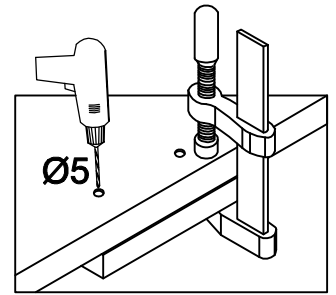
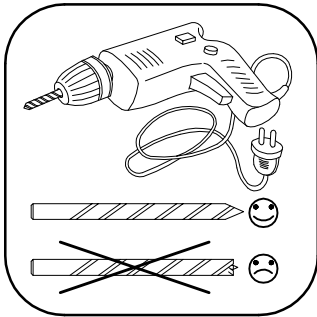
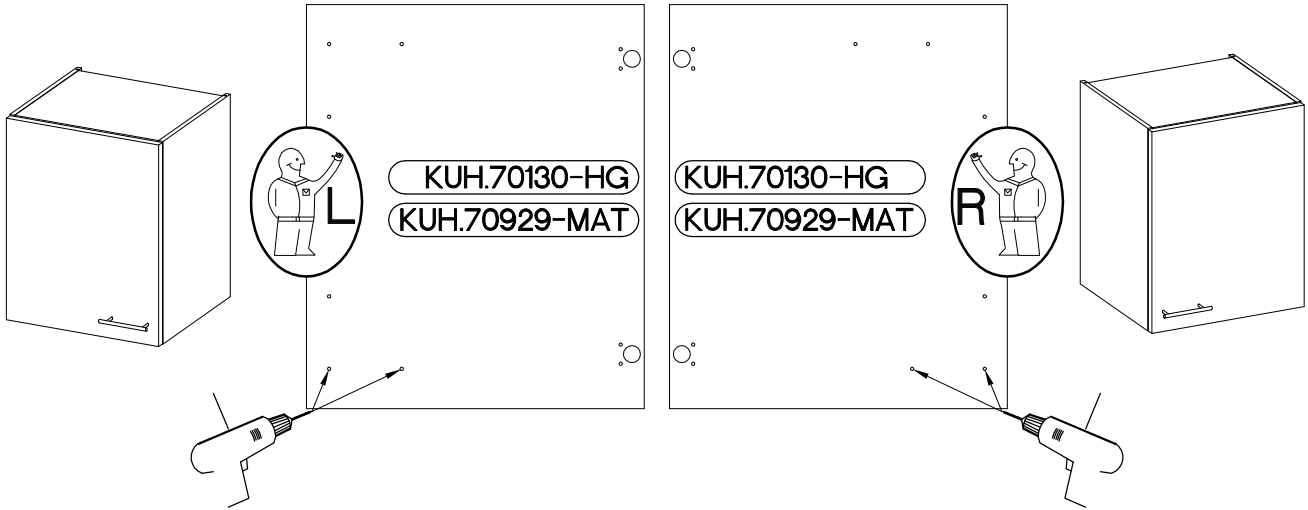
VARIANT HIGH GLOSS



4 60 G-72 1F

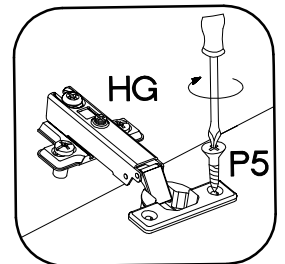
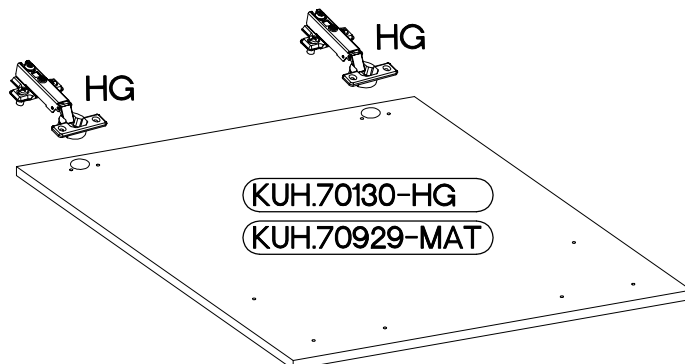
LEFT

RIGHT





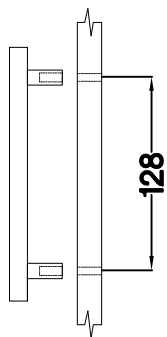
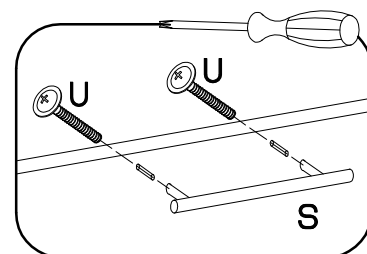
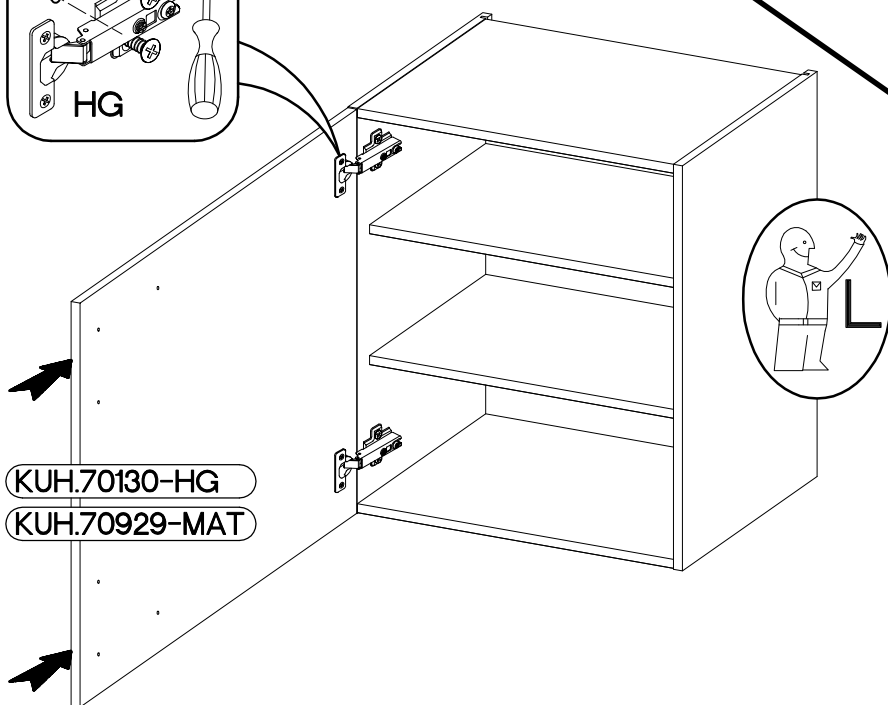
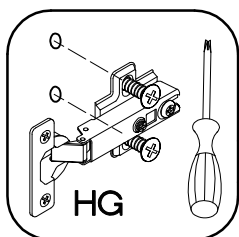
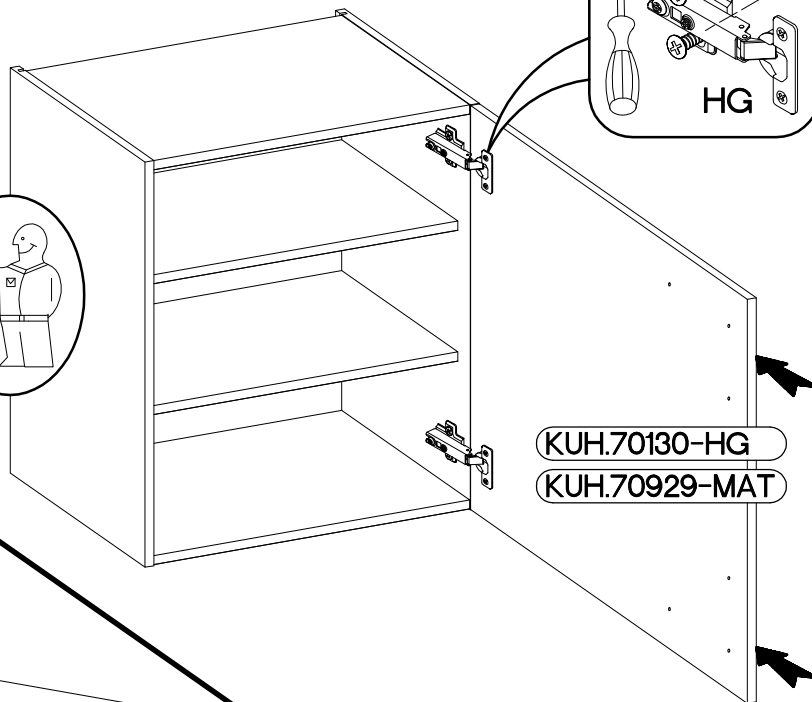
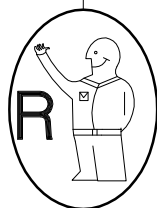
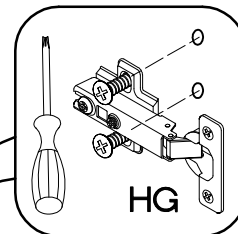
5

+35/0mm [CD] HG 2	+3.5x13mm P5 4
-------------------------	----------------------



6

M4x22mm	L=128mm
	
U	S
2	1



VARIANT HIGH GLOSS

