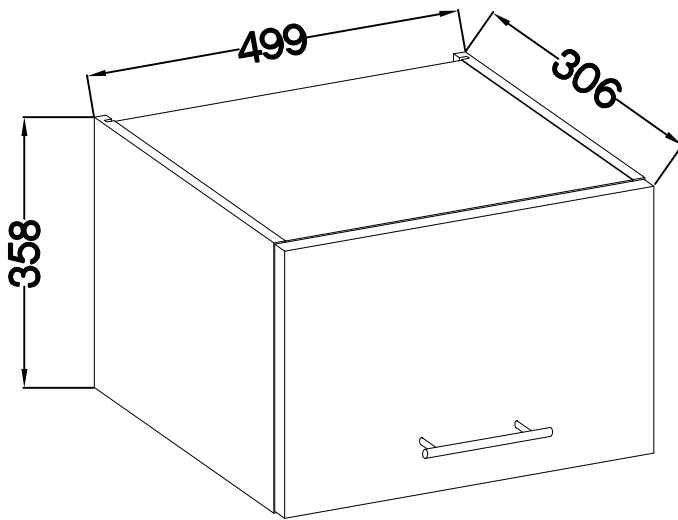
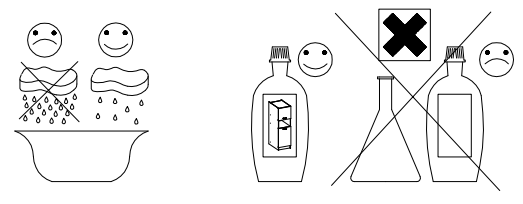


50 GU-36 1F
FRONT

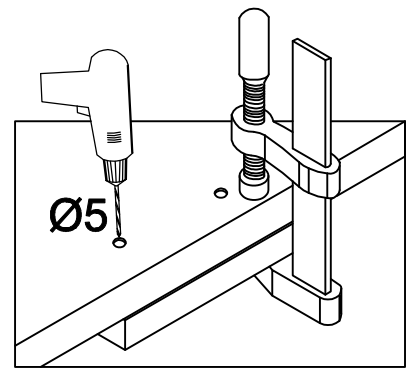
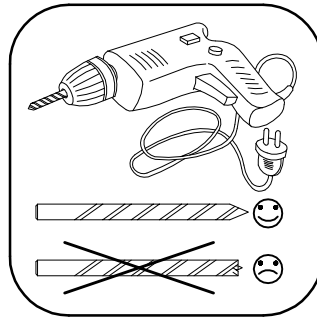
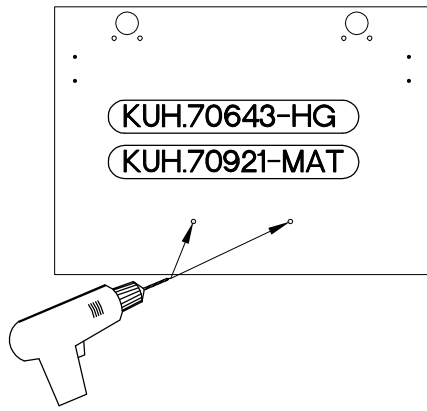


KUH.70643-HG
KUH.70921-MAT



M4x22mm	L=128mm
U	S
2	1

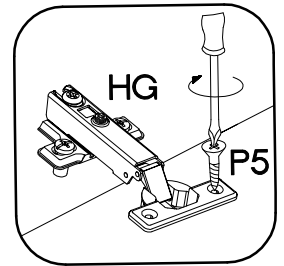
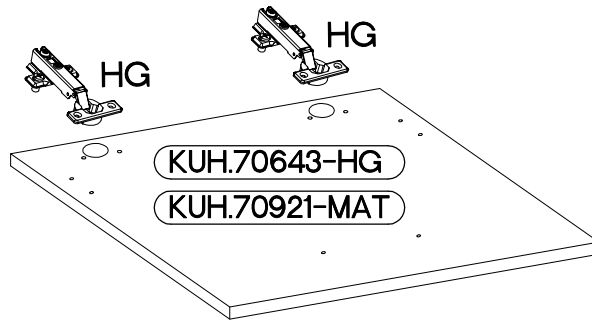
ISM-KUH-01642

1

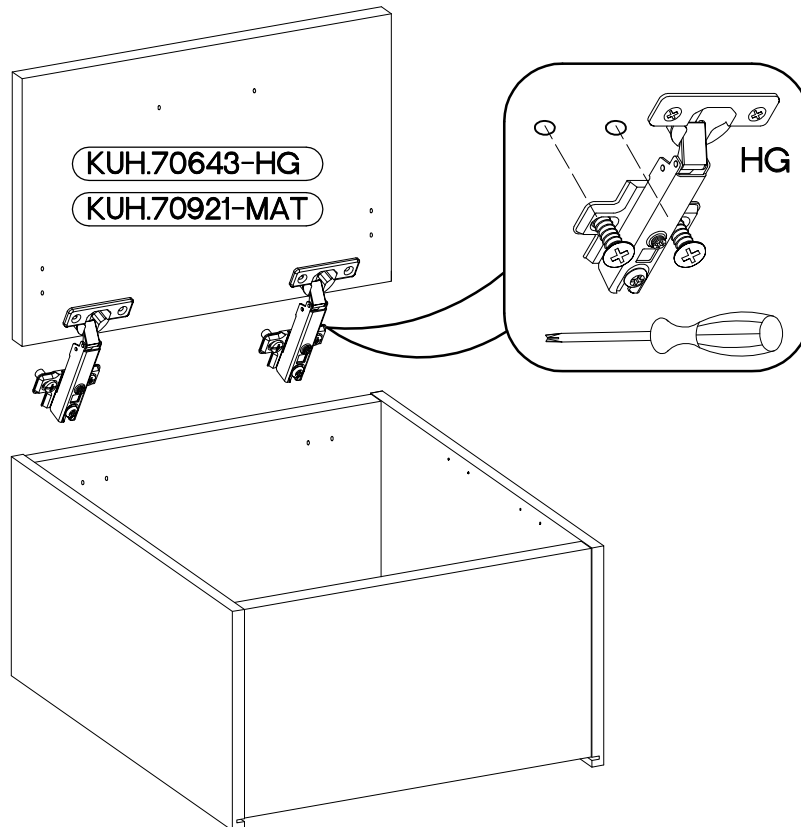


2

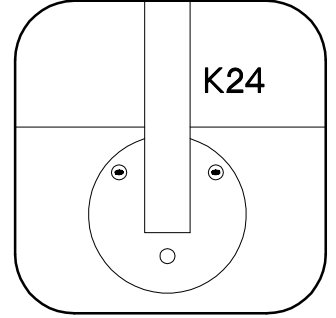
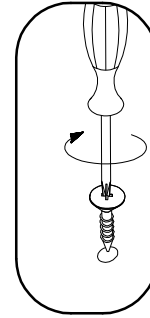
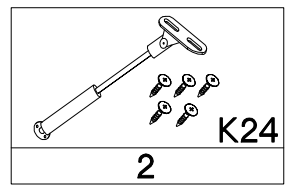
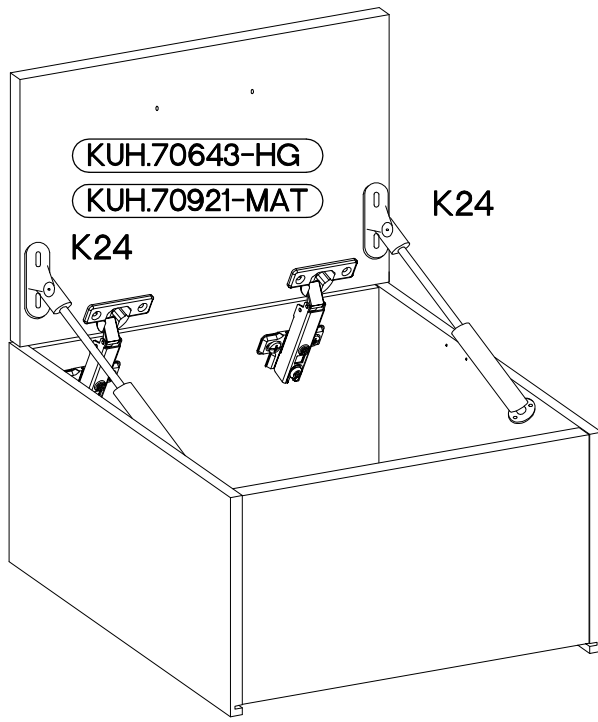
±35/0mm	±3.5x13mm
	
[CD] HG	P5
2	4



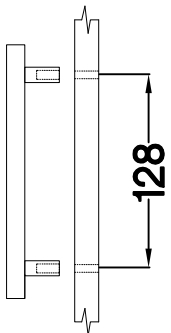
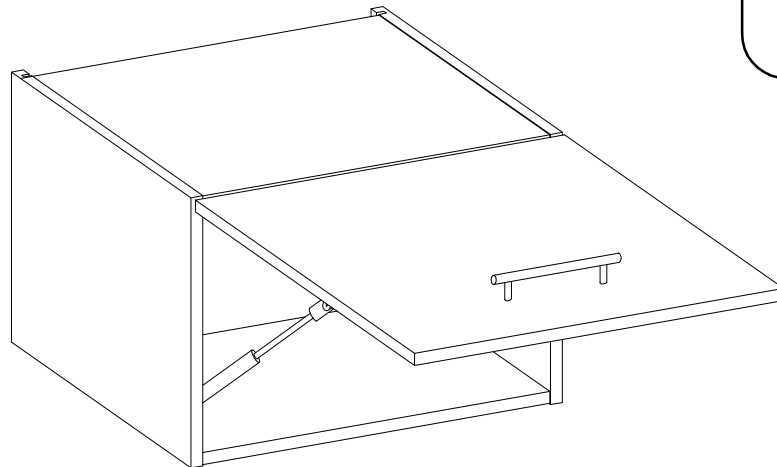
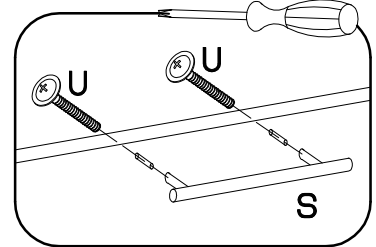
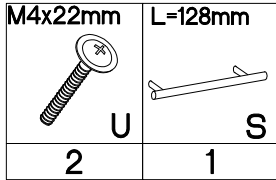
3



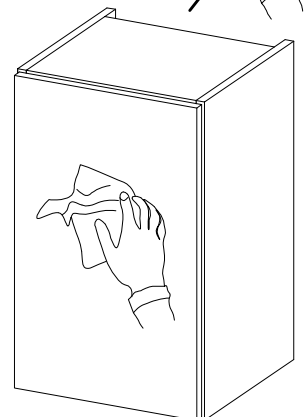
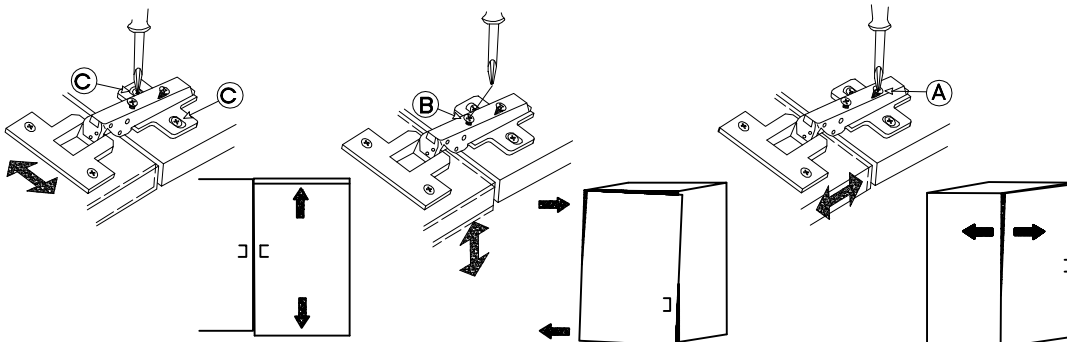
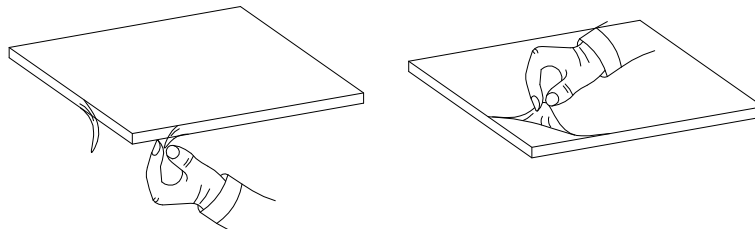
4

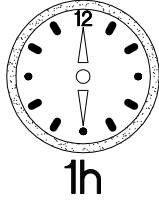
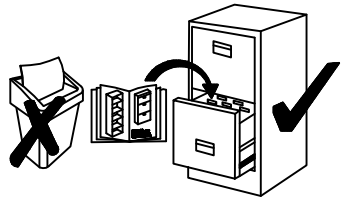
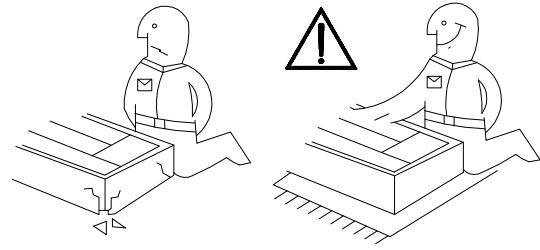
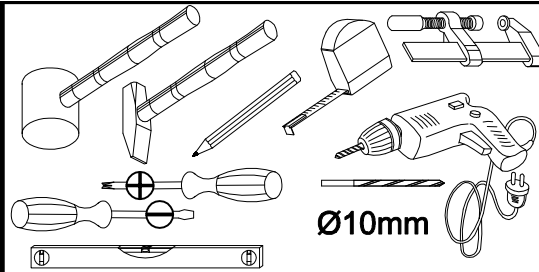
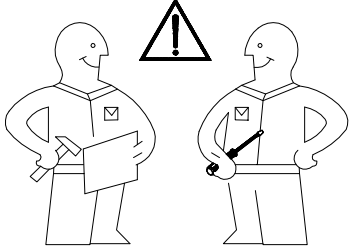


5

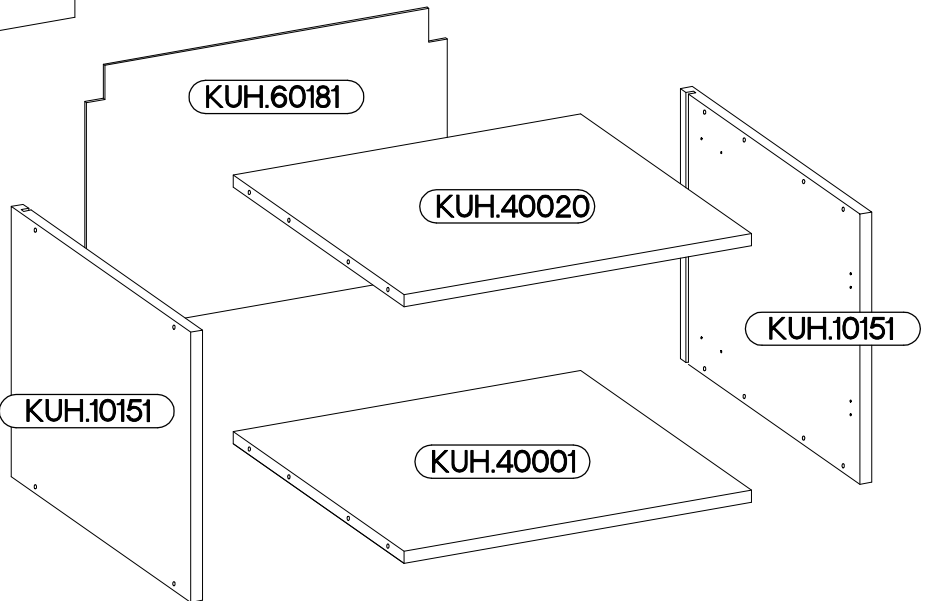
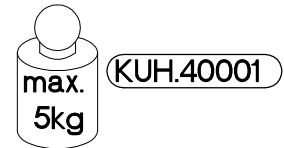
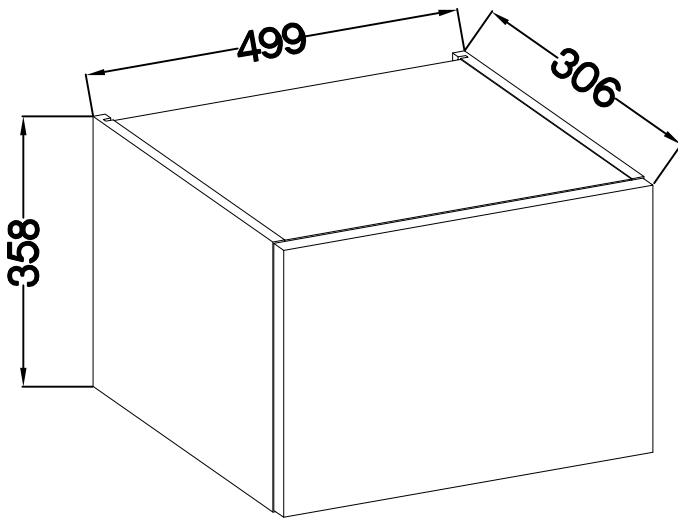
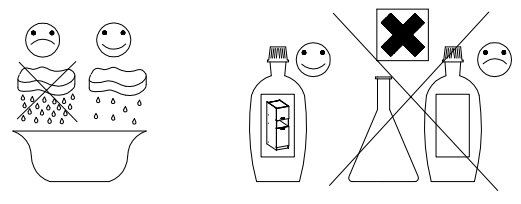


VARIANT HIGH GLOSS

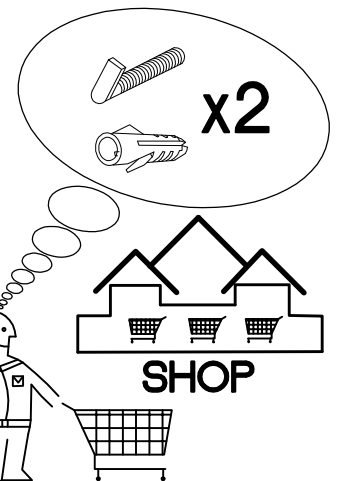




50 GU-36 1F

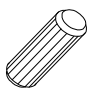
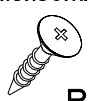
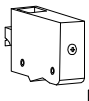


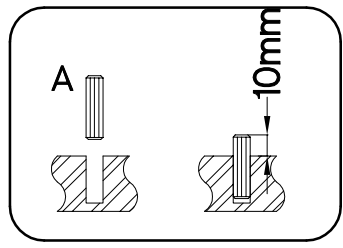
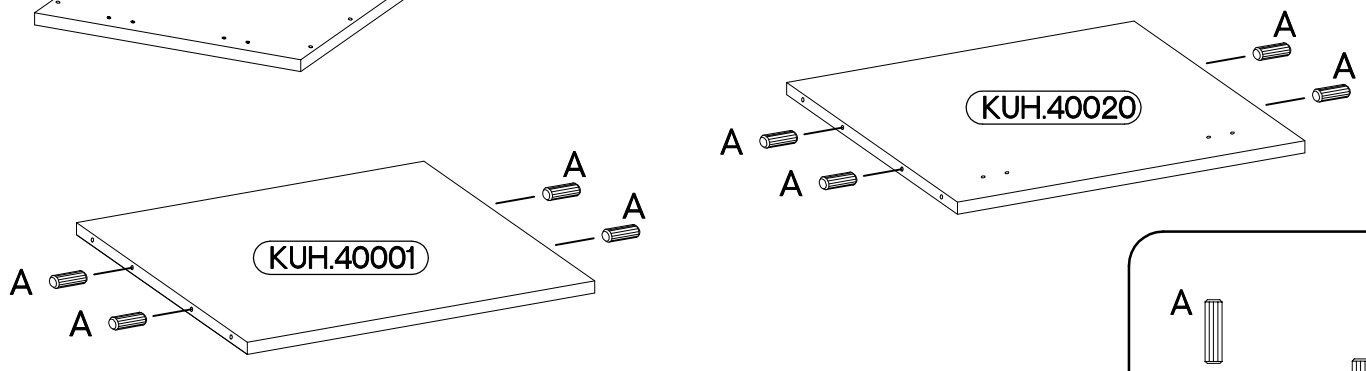
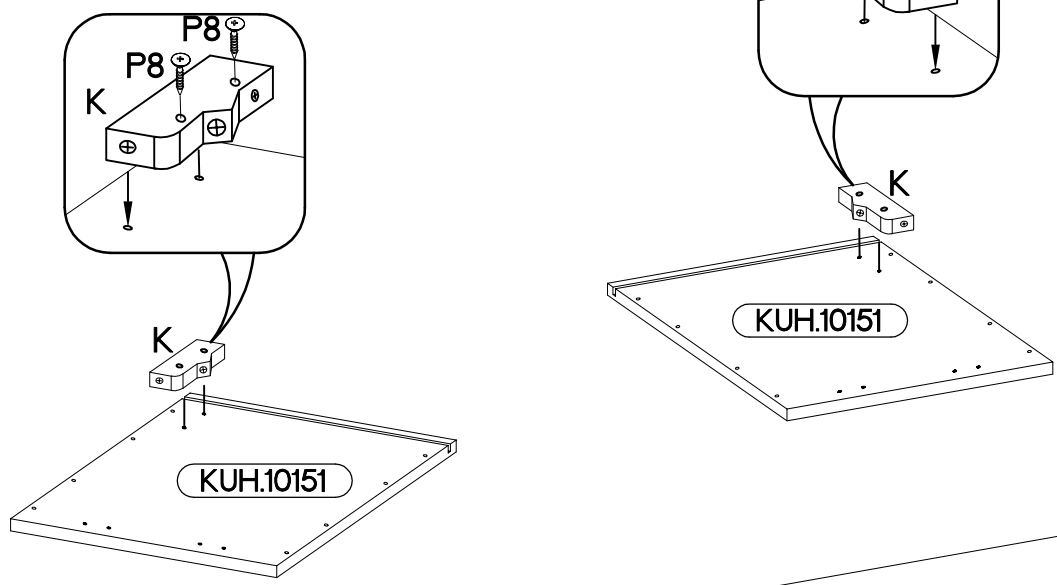
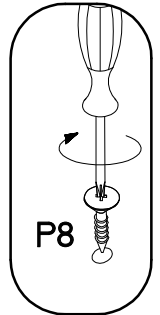
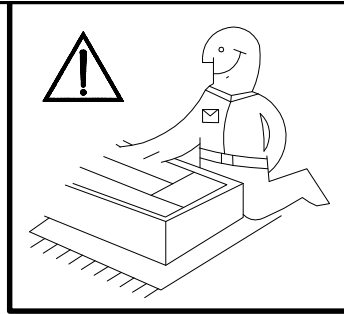
<p>±8x30mm A 8</p>	<p>6,4 x 50mm B 8</p>	<p>E1 8</p>	<p>±35/0mm HG 2</p>	<p>K 2</p>
<p>K24 2</p>	<p>O 1</p>	<p>±3.5x13mm P5 4</p>	<p>±3.0x20mm P7 8-10</p>	<p>±4.0x30mm P8 4</p>



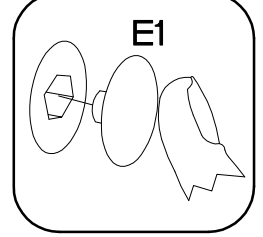
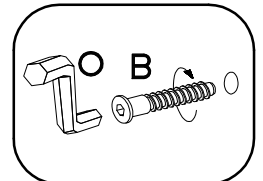
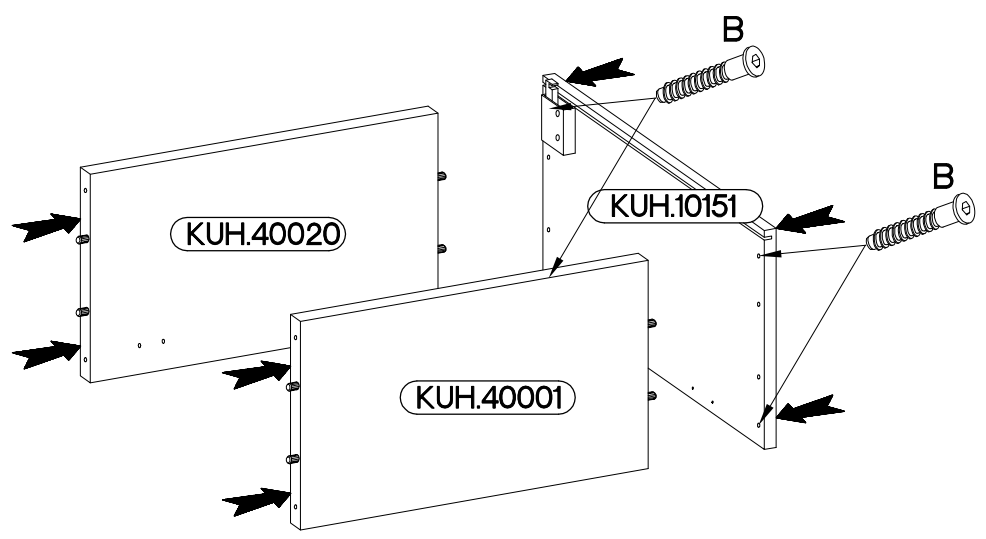
ISM-KUH-01618




1

 +8x30mm A	 +4.0x30mm P8	 K
8	4	2



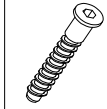
2



 6,4 x 50mm B	 O	 E1
4	1	4

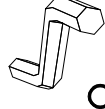
3

6,4 x 50mm



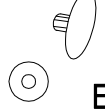
B

4



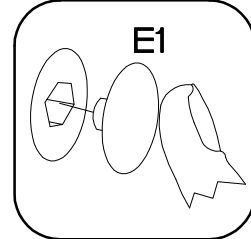
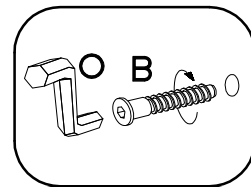
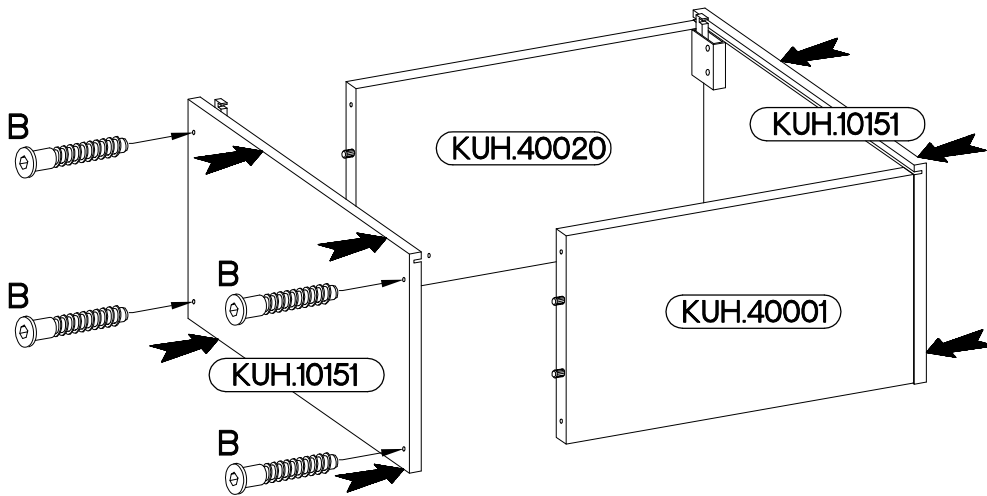
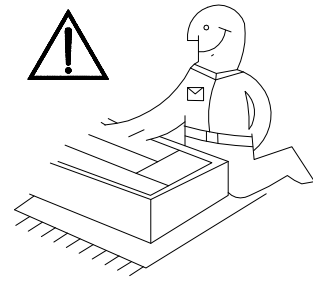
O

1



E1

4



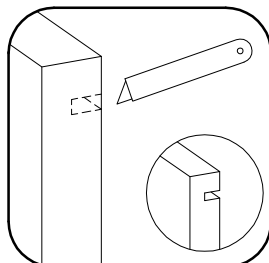
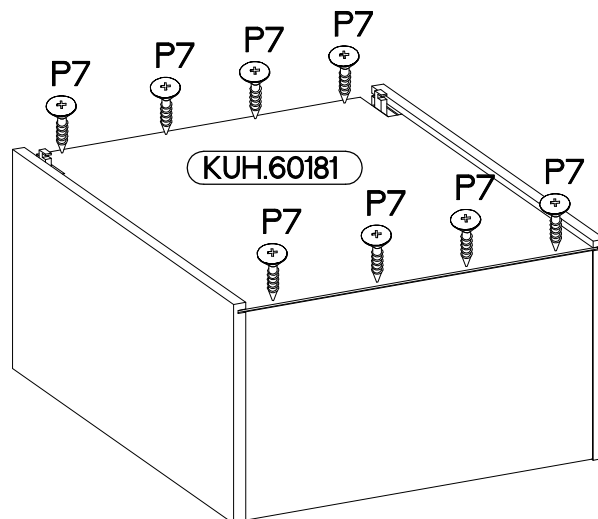
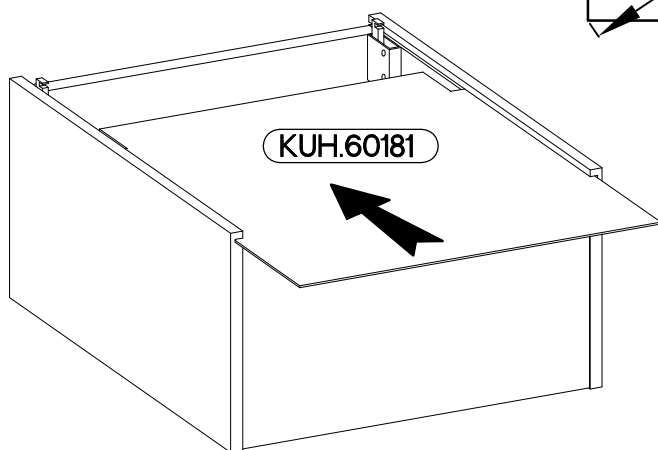
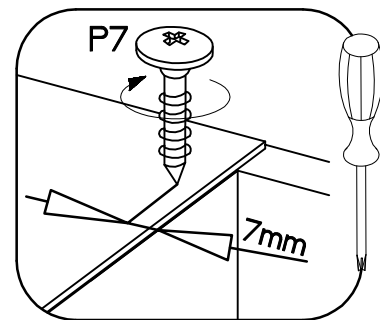
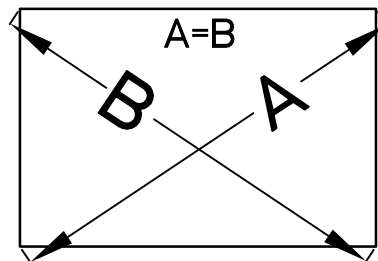
4

±3.0x20mm



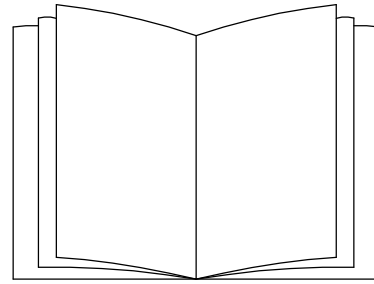
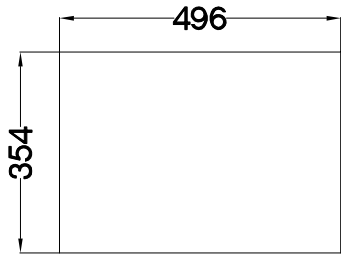
P7

8-10

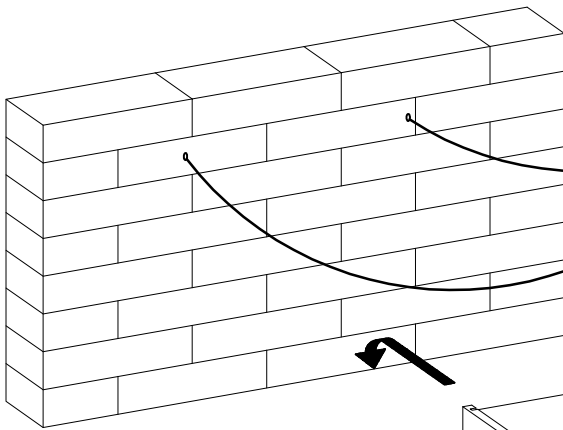


5

FRONT

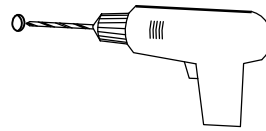


6

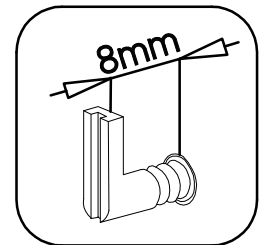
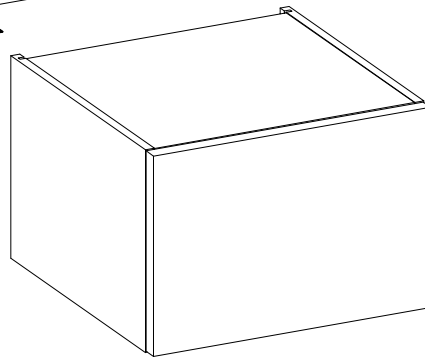
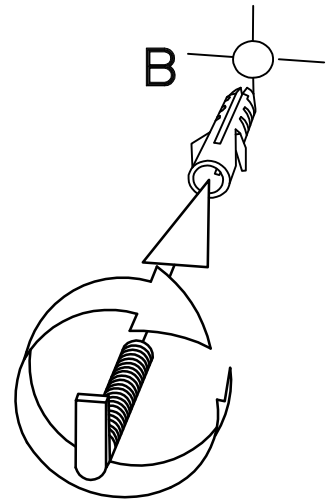


A

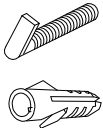
Ø10mm



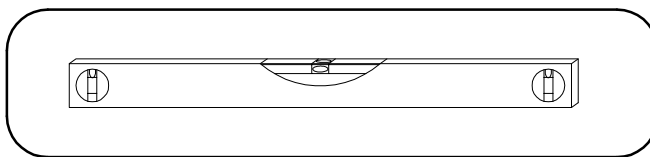
B



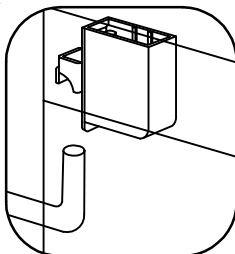
x2



SHOP



C



D

