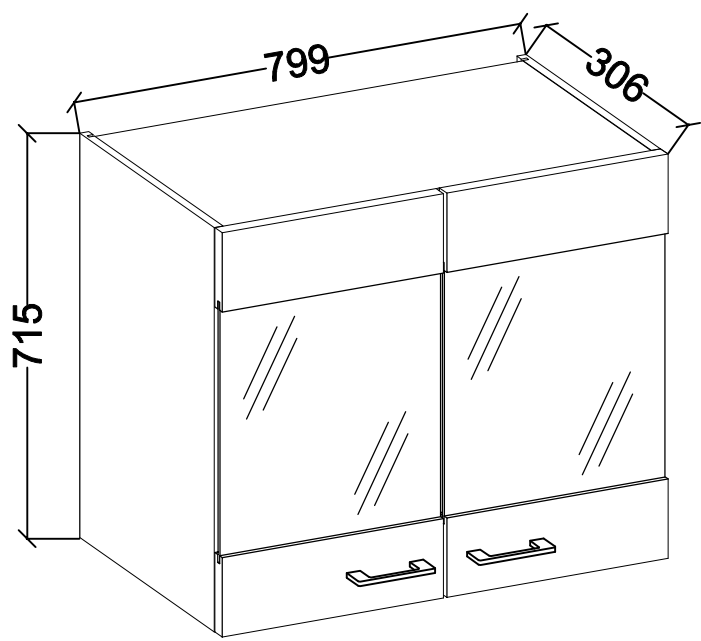
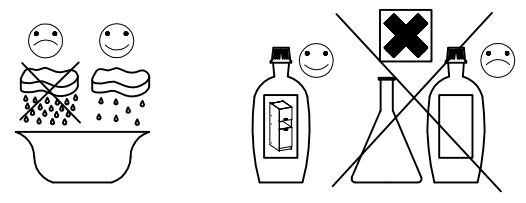
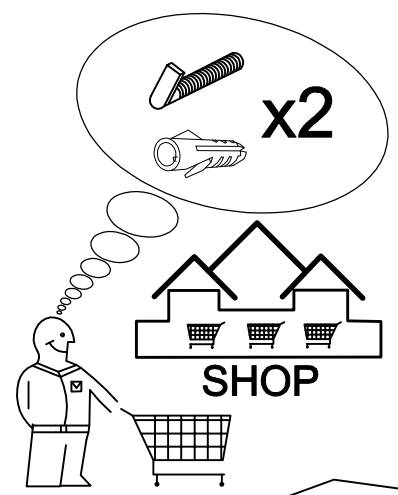
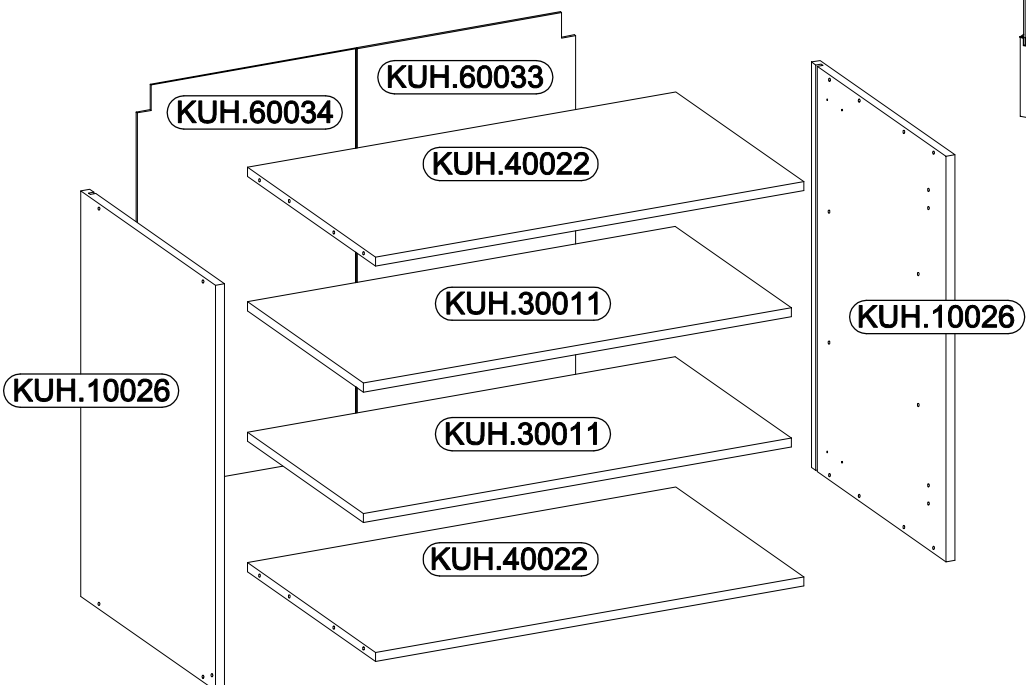
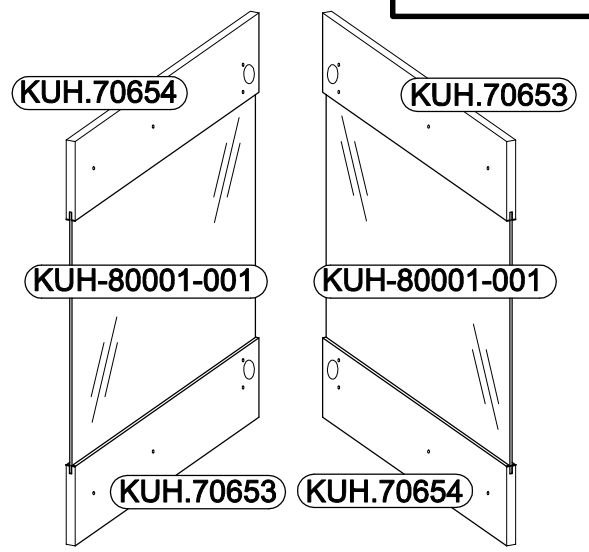
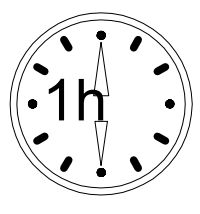


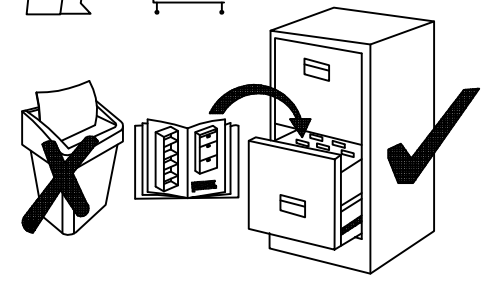
80 GS-72 2F



KUH.30011
KUH.40022

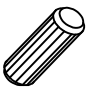

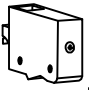


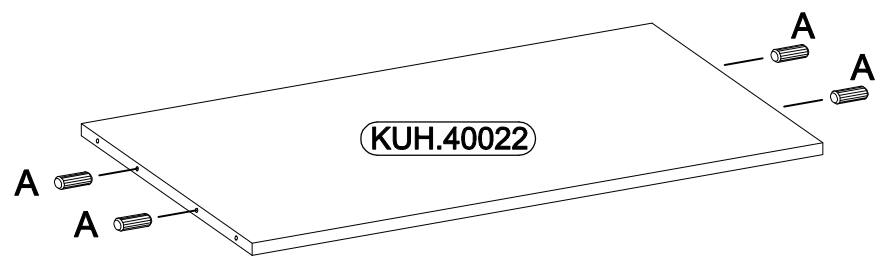
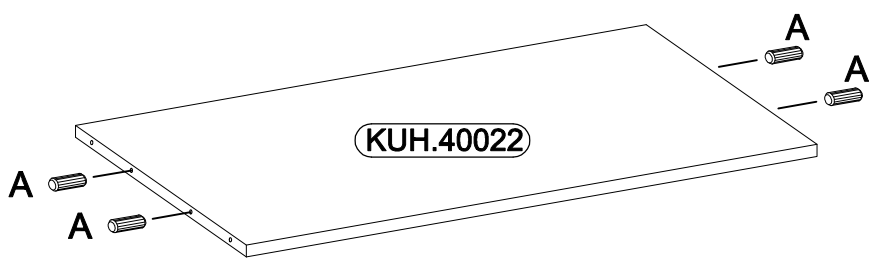
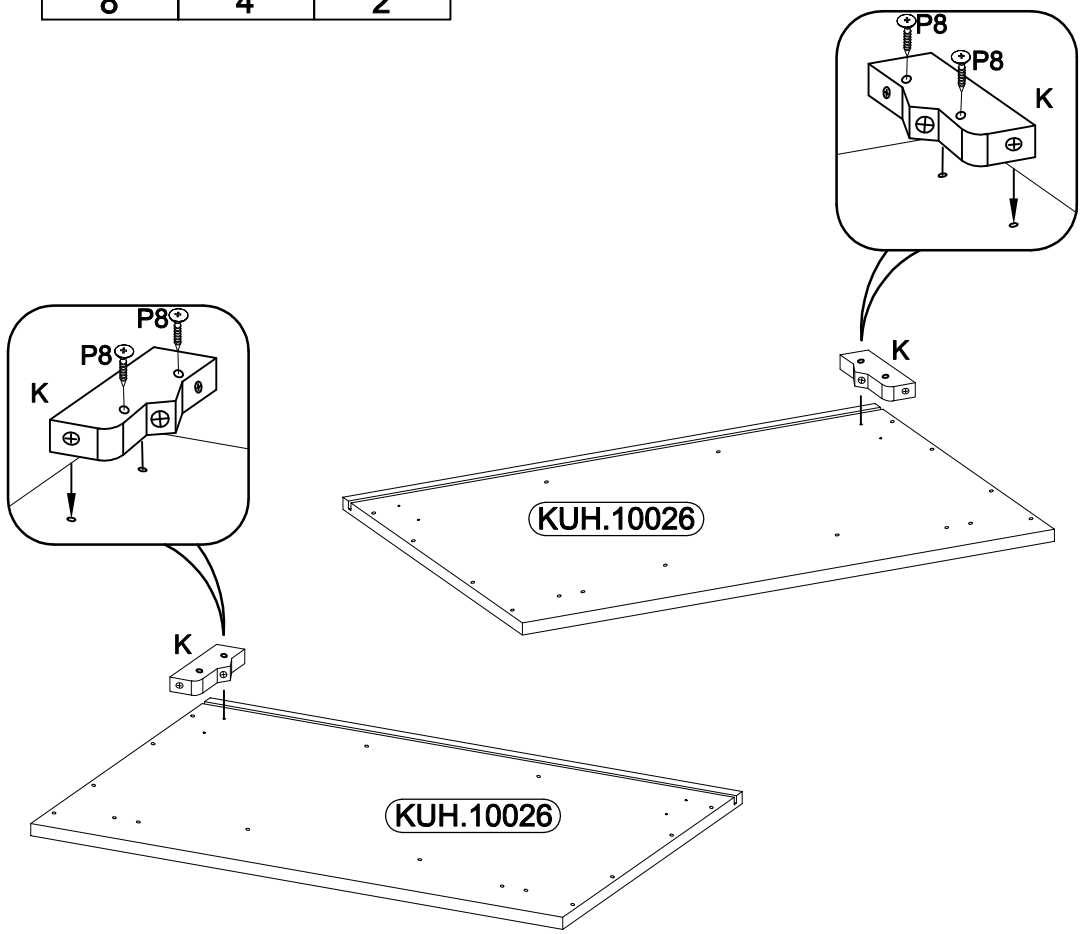
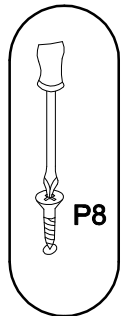
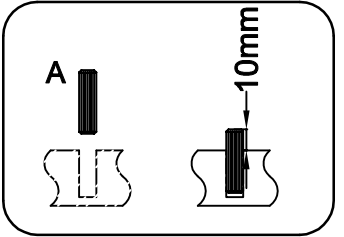
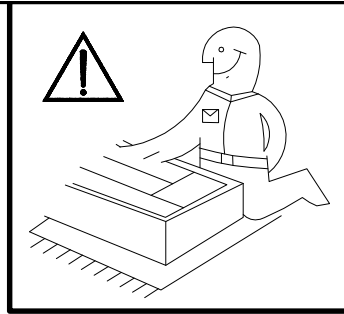
Ø8x30mm A 8	6,4 x 50mm B 8	E1 8	Ø35/0mm [CD] HG 4	Ø5/19mm J 8	K 2	L1=680mm L1 1
O 1	Ø3.5x13mm P5 8	Ø3.0x20mm P7 10-15	Ø4.0x30mm P8 4	Ø4.0x30mm R2 4	S 2	0,05 O11 1




ISM-KUH-01548

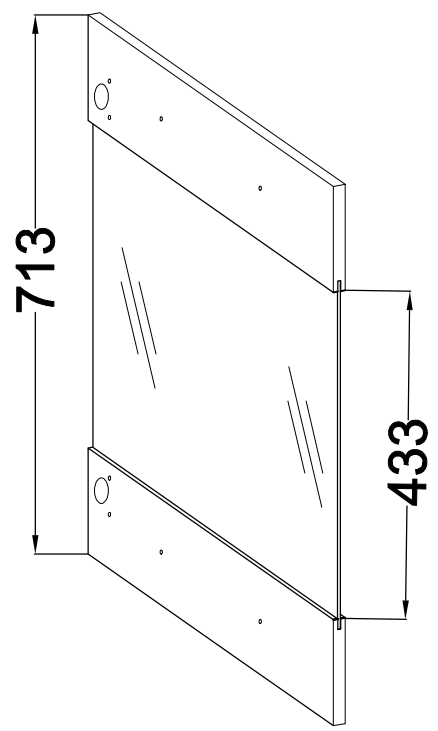
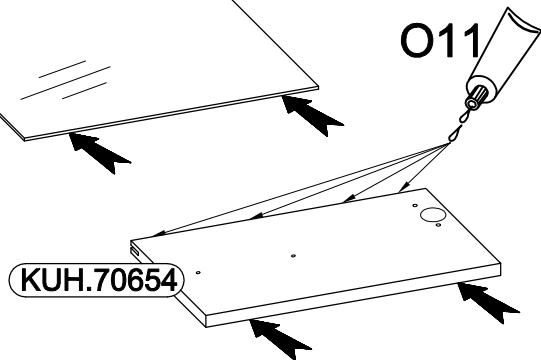
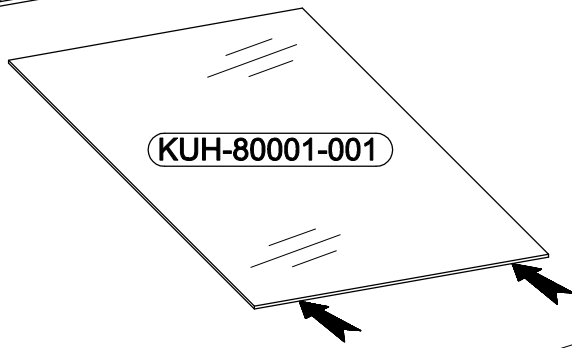
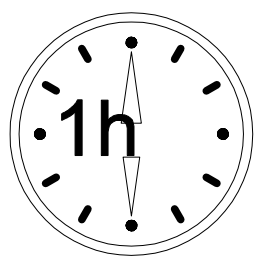
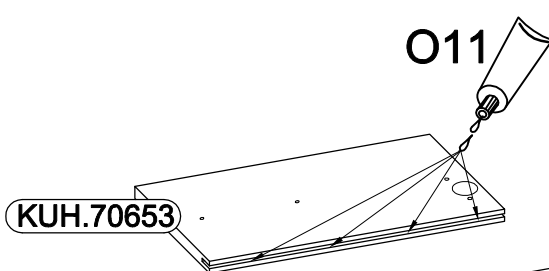
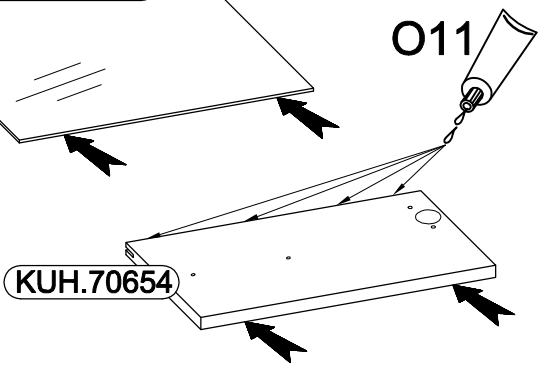
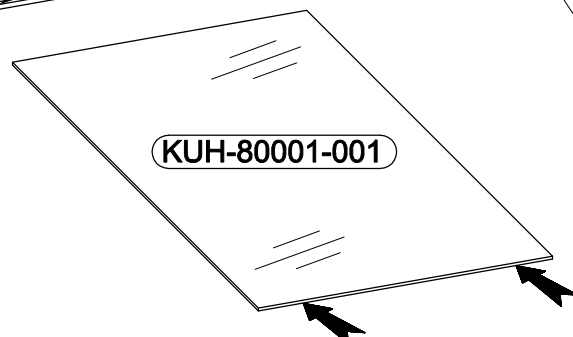
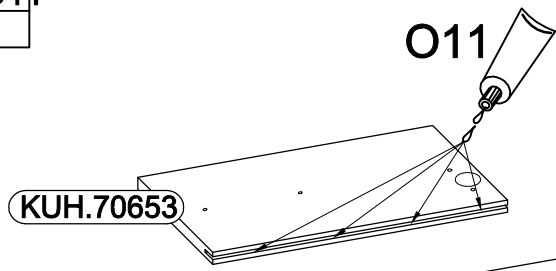
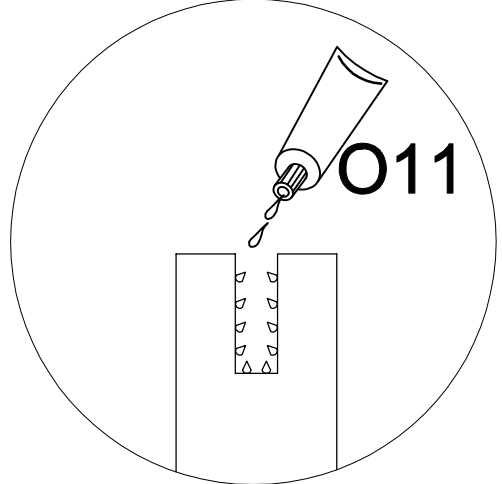
1

$\varnothing 8 \times 30 \text{mm}$  A 8	$\varnothing 4.0 \times 30 \text{mm}$  P8 4	 K 2
---	--	--



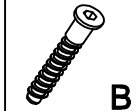
2

0,05
 Lein
O11
1



3

6,4 x 50mm



B

4



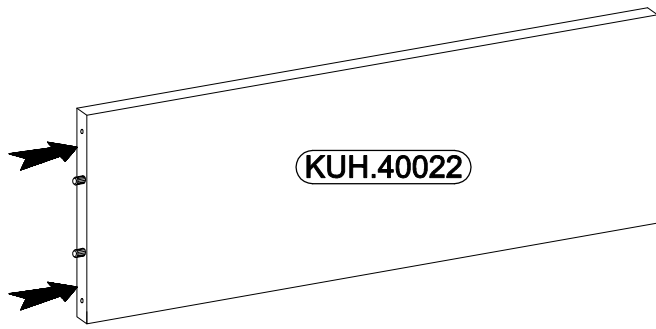
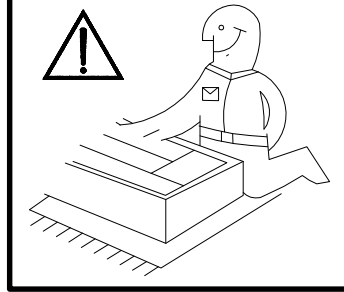
O

1

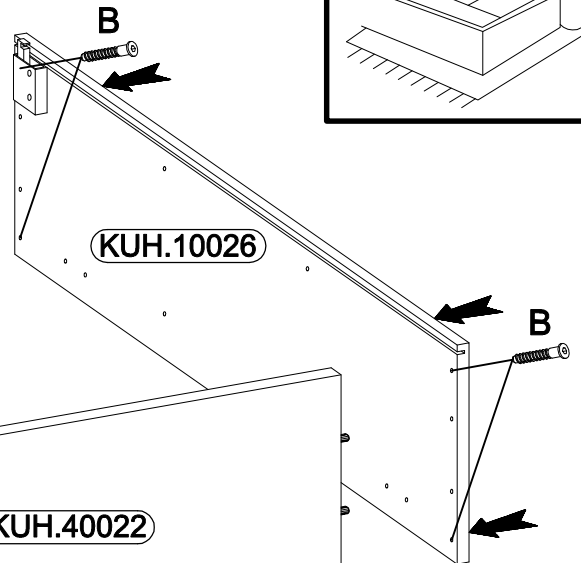


E1

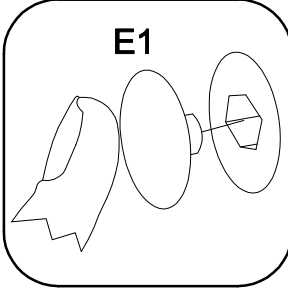
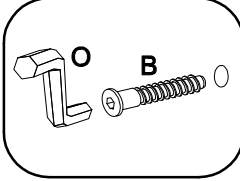
4



KUH.4002



KUH.10026



4

6,4 x 50mm



B

4



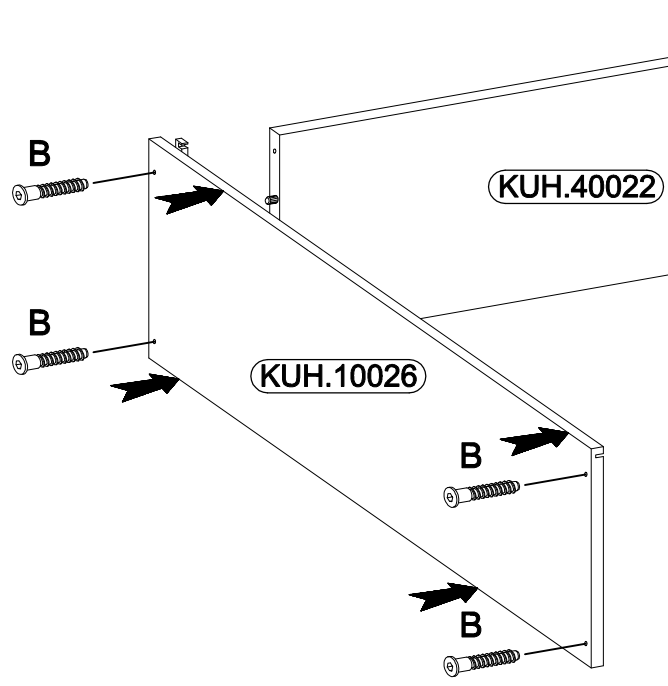
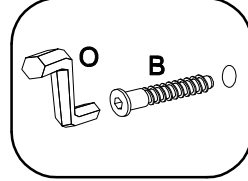
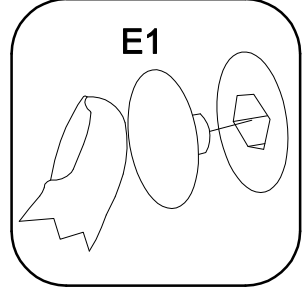
O

1



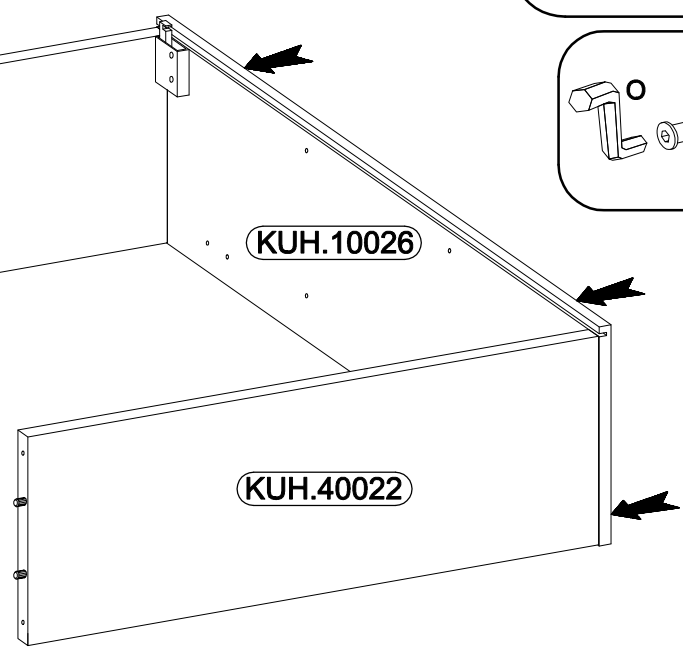
E1

4



KUH.4002

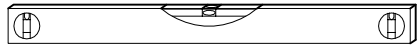
KUH.10026



KUH.10026

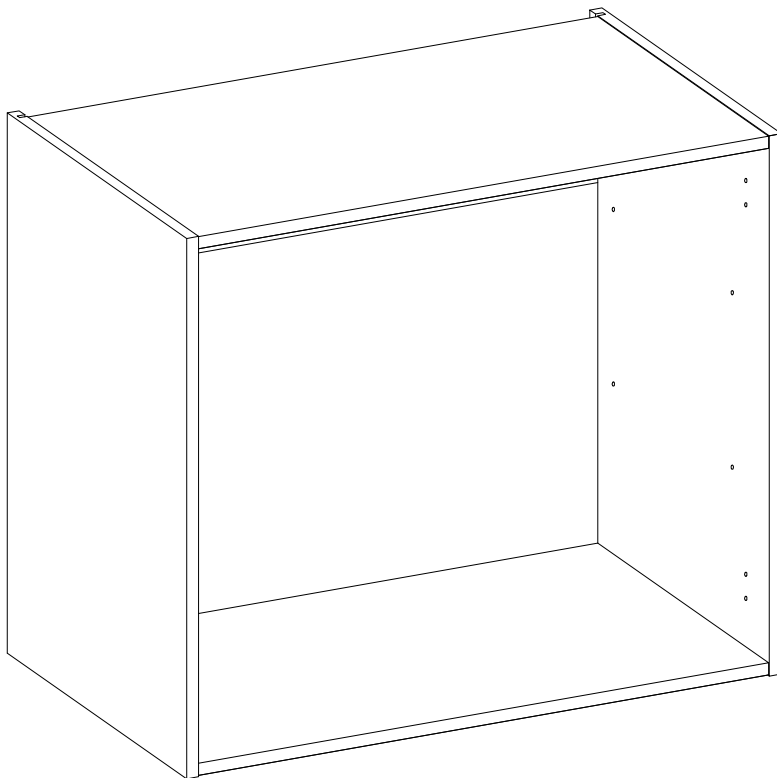
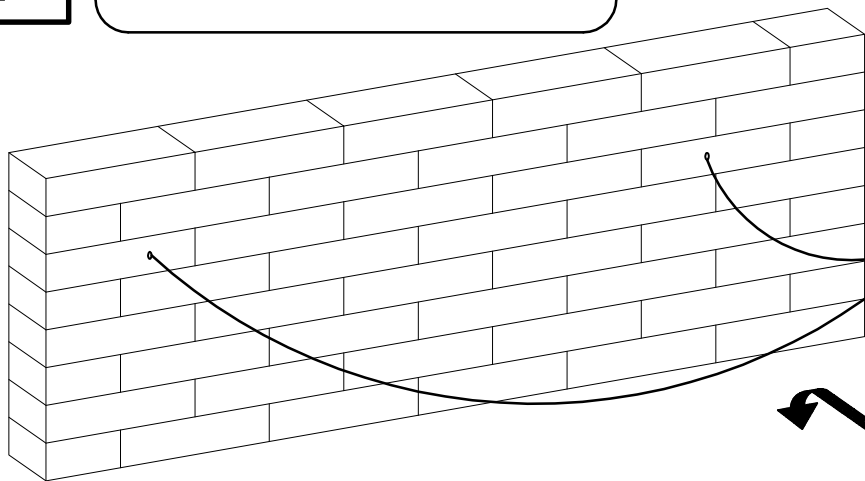
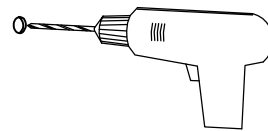
KUH.4002

7

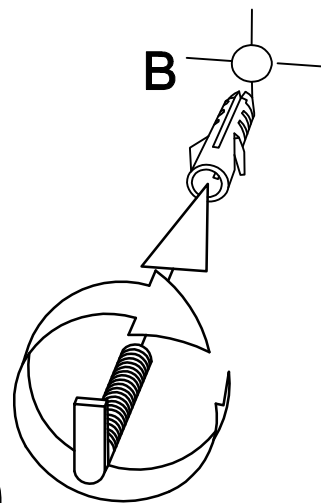


A

Ø10mm



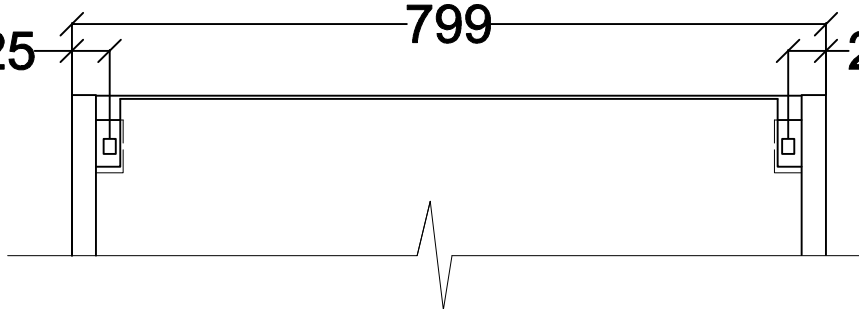
B



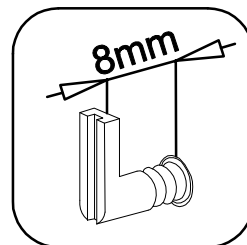
799

25

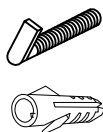
25



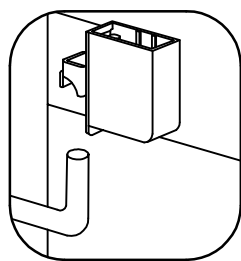
8mm



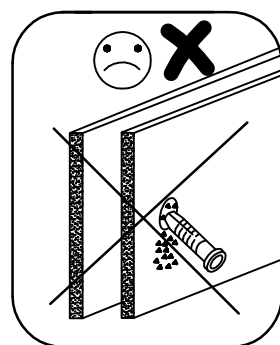
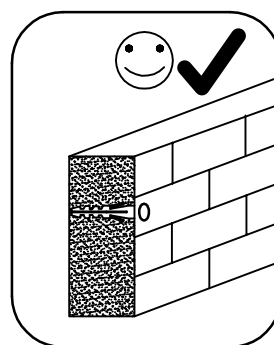
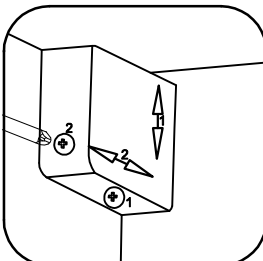
x2



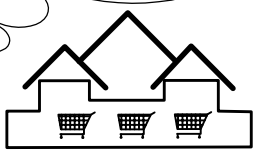
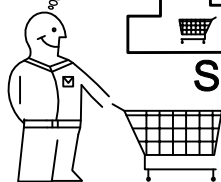
C



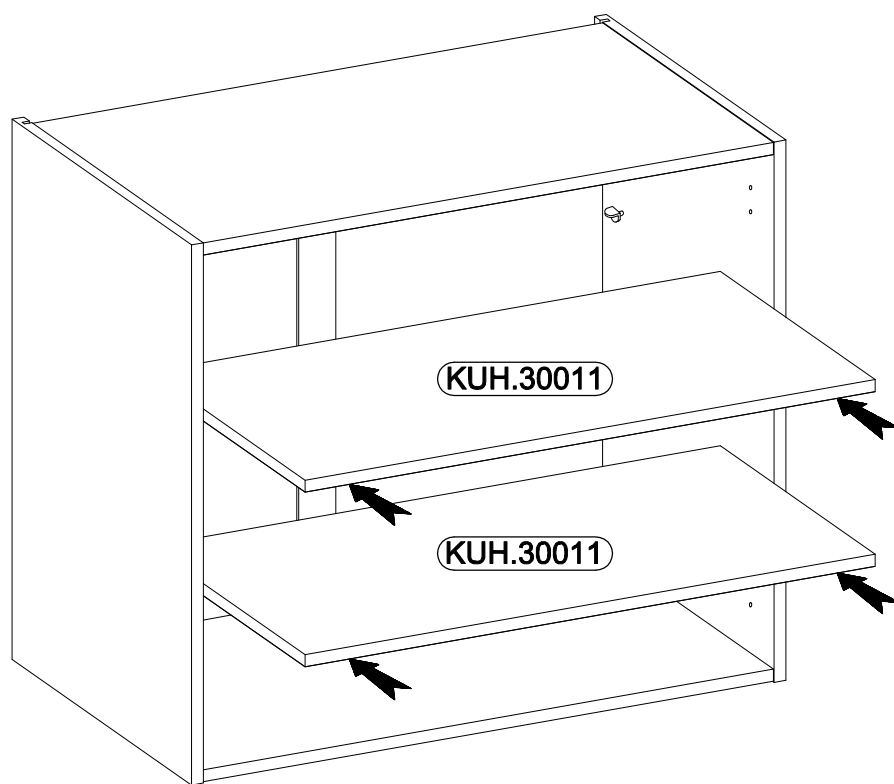
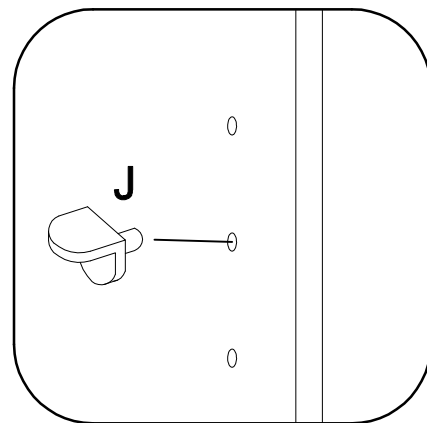
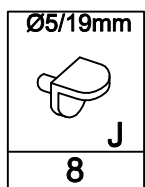
D



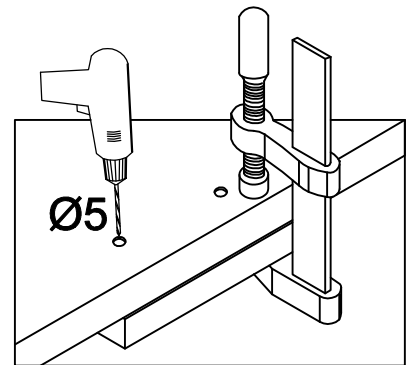
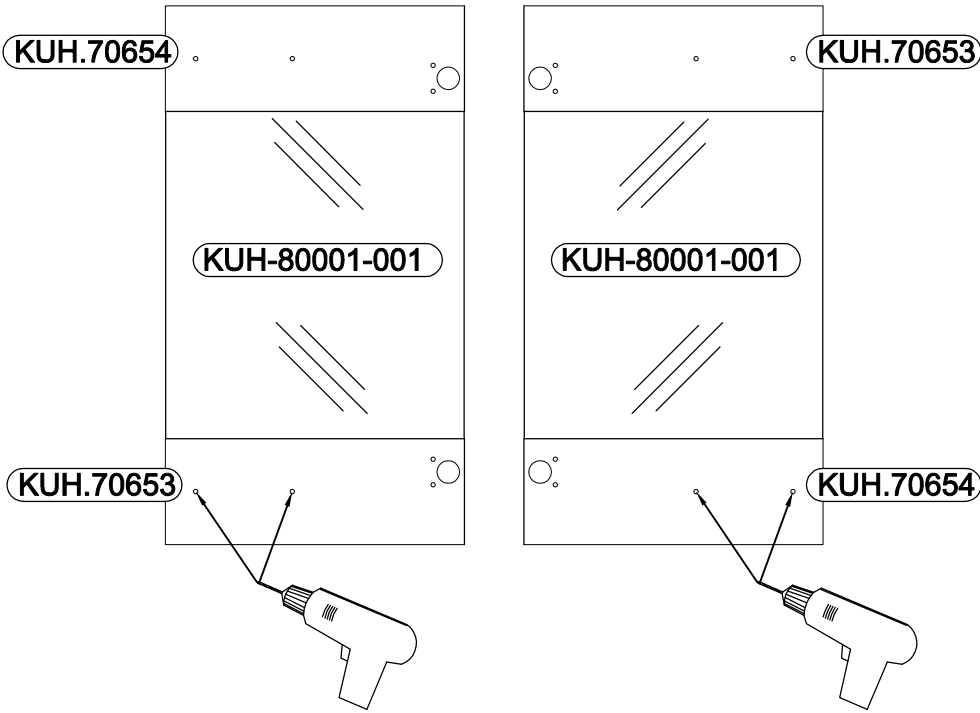
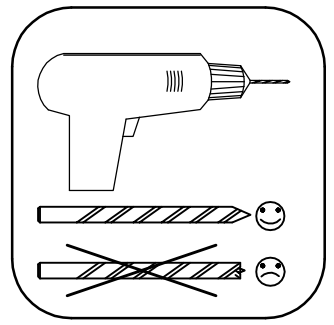
SHOP



8

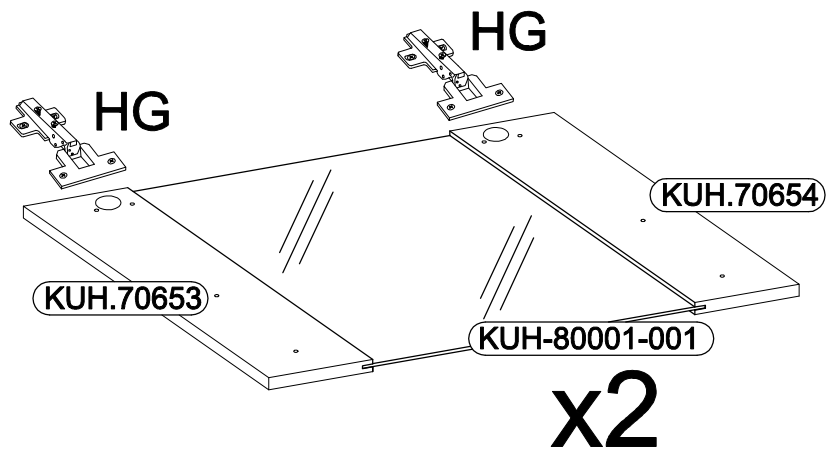
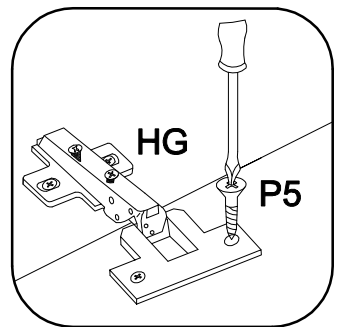




9



10

Ø35/0mm	Ø3.5x13mm
[CD] HG	P5
4	8



Ø4.0x30mm	
	
R2	S
4	2

