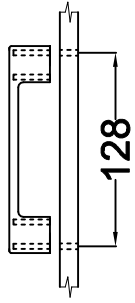
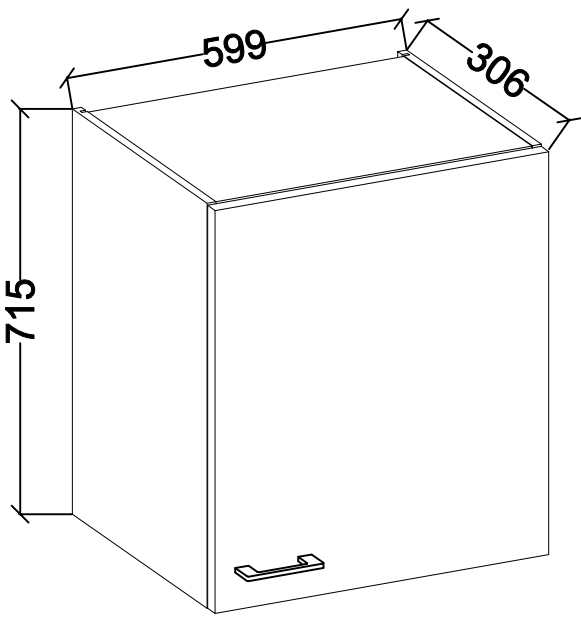
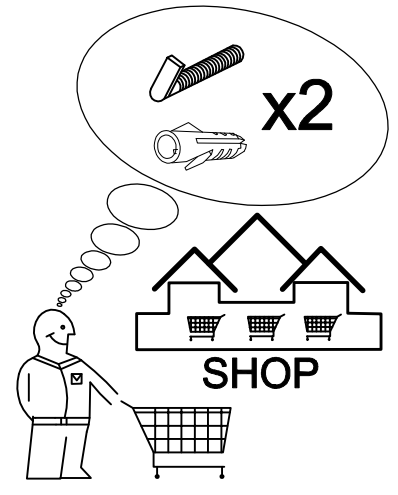
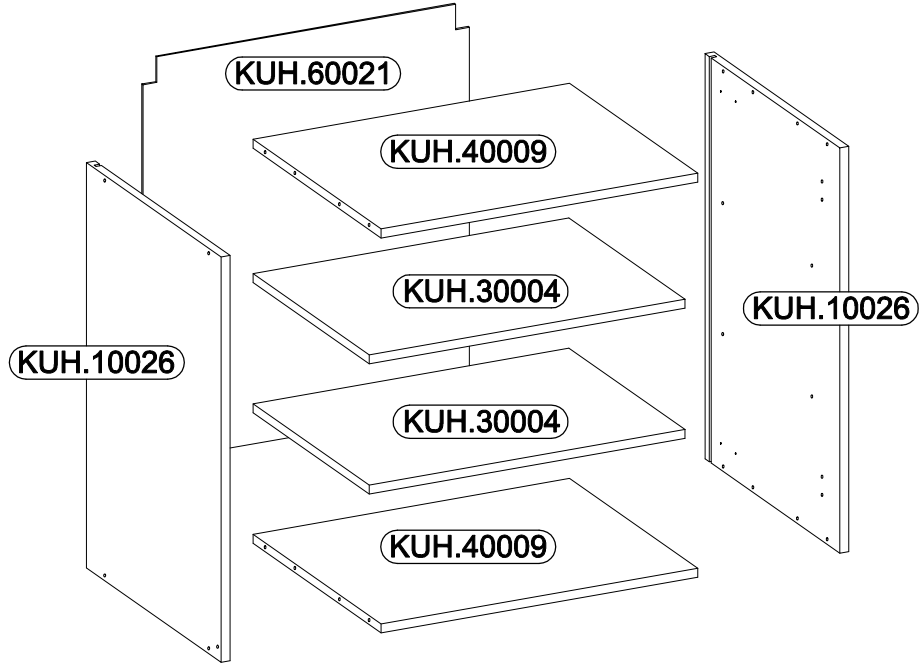
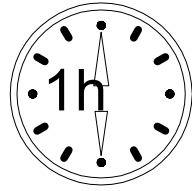


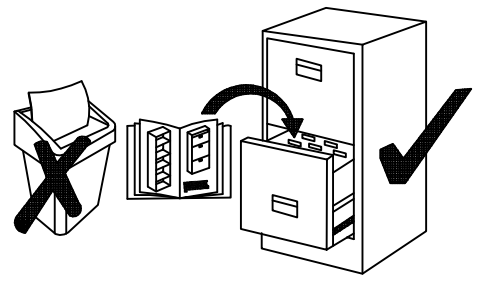
60 G-72 1F



KUH.30004
KUH.40009

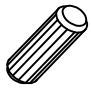

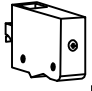


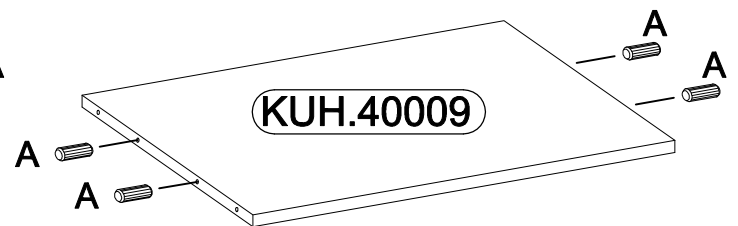
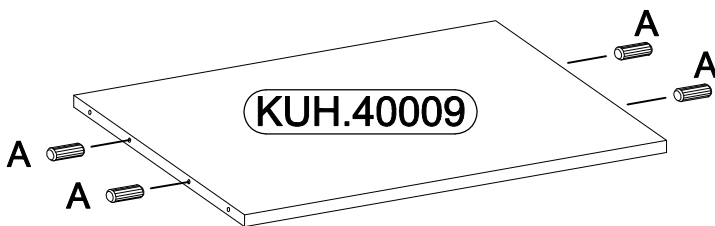
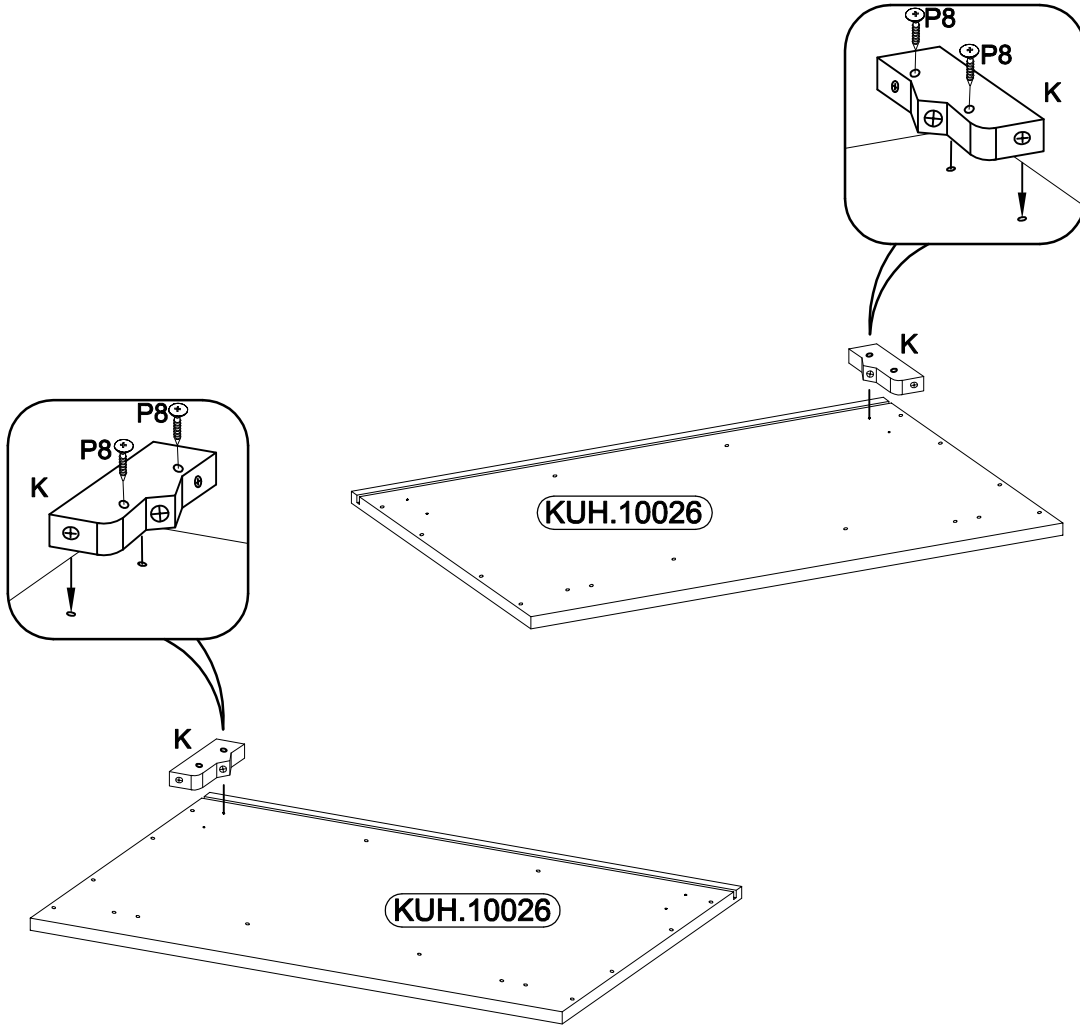
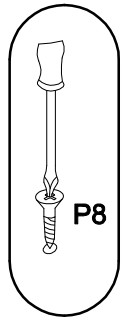
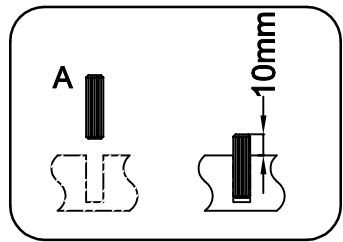
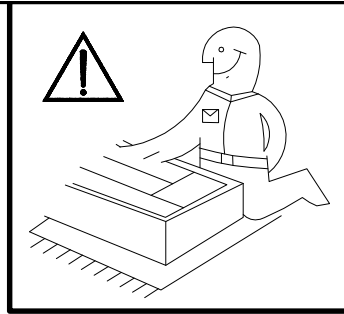
Ø8x30mm A 8	6,4 x 50mm B 8	 E1 8	Ø35/0mm HG 2	Ø5/19mm J 8	 K 2
 O 1	Ø3.5x13mm P5 4	Ø3.0x20mm P7 8-10	Ø4.0x30mm P8 4	 S 1	Ø4.0x30mm R2 2




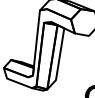

ISM-KUH-01544

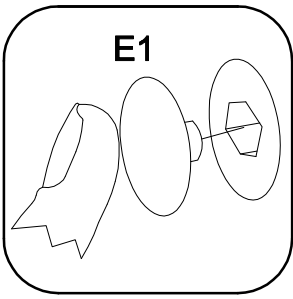
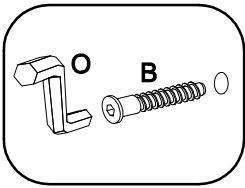
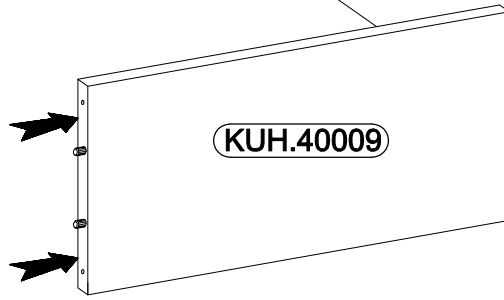
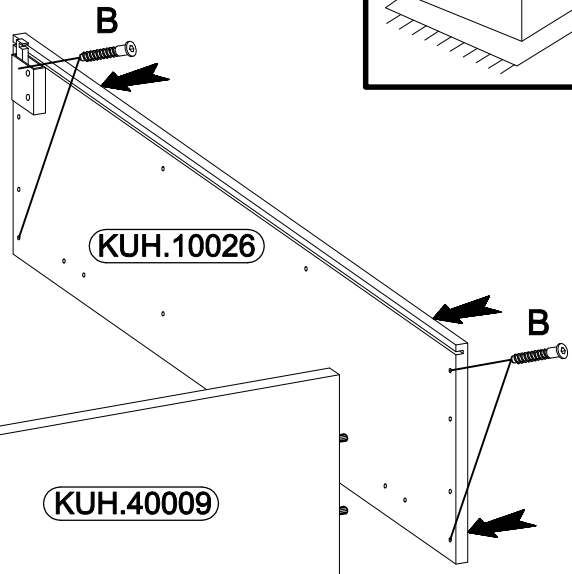
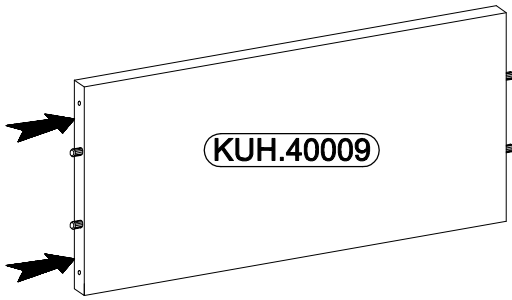
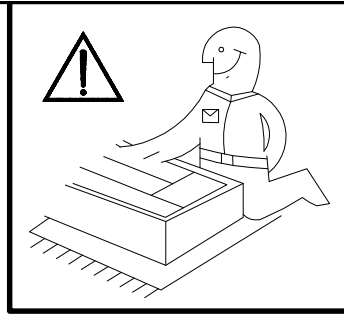
1

 A	 P8	 K
8	4	2


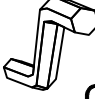



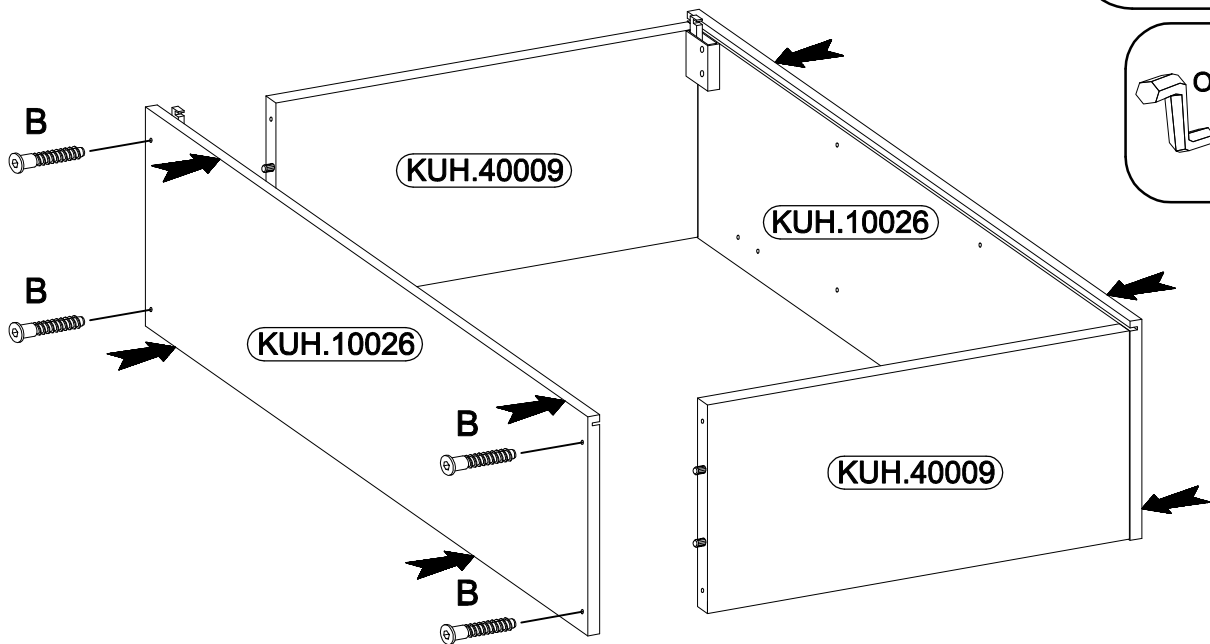
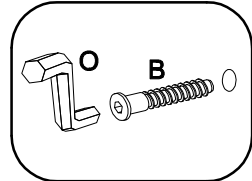
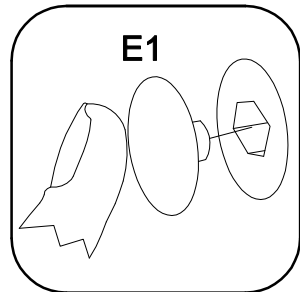
2

6,4 x 50mm		
		
B	O	E1
4	1	4

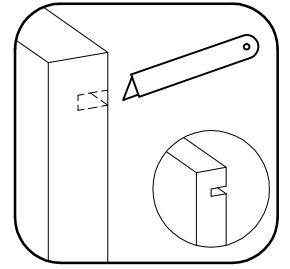
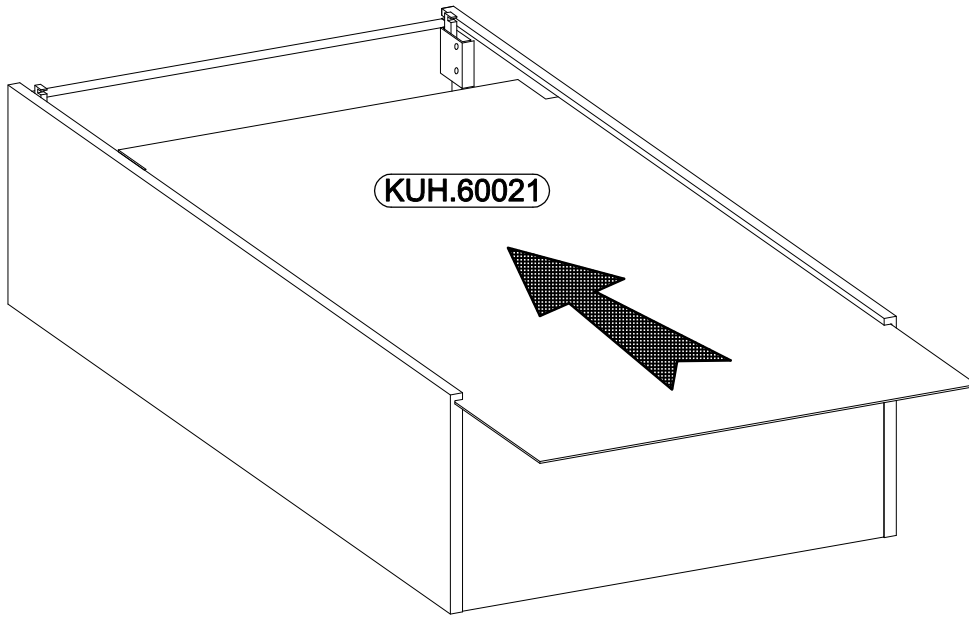
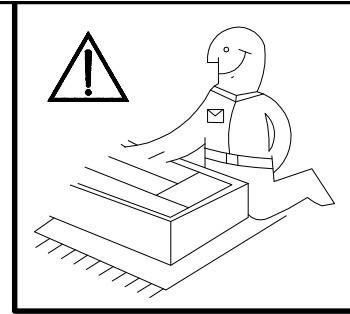
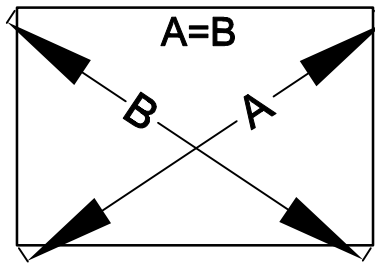


3

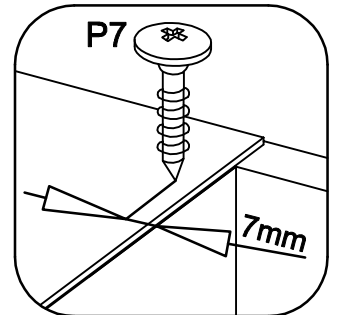
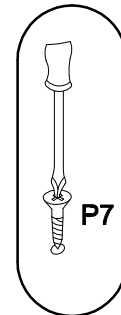
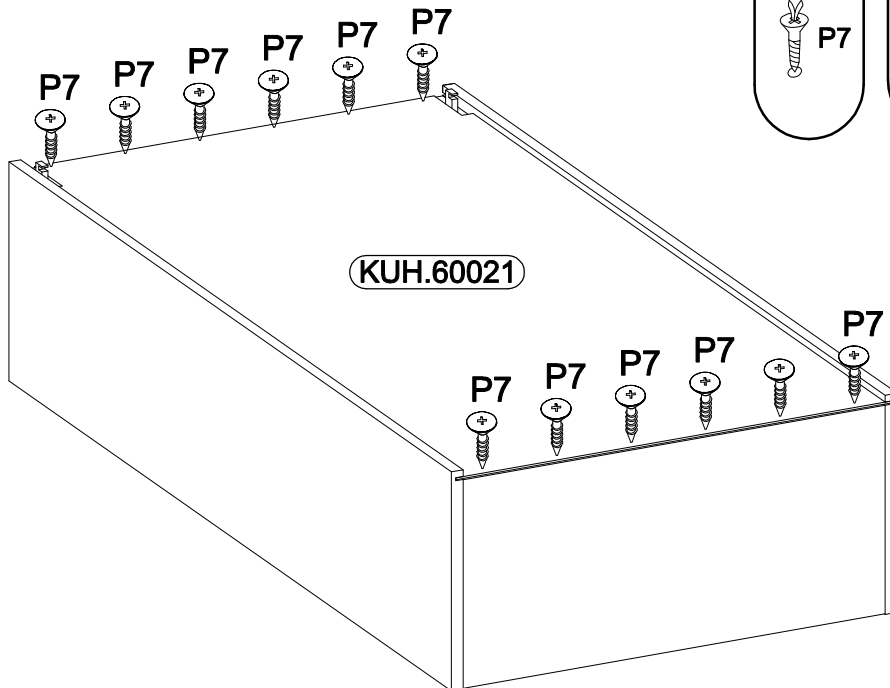
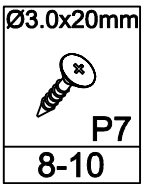
6,4 x 50mm		
		
B	O	E1
4	1	4

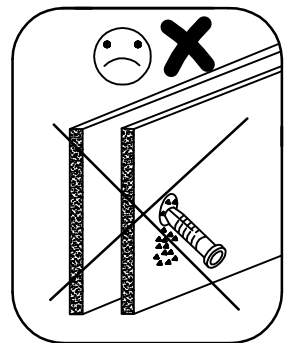
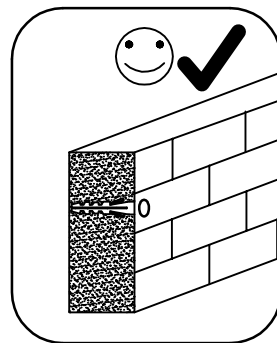
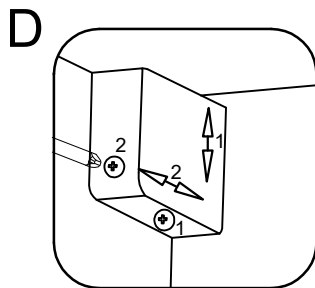
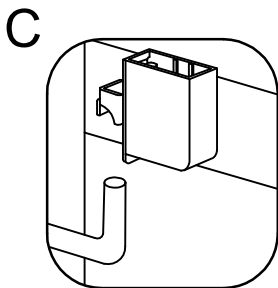
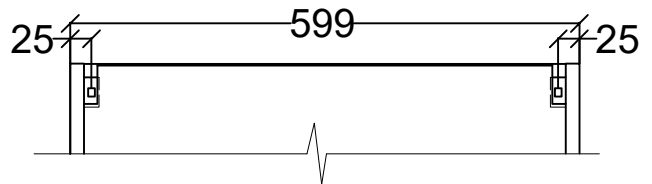
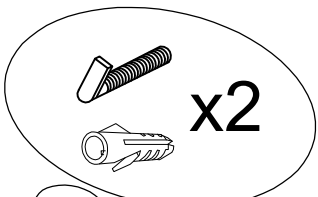
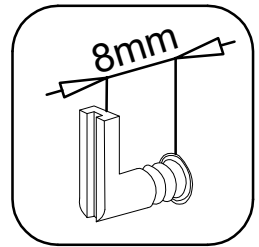
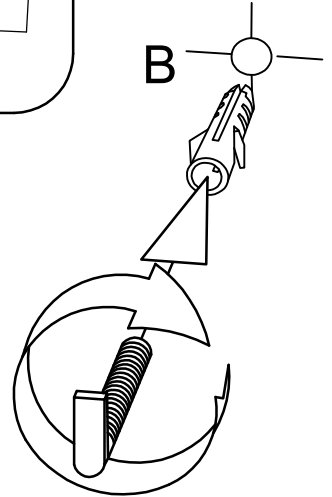
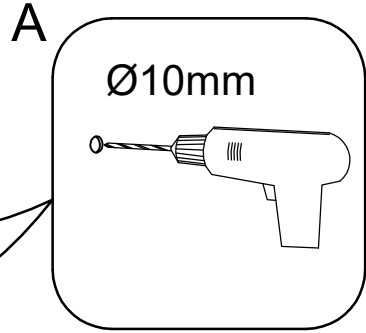
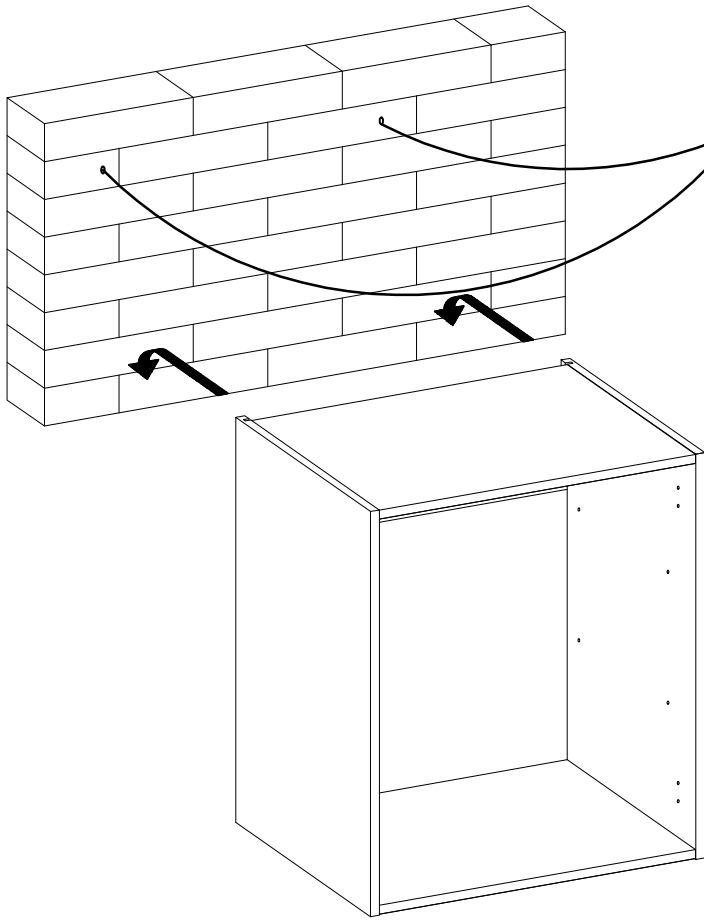
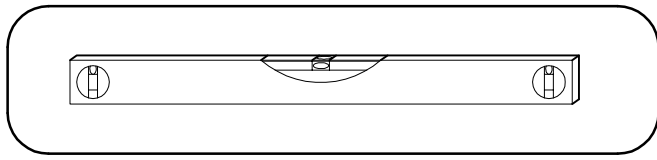


4



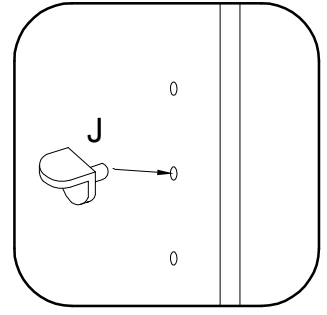
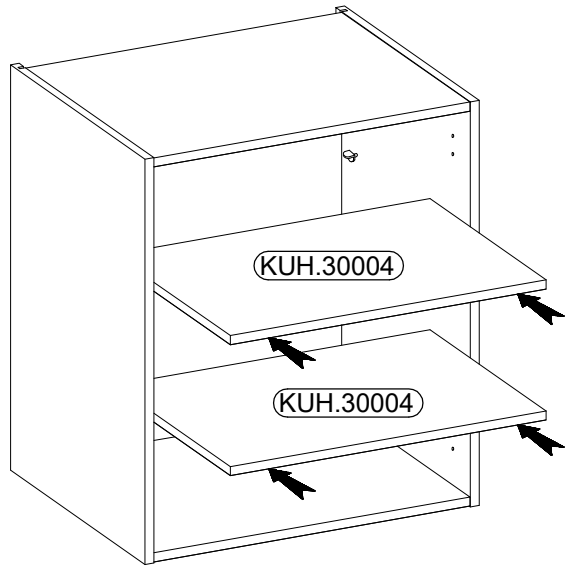
5



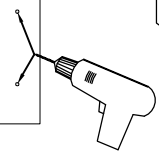
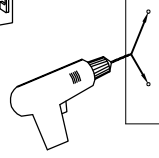
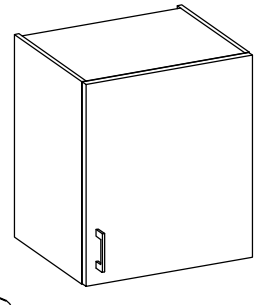
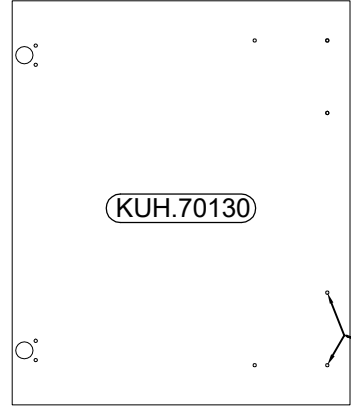
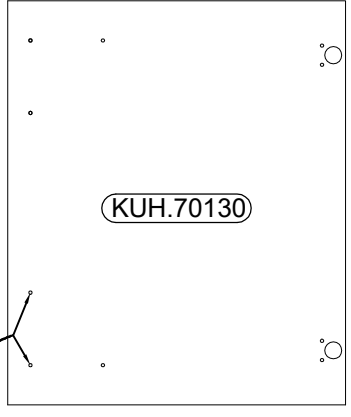
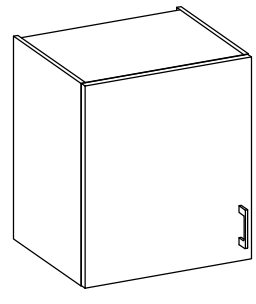
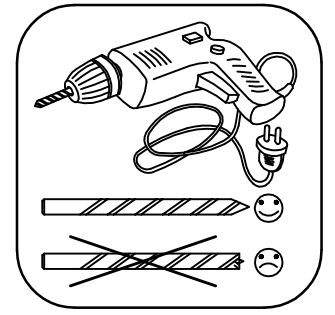
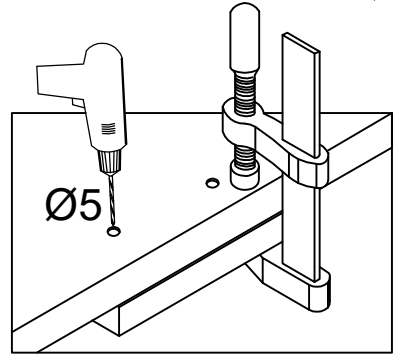
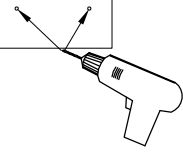
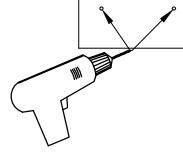
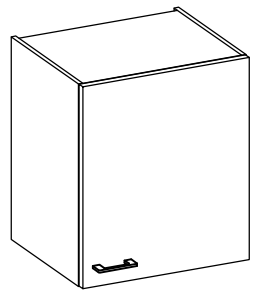
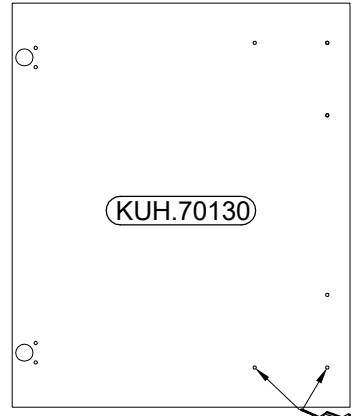
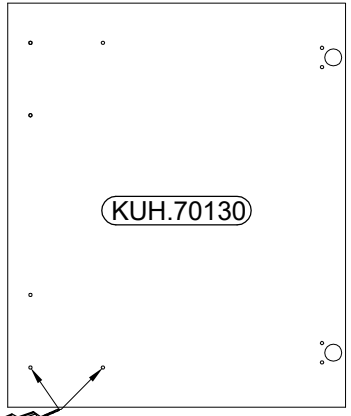
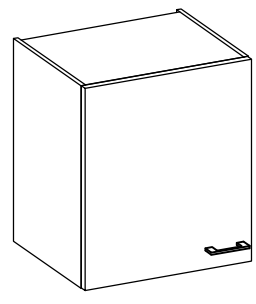


7

Ø5/19mm
J
8

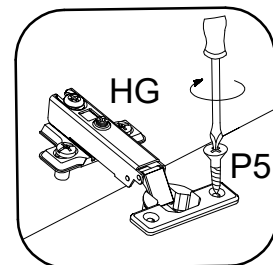
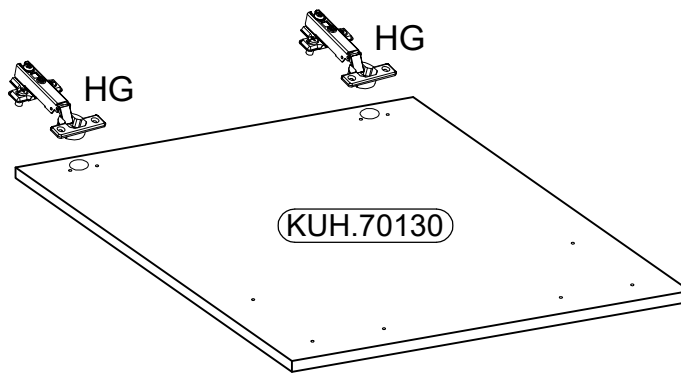


8



9

Ø35/0mm [CD] HG 2	Ø3.5x13mm P5 4
-------------------------	----------------------



10

Ø4.0x30mm R2 2	S 1
----------------------	--------

